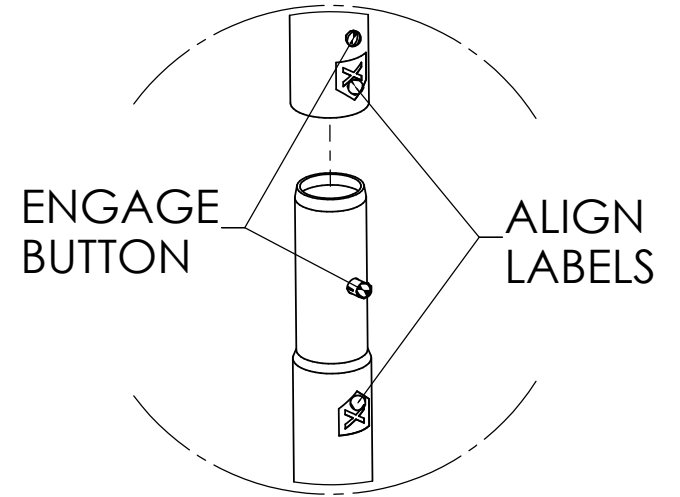
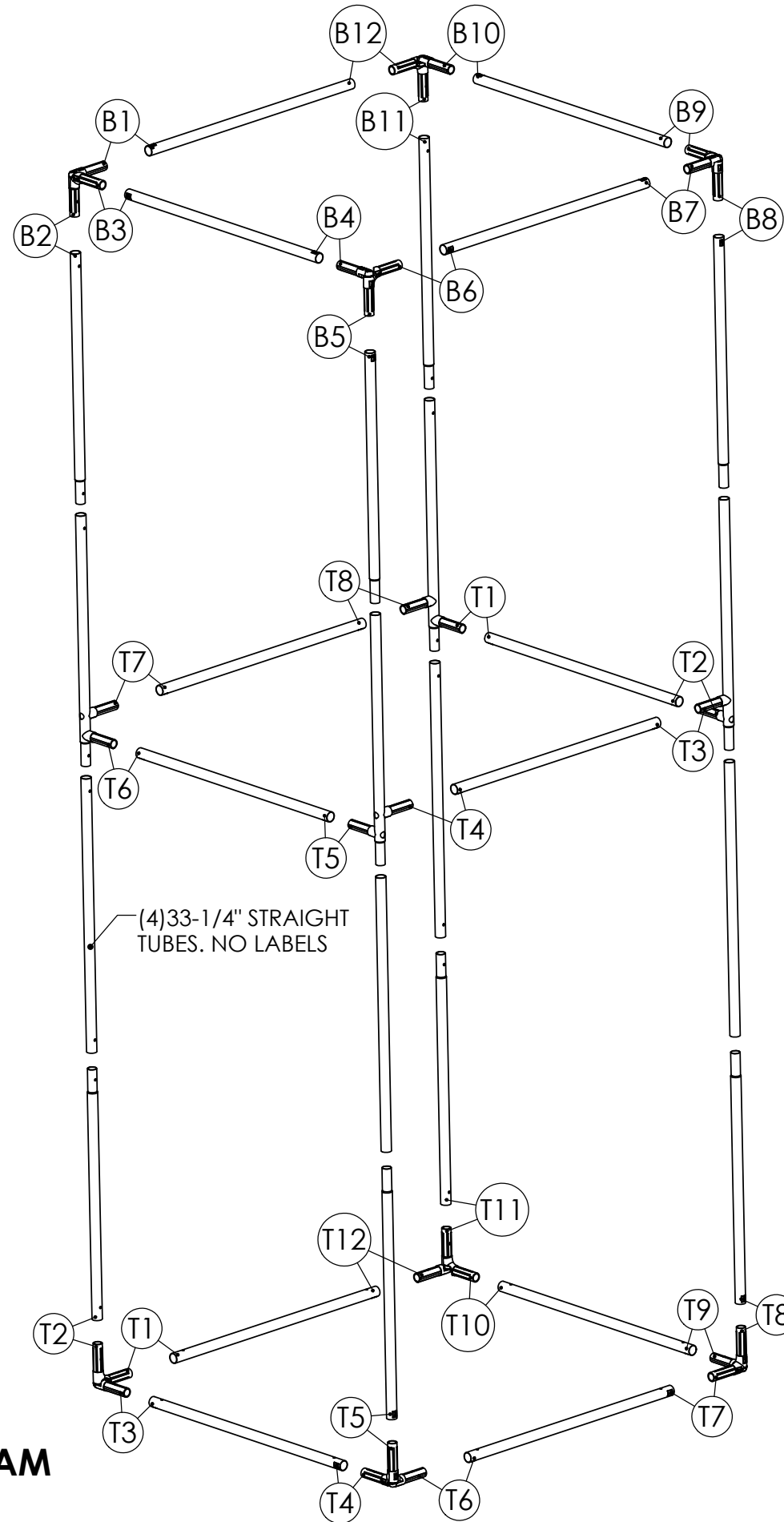


3' x 3' x 10' TOWER ASSEMBLY DIAGRAM



GENERAL TUBE ASSEMBLY

NOTES: UNLESS OTHERWISE SPECIFIED
1. MATCH NUMBERED LABELS AS SHOWN.

THIRD ANGLE PROJECTION 		THE DOCUMENT AND DATA DISCLOSED HEREIN OR HEREWITH NOT TO BE REPRODUCED, USED, OR DISCLOSED IN WHOLE OR IN PART TO ANYONE WITHOUT PERMISSION OF NIEDO GROUP, INC.
DIMENSIONS ARE IN MILLIMETERS TOLERANCES UNLESS OTHERWISE SPECIFIED		NIEDO GROUP, INC. 5465 SW WESTERN AVE. BEAVERTON, OR 97005
3'x3'x10' TOWER ASSEMBLY INSTRUCTION		
SIZE: B	DWG. NO.:	REV:
SCALE: 1:24	DO NOT SCALE DRAWING	SHEET 1 OF 1