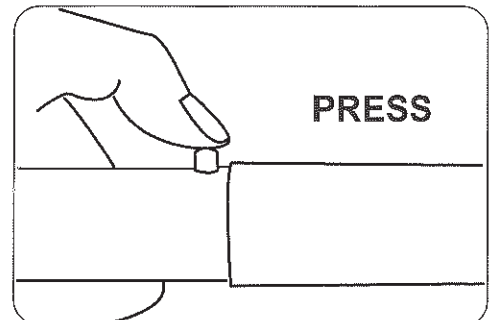
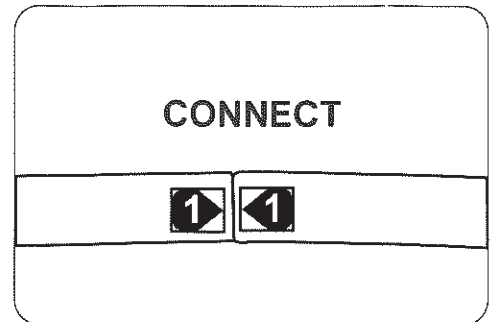
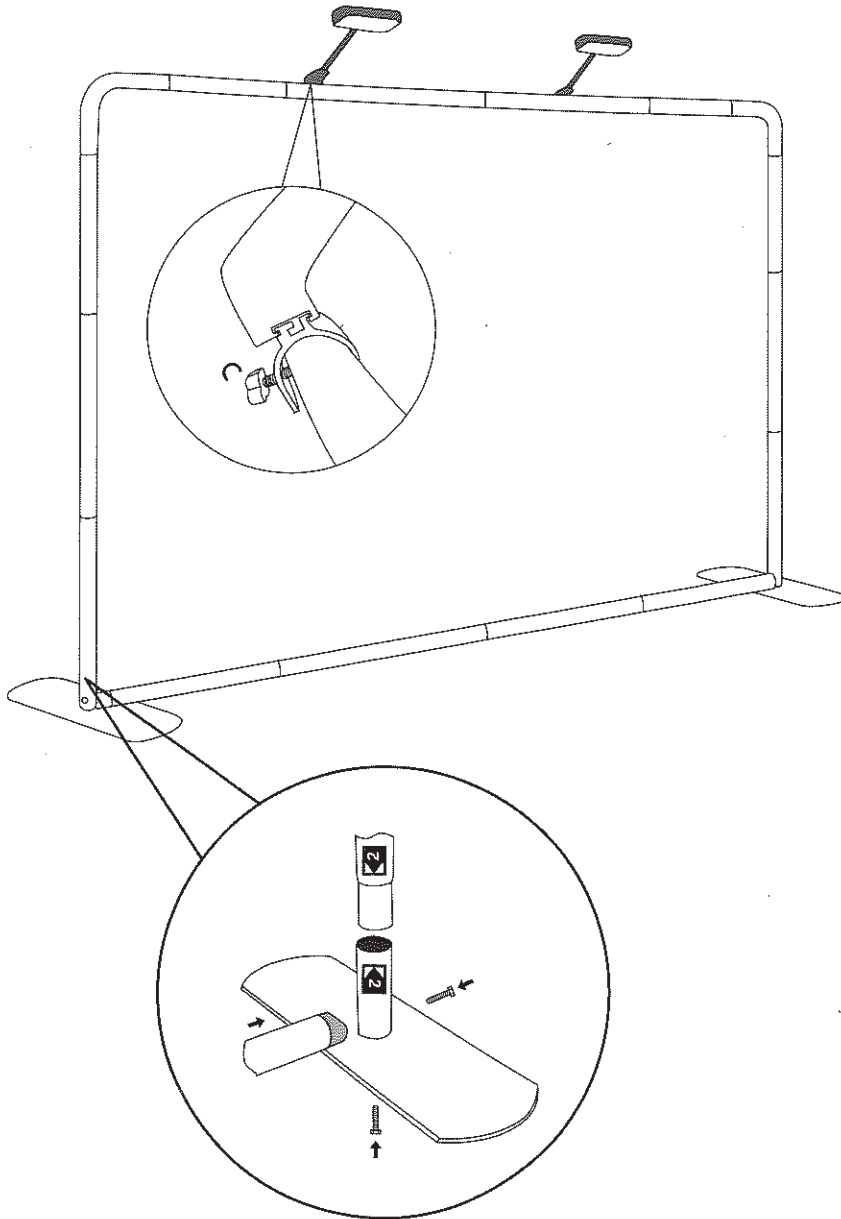


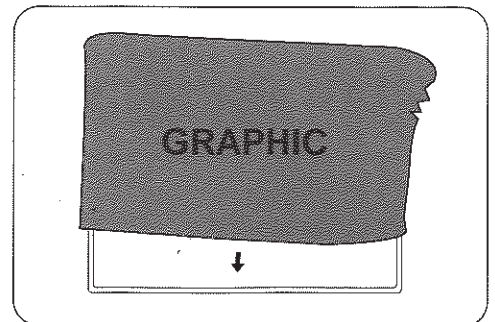
INSTALLATION STEPS

3D-102

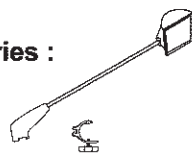
Modern appearance, stable quality, practicability & multiformity
Package and spotlight are available as accessories



If can't snap when dismantle the frame, Pls push the tube forwardly, then push again.



Optional accessories :



C-D8-1
Voltage: 110V/220V
CE certified. Fit on all models.
Color: Silver



CAUTION:
PLEASE READ THE INSTRUCTIONS BEFORE INSTALLING PRODUCTS