

10ft Wave Tube® Curved Display • WT10C1



Single-Sided or Double-Sided Graphic

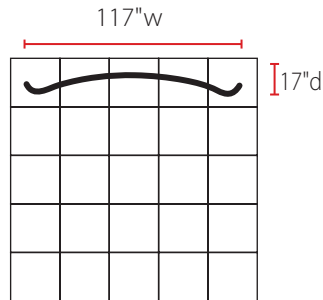
Product Specifications	
Display Dimensions	117" w x 89.5" h x 17" d
Weight	28.5 lbs.
Box Dimensions	13" w x 53" h x 10" d
Case Dimensions	12" w x 52" h x 10" d



About This Product

Our Wave Tube® series of displays feature lightweight, easy-to-assemble aluminum tube frames, which are then snugly zipped up inside of our dye-sublimation printed custom fabric graphics.

The Wave Tube® 10' Curved is great to be used alone or in combination to fill a larger space. The pillowcase design makes it easy to upgrade to front and back graphics to use in the middle of a space or flip it around to give your booth two different options with one cover.



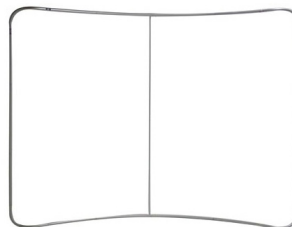
Aerial grid of 10' x 10' space



Side View

Package Includes

- (1) Aluminum frame
- (1) Travel bag with wheels
- (1) Single-sided graphic print



Optional Items

- Medium hard case
*Please Note:
When hard case is added, a soft case will not be included.*
- Medium hard case graphic
- Double-sided graphic
- (2) LED Lights with clamps

