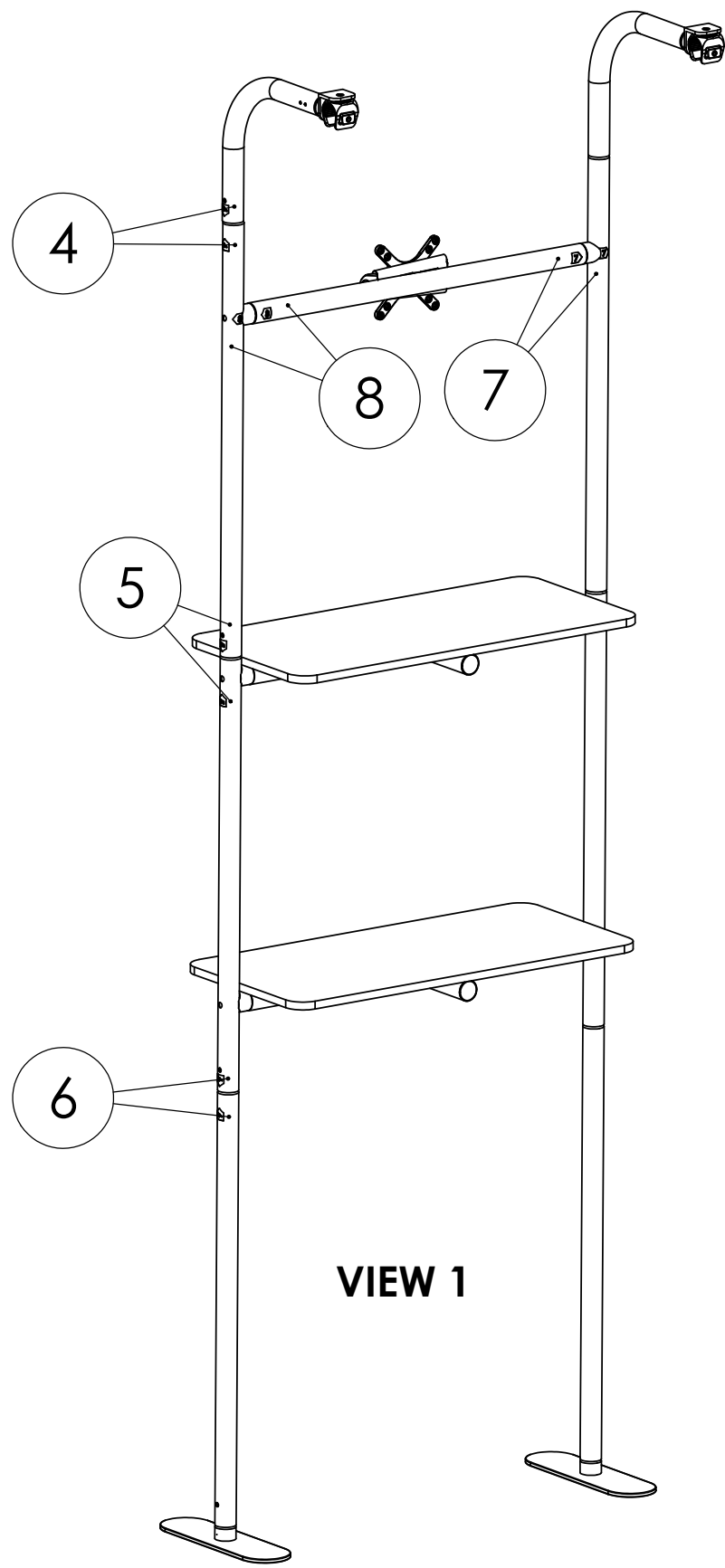
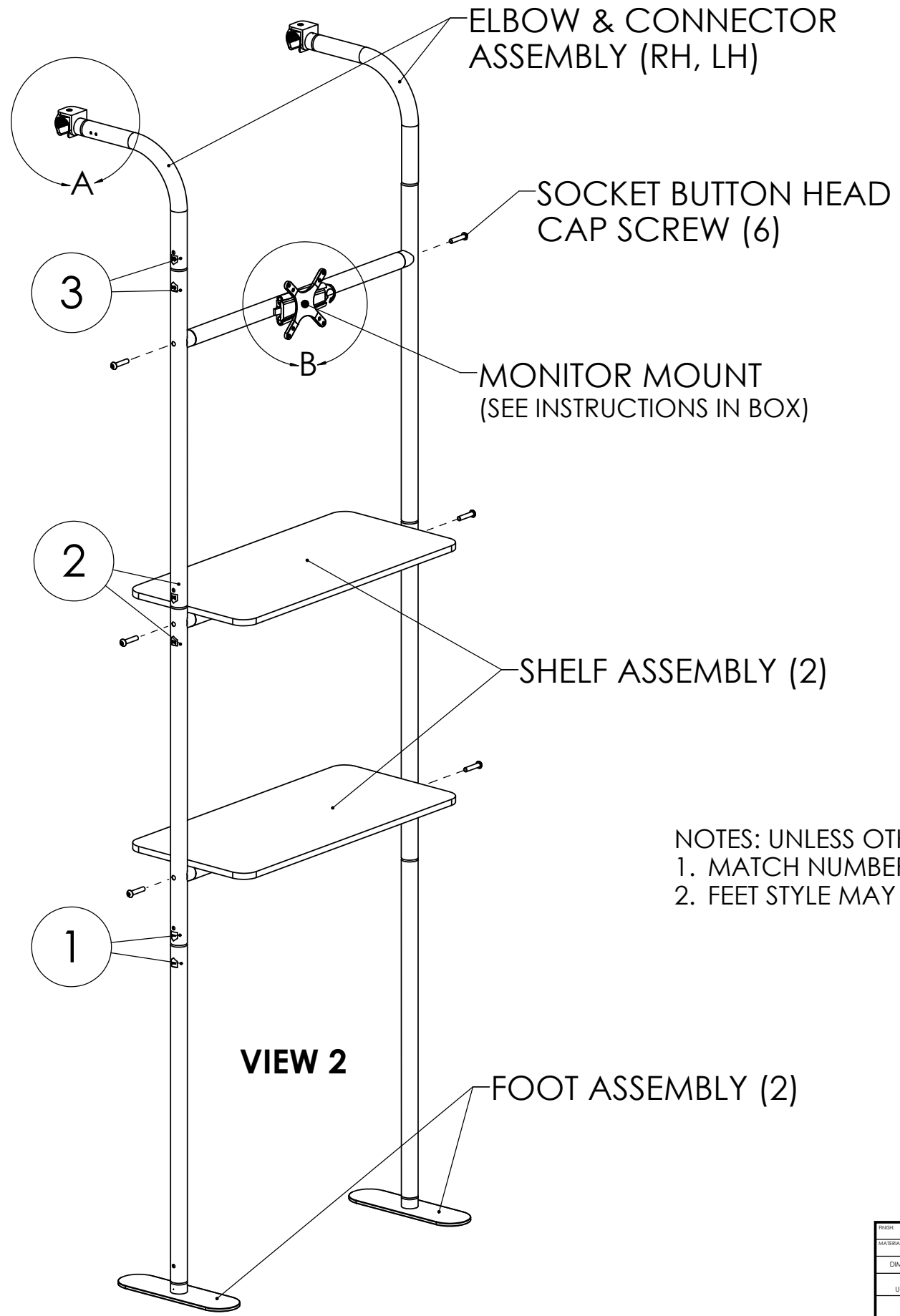


8 7 6 5 4 3 2 1

D
C
B
A



VIEW 1



VIEW 2

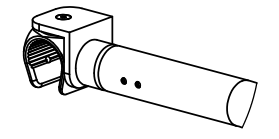
ELBOW & CONNECTOR ASSEMBLY (RH, LH)

SOCKET BUTTON HEAD CAP SCREW (6)

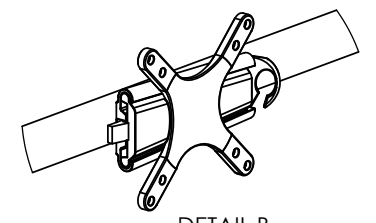
MONITOR MOUNT (SEE INSTRUCTIONS IN BOX)

SHELF ASSEMBLY (2)

FOOT ASSEMBLY (2)



DETAIL A
CONNECTOR SLEEVE ASSEMBLY



DETAIL B
MONITOR MOUNTING ASSEMBLY

NOTES: UNLESS OTHERWISE SPECIFIED
1. MATCH NUMBERED LABELS AS SHOWN.
2. FEET STYLE MAY VARY.

8 7 6 5 4 3 2 1

FINISH:		THIRD ANGLE PROJECTION		PROPERTY: THE DOCUMENT AND DATA DISCLOSED HEREIN OR HEREWITH NOT TO BE REPRODUCED, USED, OR DISCLOSED IN WHOLE OR IN PART TO ANYONE WITHOUT PERMISSION OF NIEDO GROUP, INC.	
MATERIAL:		NIEDO GROUP, INC. 5465 SW WESTERN AVE. BEAVERTON, OR 97005			
DIMENSIONS ARE IN MILLIMETERS UNLESS OTHERWISE SPECIFIED		TOLERANCES UNLESS OTHERWISE SPECIFIED			
TITLE: WAVE TUBE MODULAR WTM Z04 ASSEMBLY INSTRUCTIONS		SCALE: 1:12		SHEET 1 OF 1	
SIZE: B		DWG. NO.:		REV: A	

D
C
B
A