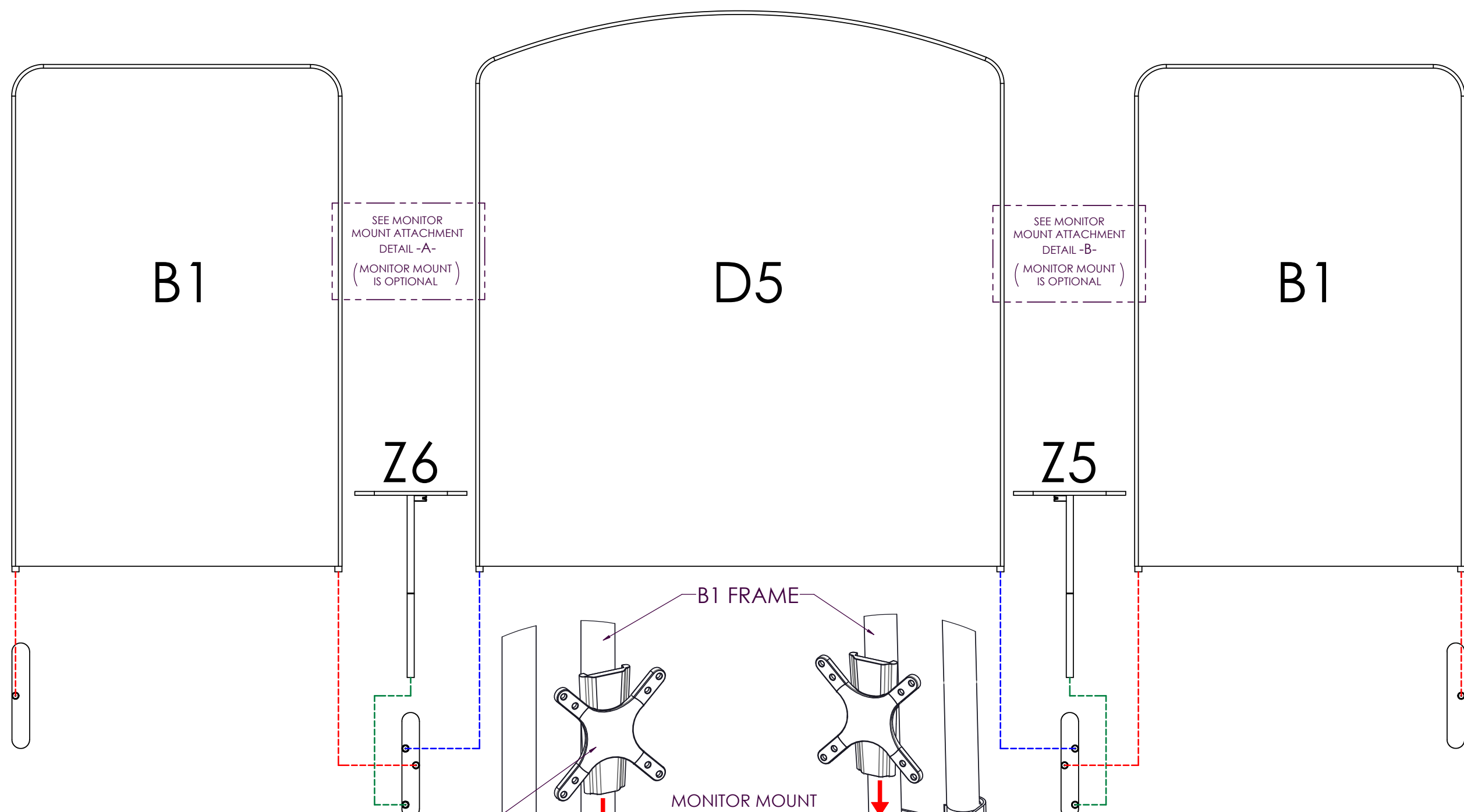
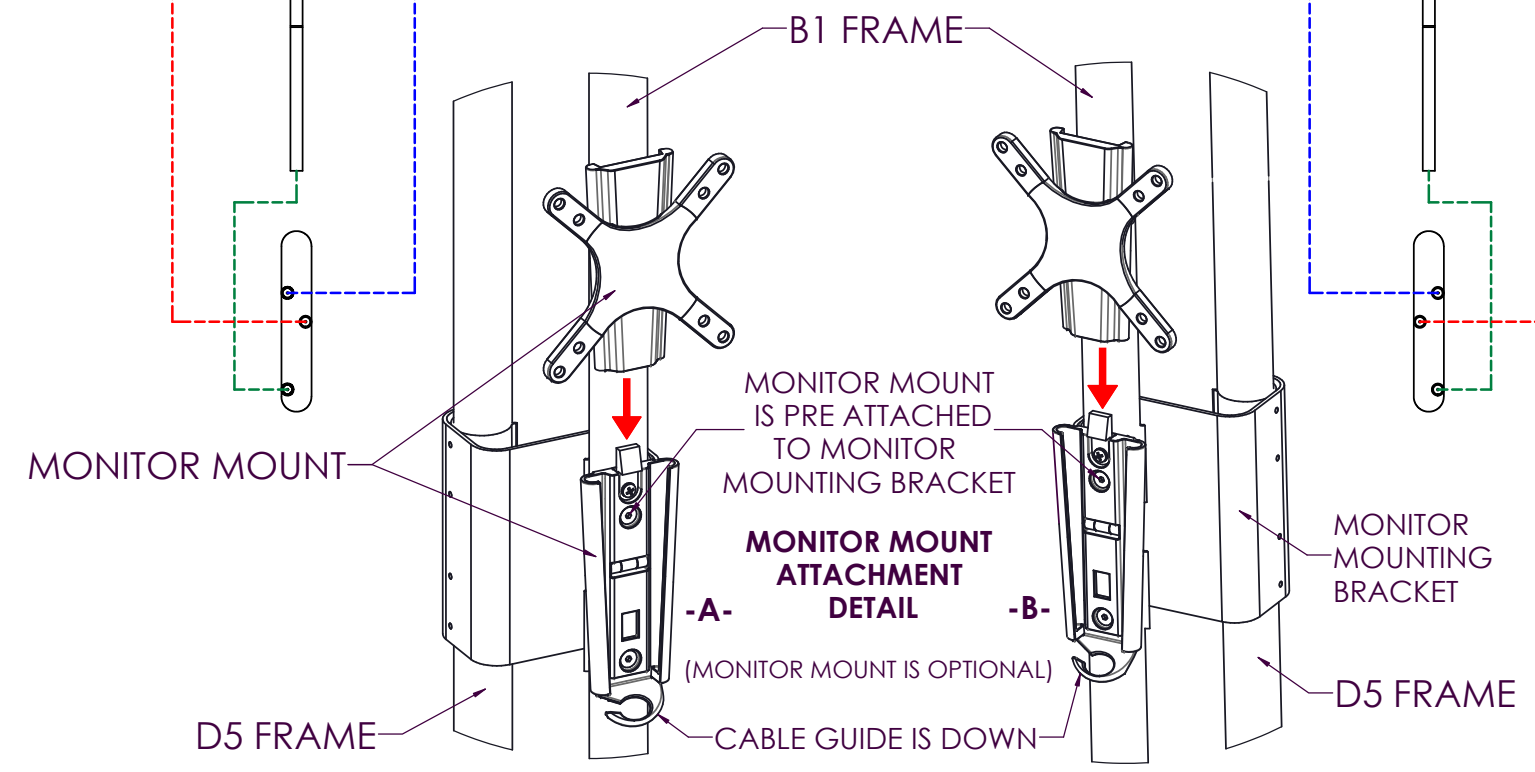


WTMB1D5B1 - ENSEMBLE KIT ASSEMBLY DIAGRAM



SEE MONITOR MOUNT ATTACHMENT DETAIL -A- (MONITOR MOUNT IS OPTIONAL)

SEE MONITOR MOUNT ATTACHMENT DETAIL -B- (MONITOR MOUNT IS OPTIONAL)

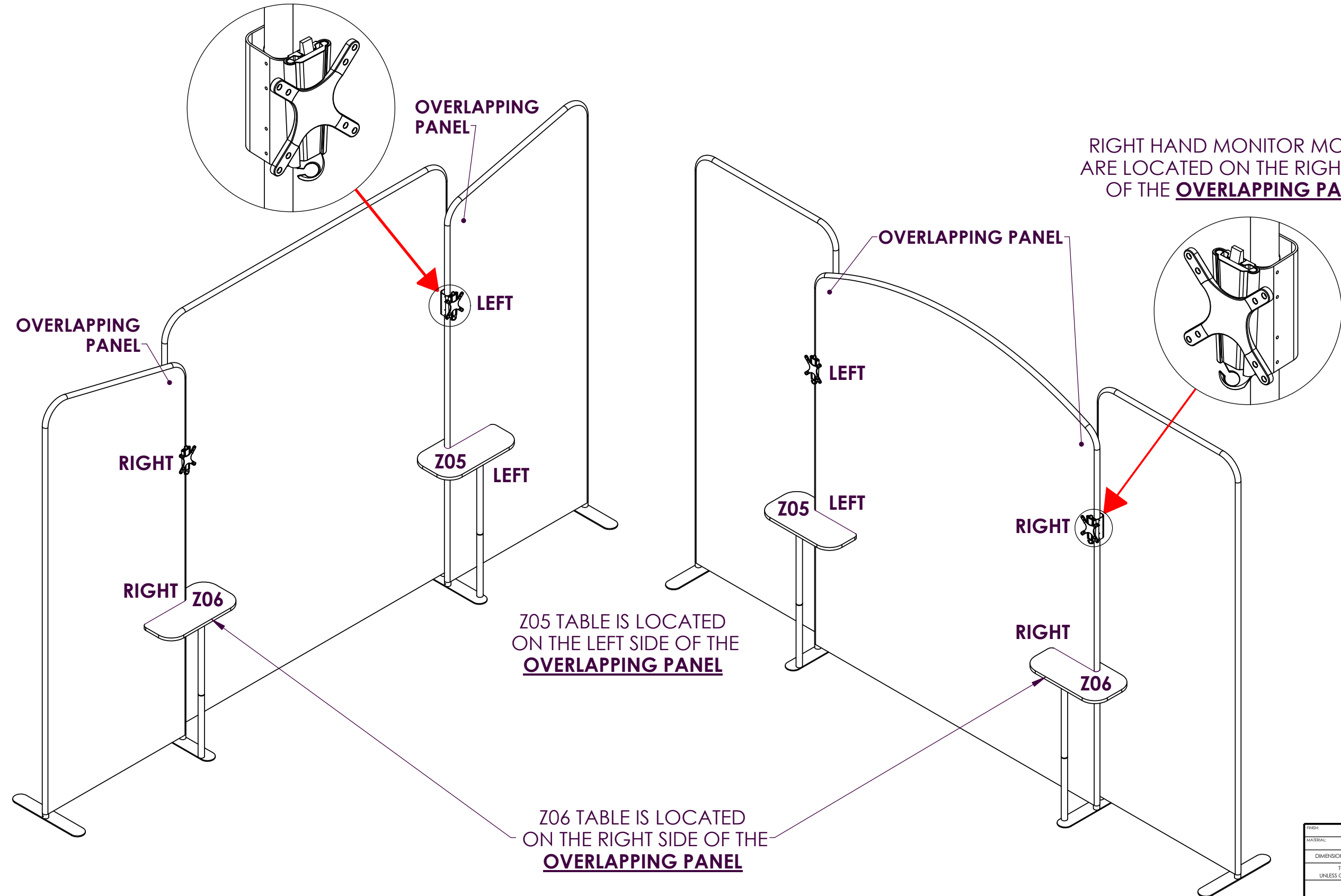


FINISH:	THIRD ANGLE PROJECTION	PROPERTY
MATERIAL:		THIS DOCUMENT AND DATA DISCLOSED HEREIN OR HEREWITH IS NOT TO BE REPRODUCED, USED, OR DISCLOSED IN WHOLE OR IN PART TO ANYONE WITHOUT PERMISSION OF NIEDO GROUP, INC.
DIMENSIONS ARE IN MILLIMETERS	NIEDO GROUP, INC. 5465 SW WESTERN AVE. BEAVERTON, OR 97005	
TOLERANCES UNLESS OTHERWISE SPECIFIED	TITLE WAVE TUBE MODULAR B1D5B1 ENSEMBLE, ASSEMBLY	
SCALE: 1:50	DO NOT SCALE DRAWING	SHEET 1 OF 1

LEFT HAND MONITOR MOUNTS ARE LOCATED ON THE LEFT SIDE OF THE OVERLAPPING PANEL

HOW TO DETERMINE IF YOU NEED A LEFT OR RIGHT SIDE MONITOR MOUNT OR TABLE

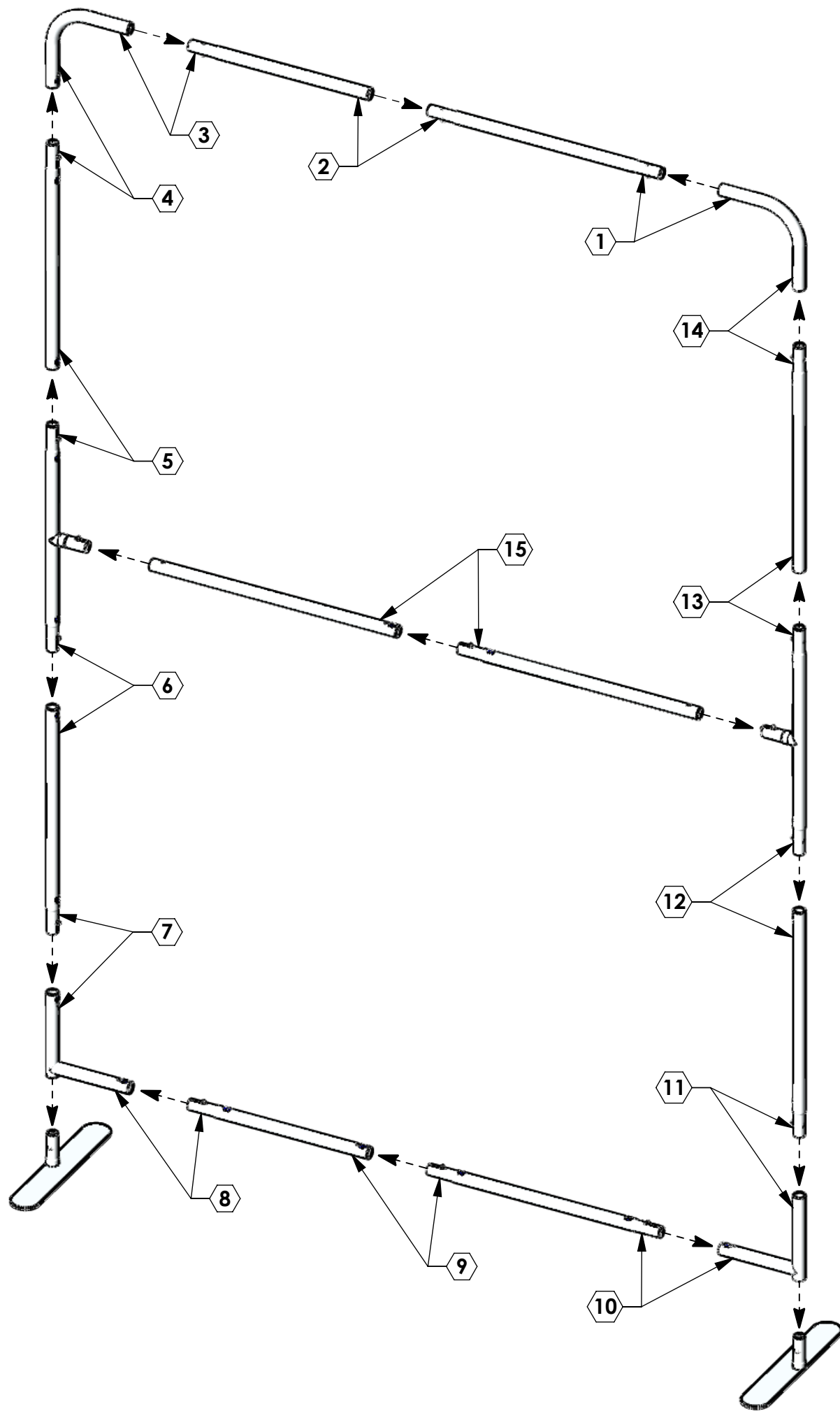
RIGHT HAND MONITOR MOUNTS ARE LOCATED ON THE RIGHT SIDE OF THE OVERLAPPING PANEL



Z05 TABLE IS LOCATED ON THE LEFT SIDE OF THE OVERLAPPING PANEL

Z06 TABLE IS LOCATED ON THE RIGHT SIDE OF THE OVERLAPPING PANEL


FINISH:	THIRD ANGLE PROJECTION	PROPERTY: THIS DOCUMENT AND DATA DISCLOSED HEREIN OR HEREWITH IS NOT TO BE REPRODUCED, USED, OR DISCLOSED IN WHOLE OR IN PART TO ANYONE WITHOUT PERMISSION OF NIEDO GROUP, INC.
MATERIAL:		
DIMENSIONS ARE IN MILLIMETERS	NIEDO GROUP, INC. 5465 SW WESTERN AVE. BEAVERTON, OR 97005	
TOLERANCES UNLESS OTHERWISE SPECIFIED	TITLE: WAVE TUBE MODULAR MONITOR MOUNT & TABLE DETAIL ENSEMBLE, ASSEMBLY	
SIZE: B	DWG. NO.: Generic Top View	REV: 03
SCALE: 1:50	DO NOT SCALE DRAWING	SHEET 1 OF 1



REVISIONS			
REV	DESCRIPTION	ENGINEER	DATE
AA	INITIAL RELEASE	D. OWENS	12/26/17

NOTES: UNLESS OTHERWISE SPECIFIED:

1. ASSEMBLY TIME: 1 HOUR WITH 1 PERSON.
2. NUMBERED HEXAGONS MATCH THE NUMBERED LABELS ON EACH PART DURING ASSEMBLY.
3. FEET STYLE MAY VARY.

FINISH:		THIRD ANGLE PROJECTION		- PROPRIETARY - THIS DOCUMENT AND DATA DISCLOSED HEREIN OR HEREWITH IS NOT TO BE REPRODUCED, USED, OR DISCLOSED IN WHOLE OR IN PART TO ANYONE WITHOUT PERMISSION OF NIEDO GROUP, INC.	
MATERIAL: SEE B.O.M.		DIMENSIONS ARE IN MILLIMETERS		 NIEDO GROUP, INC. 5465 SW WESTERN AVE. BEAVERTON, OR 97005	
TOLERANCES UNLESS OTHERWISE SPECIFIED		TITLE WAVE TABLE - BILL OF MATERIALS AND ASSEMBLY INSTRUCTIONS			
SIZE	DWG. NO.	REV			
B	WTM-B1	AA			
SCALE: 1:14	DO NOT SCALE DRAWING	SHEET 1 OF 2			

REV AA DWG. NO. WTM-B1

FOOT ASSEMBLY (2)

WTM D5 ASSEMBLY

ENGAGE
BUTTON

ALIGN
LABELS

GENERAL TUBE ASSEMBLY

NOTES: UNLESS OTHERWISE SPECIFIED

1. MATCH NUMBERED LABELS AS SHOWN.

2. FEET STYLE MAY VARY.

FINISH:	THIRD ANGLE PROJECTION	PROPERTY: THIS DOCUMENT AND DATA DISCLOSED HEREIN OR HEREWITH IS NOT TO BE REPRODUCED, USED, OR DISCLOSED IN WHOLE OR IN PART TO ANYONE WITHOUT PERMISSION OF NIEDO GROUP, INC.
MATERIAL:		
DIMENSIONS ARE IN MILLIMETERS		NIEDO GROUP, INC. 5465 SW WESTERN AVE. BEAVERTON, OR 97005
TOLERANCES UNLESS OTHERWISE SPECIFIED	TITLE	WAVE TUBE MODULAR WTM D5 ASSEMBLY INSTRUCTIONS
SIZE B	DWG. NO.	REV.
SCALE: 1:12	DO NOT SCALE DRAWING	SHEET 1 OF 1

8

7

6

5

4

3

2

1

D

D

C

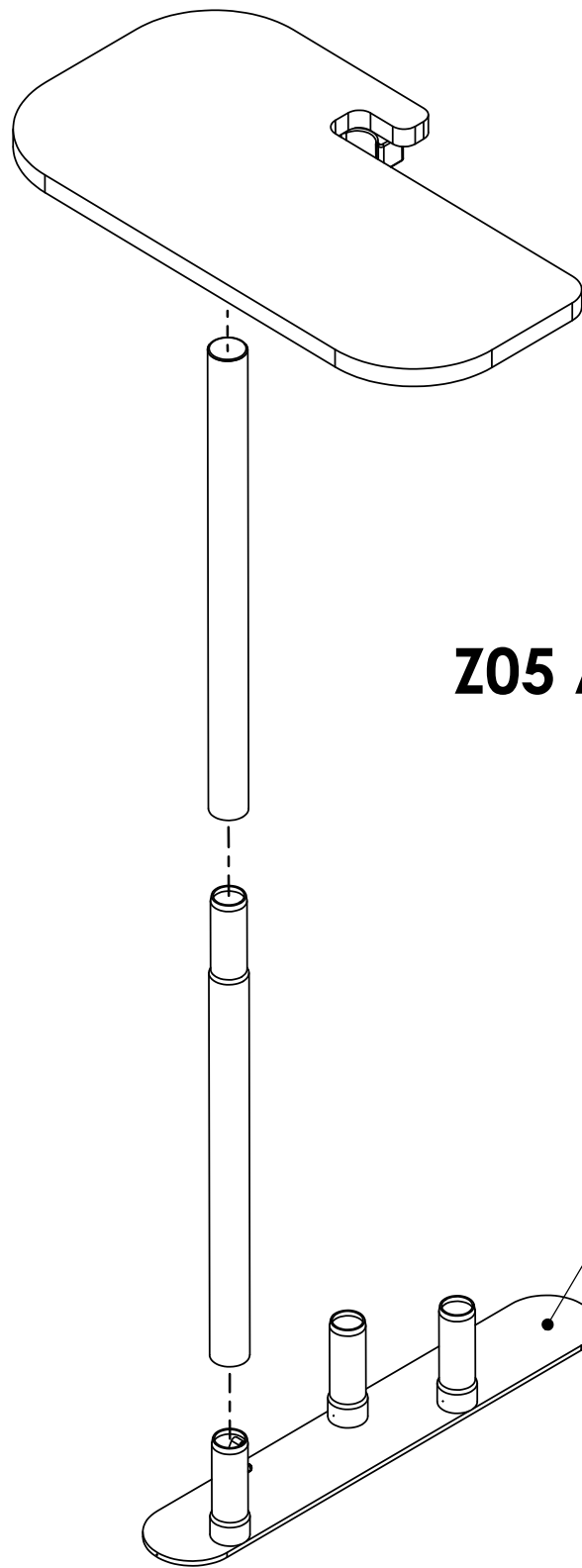
C

B

B

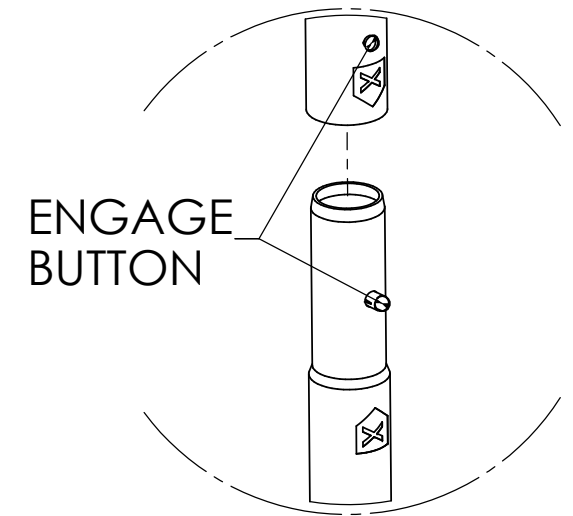
A

A




Z05 ASSEMBLY

FOOT ASSEMBLY



ENGAGE
BUTTON

GENERAL TUBE ASSEMBLY

FINISH:	THIRD ANGLE PROJECTION	PROPERTY: THIS DOCUMENT AND DATA DISCLOSED HEREIN OR HEREWITH IS NOT TO BE REPRODUCED, USED, OR DISCLOSED IN WHOLE OR IN PART TO ANYONE WITHOUT PERMISSION OF NIEDO GROUP, INC.
MATERIAL:	 NIEDO GROUP, INC.	5465 SW WESTERN AVE. BEAVERTON, OR 97005
DIMENSIONS ARE IN MILLIMETERS TOLERANCES UNLESS OTHERWISE SPECIFIED	TITLE WAVE TUBE MODULAR WTM Z05 ASSEMBLY INSTRUCTIONS	
SIZE B	DWG. NO.	REV.
SCALE: 1:8	DO NOT SCALE DRAWING	SHEET 1 OF 1

8

7

6

5

4

3

2

1

8

7

6

5

4

3

2

1

D

D

C

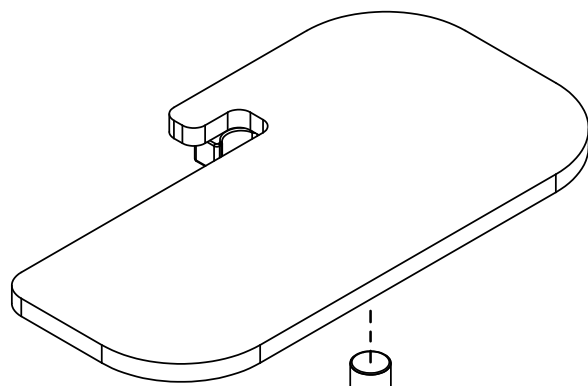
C

B

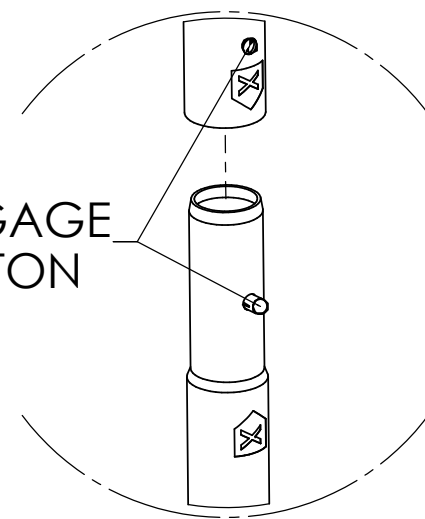
B

A

A



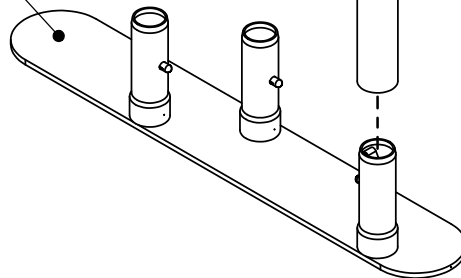
Z06 ASSEMBLY




ENGAGE
BUTTON

GENERAL TUBE ASSEMBLY

FOOT ASSEMBLY



FINISH:	THIRD ANGLE PROJECTION	PROPERTY: THIS DOCUMENT AND DATA DISCLOSED HEREIN OR HEREWITH IS NOT TO BE REPRODUCED, USED, OR DISCLOSED IN WHOLE OR IN PART TO ANYONE WITHOUT PERMISSION OF NIEDO GROUP, INC.
MATERIAL:	 NIEDO GROUP, INC.	5465 SW WESTERN AVE. BEAVERTON, OR 97005
DIMENSIONS ARE IN MILLIMETERS	TITLE: WAVE TUBE MODULAR WTM Z06 ASSEMBLY INSTRUCTIONS	
TOLERANCES UNLESS OTHERWISE SPECIFIED	SIZE: B	REV:
	SCALE: 1:8	DO NOT SCALE DRAWING SHEET 1 OF 1

8

7

6

5

4

3

2

1