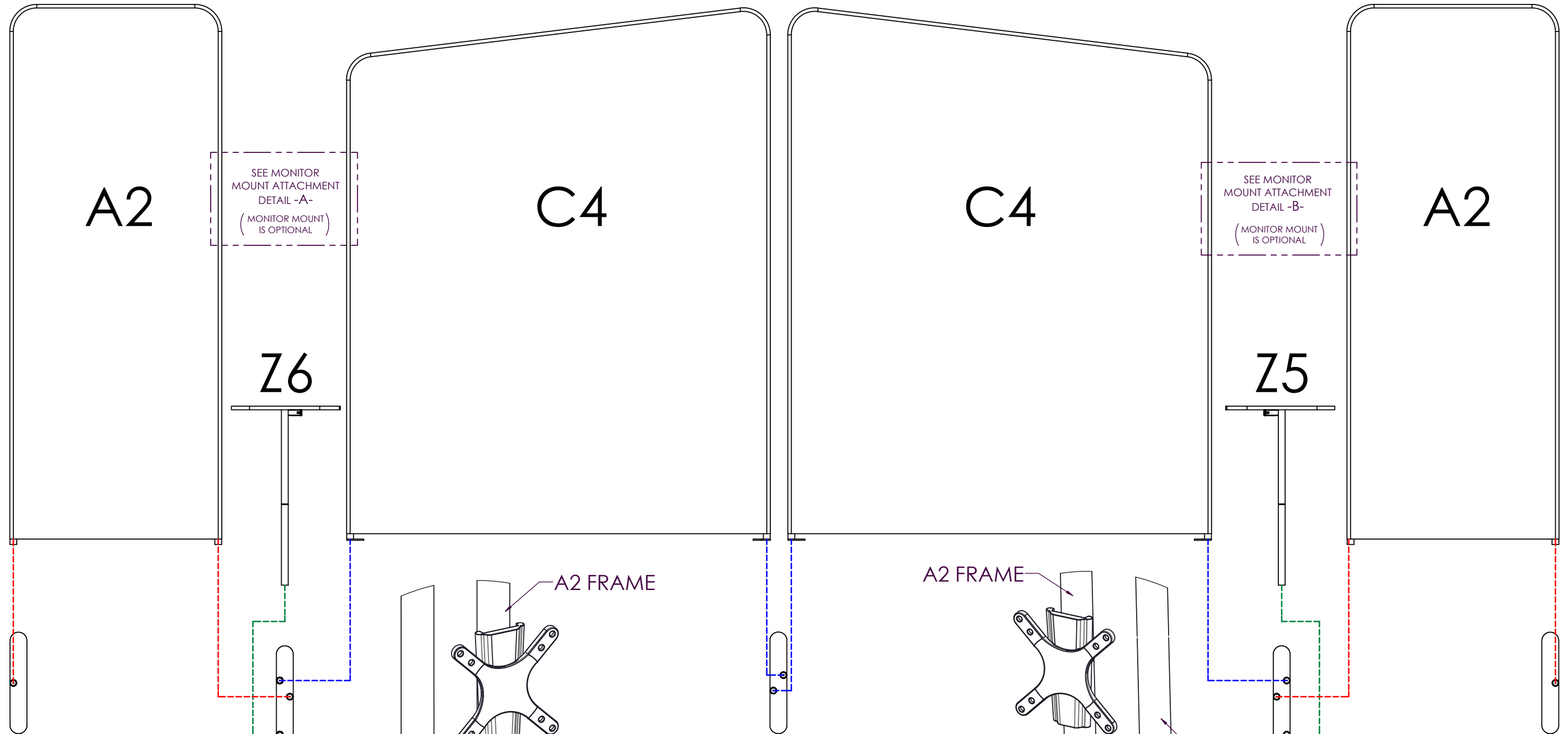
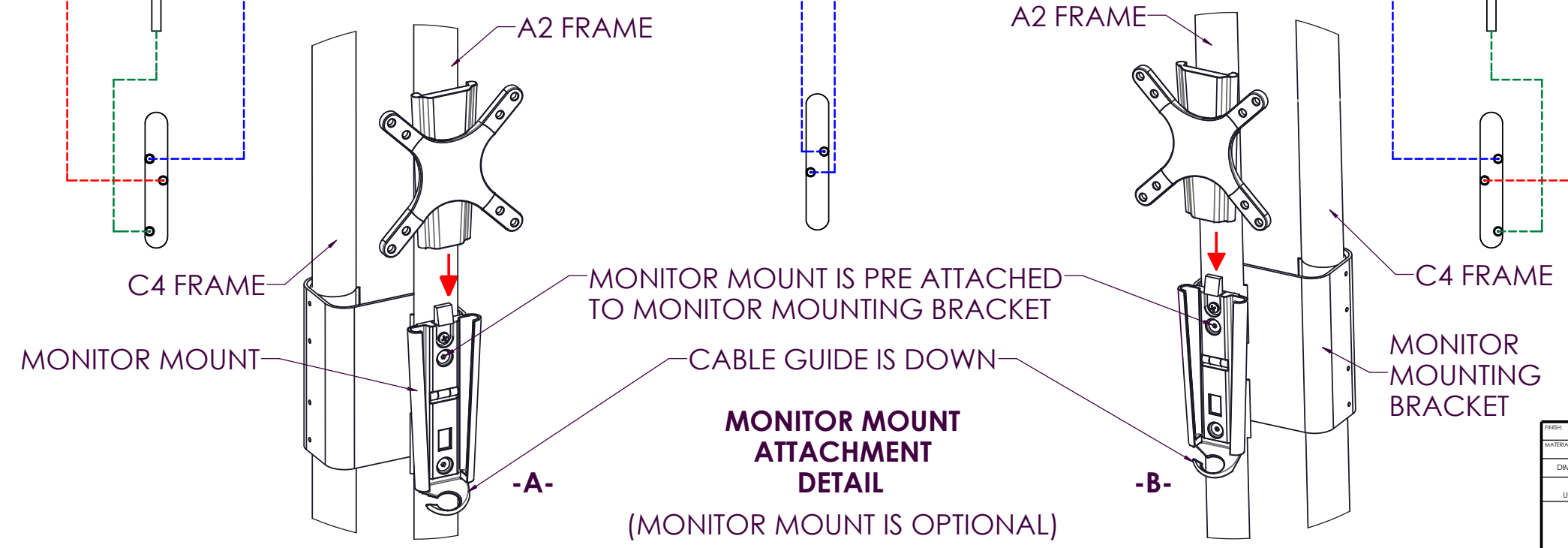


WTMA2C4C4A2 - ENSEMBLE KIT ASSEMBLY DIAGRAM



SEE MONITOR MOUNT ATTACHMENT
DETAIL -A-
(MONITOR MOUNT
IS OPTIONAL)

SEE MONITOR MOUNT ATTACHMENT
DETAIL -B-
(MONITOR MOUNT
IS OPTIONAL)



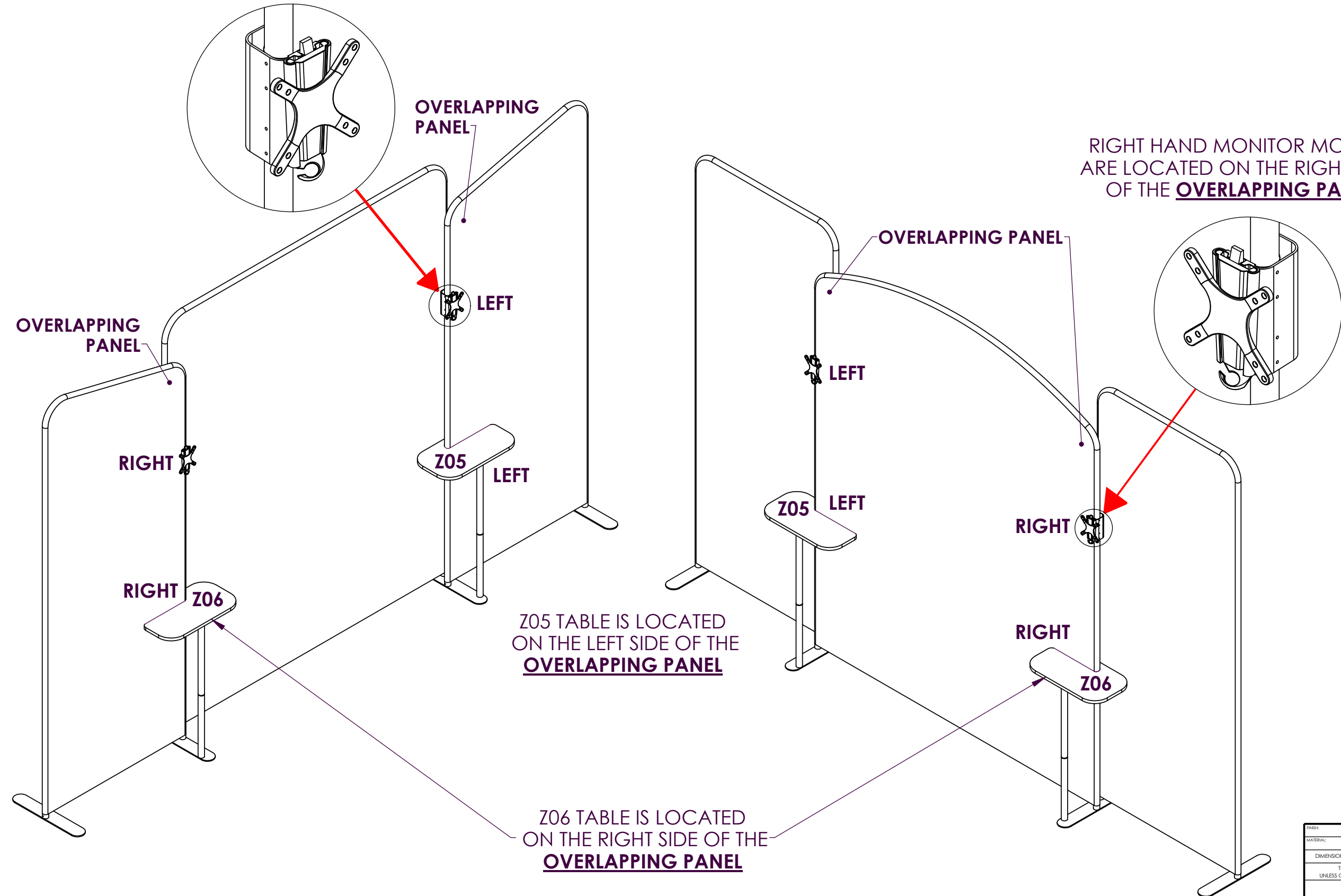
**MONITOR MOUNT ATTACHMENT
DETAIL**
(MONITOR MOUNT IS OPTIONAL)

FINISH:	THIRD ANGLE PROJECTION	PROPERTY: THIS DOCUMENT AND DATA DISCLOSED HEREIN OR HEREAFTER IS NOT TO BE REPRODUCED, USED, OR DISCLOSED IN WHOLE OR IN PART TO ANYONE WITHOUT PERMISSION OF NIEDO GROUP, INC.
MATERIAL:		
DIMENSIONS ARE IN MILLIMETERS	NIEDO GROUP, INC. 5465 SW WESTERN AVE. BEAVERTON, OR 97005	
TOLERANCES UNLESS OTHERWISE SPECIFIED	WAVE TUBE MODULAR A2C4C4A2 ENSEMBLE, ASSEMBLY	
SCALE: 1:50	DO NOT SCALE DRAWING	SHEET 1 OF 1

LEFT HAND MONITOR MOUNTS ARE LOCATED ON THE LEFT SIDE OF THE OVERLAPPING PANEL

HOW TO DETERMINE IF YOU NEED A LEFT OR RIGHT SIDE MONITOR MOUNT OR TABLE

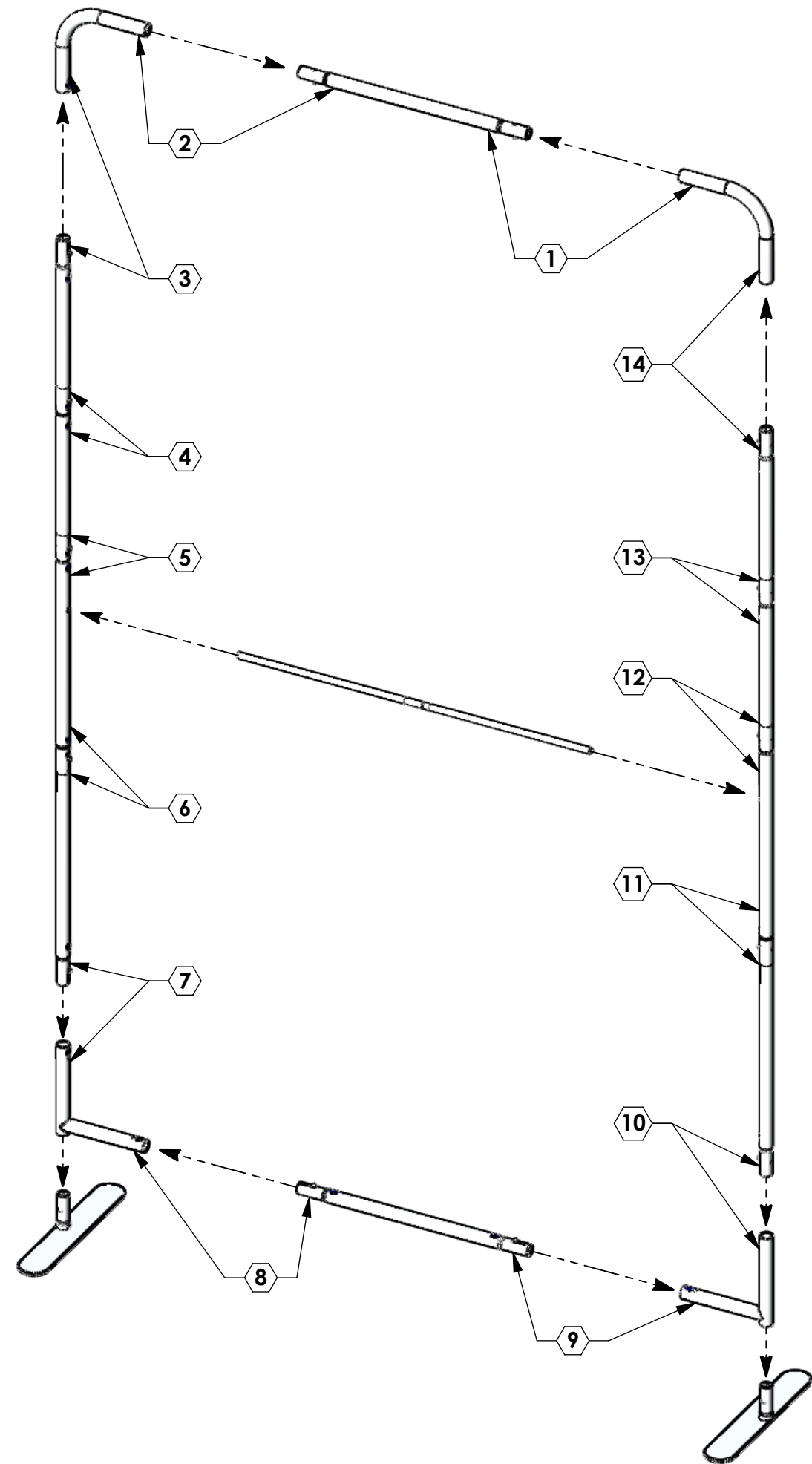
RIGHT HAND MONITOR MOUNTS ARE LOCATED ON THE RIGHT SIDE OF THE OVERLAPPING PANEL



Z05 TABLE IS LOCATED ON THE LEFT SIDE OF THE OVERLAPPING PANEL

Z06 TABLE IS LOCATED ON THE RIGHT SIDE OF THE OVERLAPPING PANEL

FINISH:	THIRD ANGLE PROJECTION	PROPERTY: THIS DOCUMENT AND DATA DISCLOSED HEREIN OR HEREWITH IS NOT TO BE REPRODUCED, USED, OR DISCLOSED IN WHOLE OR IN PART TO ANYONE WITHOUT PERMISSION OF NIEDO GROUP, INC.
MATERIAL:		
DIMENSIONS ARE IN MILLIMETERS	NIEDO GROUP, INC. 5465 SW WESTERN AVE. BEAVERTON, OR 97005	
TOLERANCES UNLESS OTHERWISE SPECIFIED	TITLE: WAVE TUBE MODULAR MONITOR MOUNT & TABLE DETAIL ENSEMBLE, ASSEMBLY	
REV: B	DWG. NO.: Generic Top View	REV: 03
SCALE: 1:50	DO NOT SCALE DRAWING	SHEET 1 OF 1



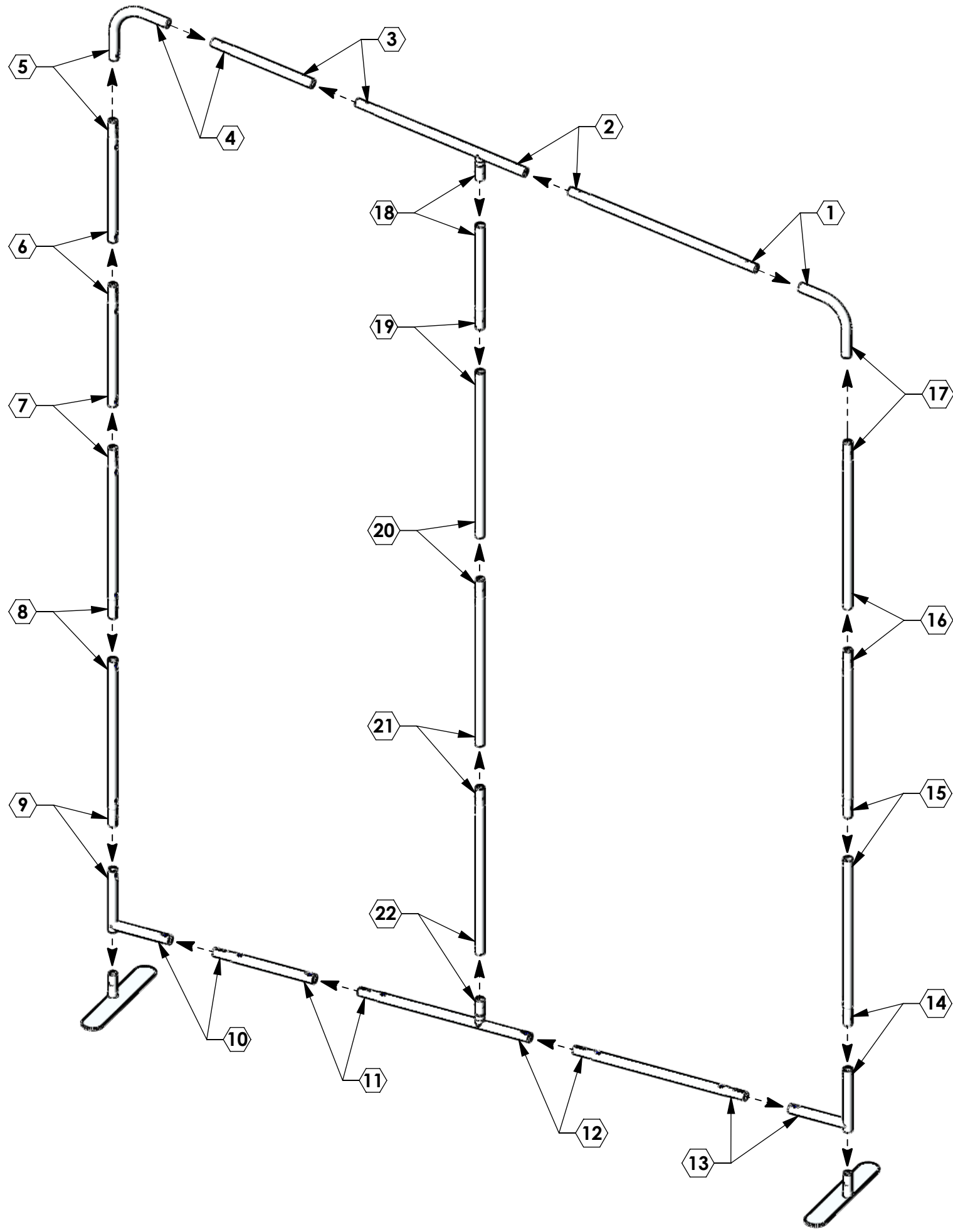
REVISIONS			
REV	DESCRIPTION	ENGINEER	DATE
AA	INITIAL RELEASE	D. OWENS	12/12/17

NOTES: UNLESS OTHERWISE SPECIFIED:

1. ASSEMBLY TIME: 1 HOUR WITH 1 PERSON.
2. NUMBERED HEXAGONS MATCH THE NUMBERED LABELS ON EACH PART DURING ASSEMBLY.
3. FEET STYLE MAY VARY.

FINISH:		THIRD ANGLE PROJECTION		- PROPRIETARY - THIS DOCUMENT AND DATA DISCLOSED HEREIN OR HEREWITH IS NOT TO BE REPRODUCED, USED, OR DISCLOSED IN WHOLE OR IN PART TO ANYONE WITHOUT PERMISSION OF NIEDO GROUP, INC.	
MATERIAL: SEE B.O.M.		DIMENSIONS ARE IN MILLIMETERS		NIEDO GROUP, INC. 5465 SW WESTERN AVE. BEAVERTON, OR 97005	
TOLERANCES UNLESS OTHERWISE SPECIFIED		TITLE WAVE TABLE - BILL OF MATERIALS AND ASSEMBLY INSTRUCTIONS			
SIZE	DWG. NO.	REV			
B	WTM-A2	AA			
SCALE: 1:20	DO NOT SCALE DRAWING	SHEET 1 OF 2			

REV AA DWG. NO. WTM-A2



REVISIONS			
REV	DESCRIPTION	ENGINEER	DATE
AA	INITIAL RELEASE	D. OWENS	02/08/18

NOTES: UNLESS OTHERWISE SPECIFIED:

1. ASSEMBLY TIME: 1 HOUR WITH 1 PERSON.
2. NUMBERED HEXAGONS MATCH THE NUMBERED LABELS ON EACH PART DURING ASSEMBLY.
3. FEET STYLE MAY VARY.

FINISH:		THIRD ANGLE PROJECTION		<small>- PROPRIETARY -</small> THIS DOCUMENT AND DATA DISCLOSED HEREIN OR HEREWITH IS NOT TO BE REPRODUCED, USED, OR DISCLOSED IN WHOLE OR IN PART TO ANYONE WITHOUT PERMISSION OF NIEDO GROUP, INC.	
MATERIAL: SEE B.O.M.		NIEDO GROUP, INC. 5465 SW WESTERN AVE. BEAVERTON, OR 97005		TITLE WAVE TABLE - BILL OF MATERIALS AND ASSEMBLY INSTRUCTIONS	
DIMENSIONS ARE IN MILLIMETERS					
TOLERANCES UNLESS OTHERWISE SPECIFIED		SIZE B DWG. NO. WTM-C4		REV AA	
SCALE: 1:14		DO NOT SCALE DRAWING		SHEET 1 OF 2	

REV AA DWG. NO. WTM-C4

8

7

6

5

4

3

2

1

D

D

C

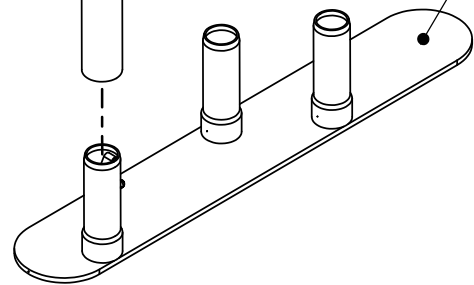
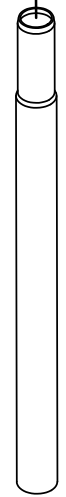
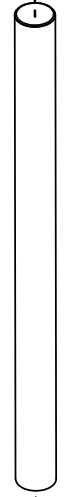
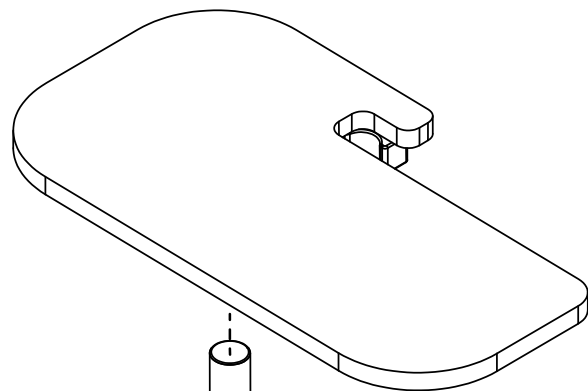
C

B

B

A

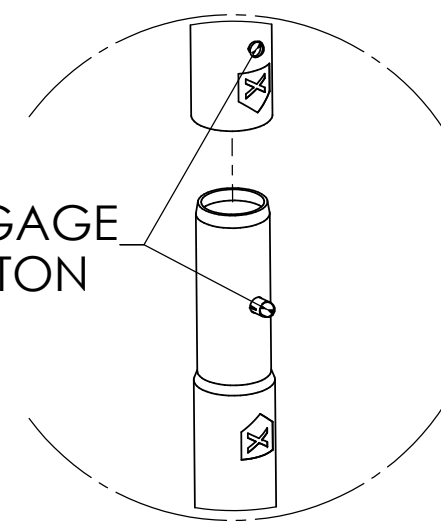
A




Z05 ASSEMBLY

FOOT ASSEMBLY

ENGAGE
BUTTON



GENERAL TUBE ASSEMBLY

FINISH:	THIRD ANGLE PROJECTION	PROPERTY: THIS DOCUMENT AND DATA DISCLOSED HEREIN OR HEREWITH IS NOT TO BE REPRODUCED, USED, OR DISCLOSED IN WHOLE OR IN PART TO ANYONE WITHOUT PERMISSION OF NIEDO GROUP, INC.
MATERIAL:	 NIEDO GROUP, INC.	5465 SW WESTERN AVE. BEAVERTON, OR 97005
DIMENSIONS ARE IN MILLIMETERS TOLERANCES UNLESS OTHERWISE SPECIFIED	TITLE WAVE TUBE MODULAR WTM Z05 ASSEMBLY INSTRUCTIONS	
SIZE B	DWG. NO.	REV.
SCALE: 1:8	DO NOT SCALE DRAWING	SHEET 1 OF 1

8

7

6

5

4

3

2

1

8

7

6

5

4

3

2

1

D

D

C

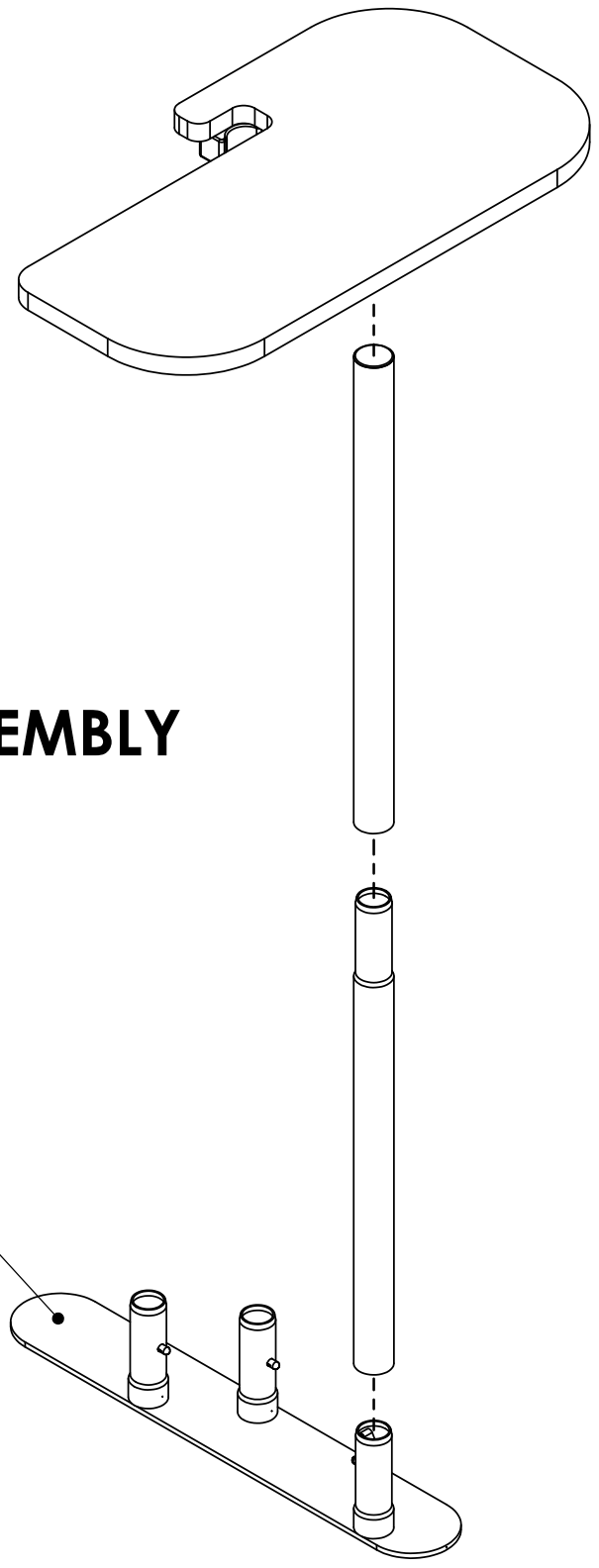
C

B

B

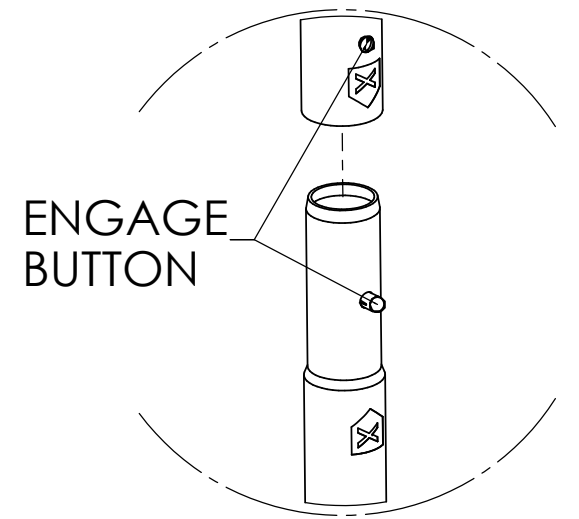
A

A



Z06 ASSEMBLY

FOOT ASSEMBLY



ENGAGE
BUTTON

GENERAL TUBE ASSEMBLY

FINISH:	THIRD ANGLE PROJECTION	PROPERTY: THIS DOCUMENT AND DATA DISCLOSED HEREIN OR HEREWITH IS NOT TO BE REPRODUCED, USED, OR DISCLOSED IN WHOLE OR IN PART TO ANYONE WITHOUT PERMISSION OF NIEDO GROUP, INC.
MATERIAL:		
DIMENSIONS ARE IN MILLIMETERS		NIEDO GROUP, INC. 5465 SW WESTERN AVE. BEAVERTON, OR 97005
TOLERANCES UNLESS OTHERWISE SPECIFIED	TITLE	WAVE TUBE MODULAR WTM Z06 ASSEMBLY INSTRUCTIONS
SIZE B	DWG. NO.	REV.
SCALE: 1:8	DO NOT SCALE DRAWING	SHEET 1 OF 1

8

7

6

5

4

3

2

1