

**PLEASE REFER TO LAST PAGE OF
MANUAL FOR SEG INSTRUCTIONS**

NOTE: UNLESS OTHERWISE SPECIFIED

- 1. ASSEMBLY-TIME : 1/2 HOUR WITH 2 PEOPLE.**
- 2. NUMBER OF HANGERS WILL DEPEND ON SIZE.**

WALL MOUNT SINGLE-SIDED FRAME

8

7

6

5

4

3

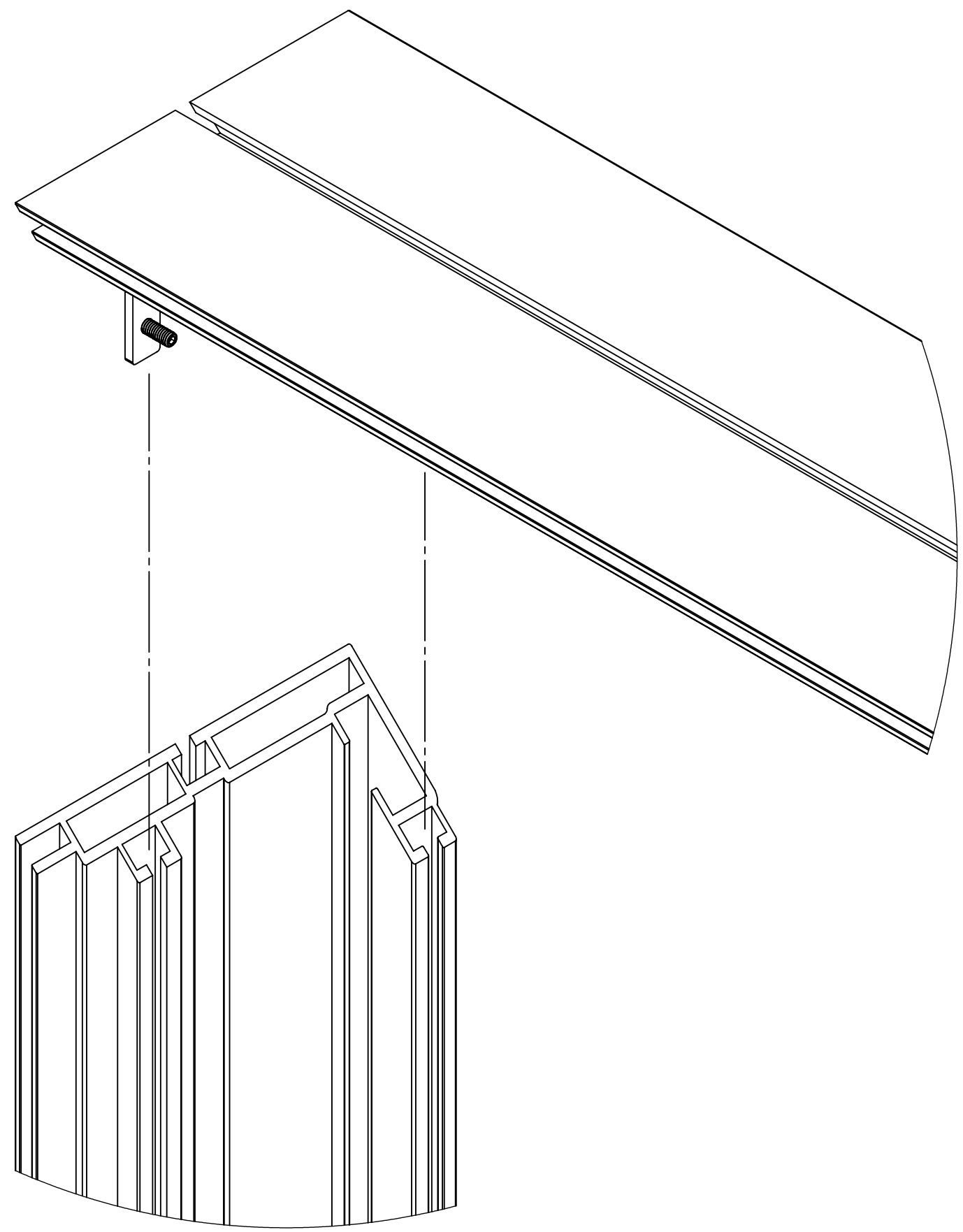
2

1

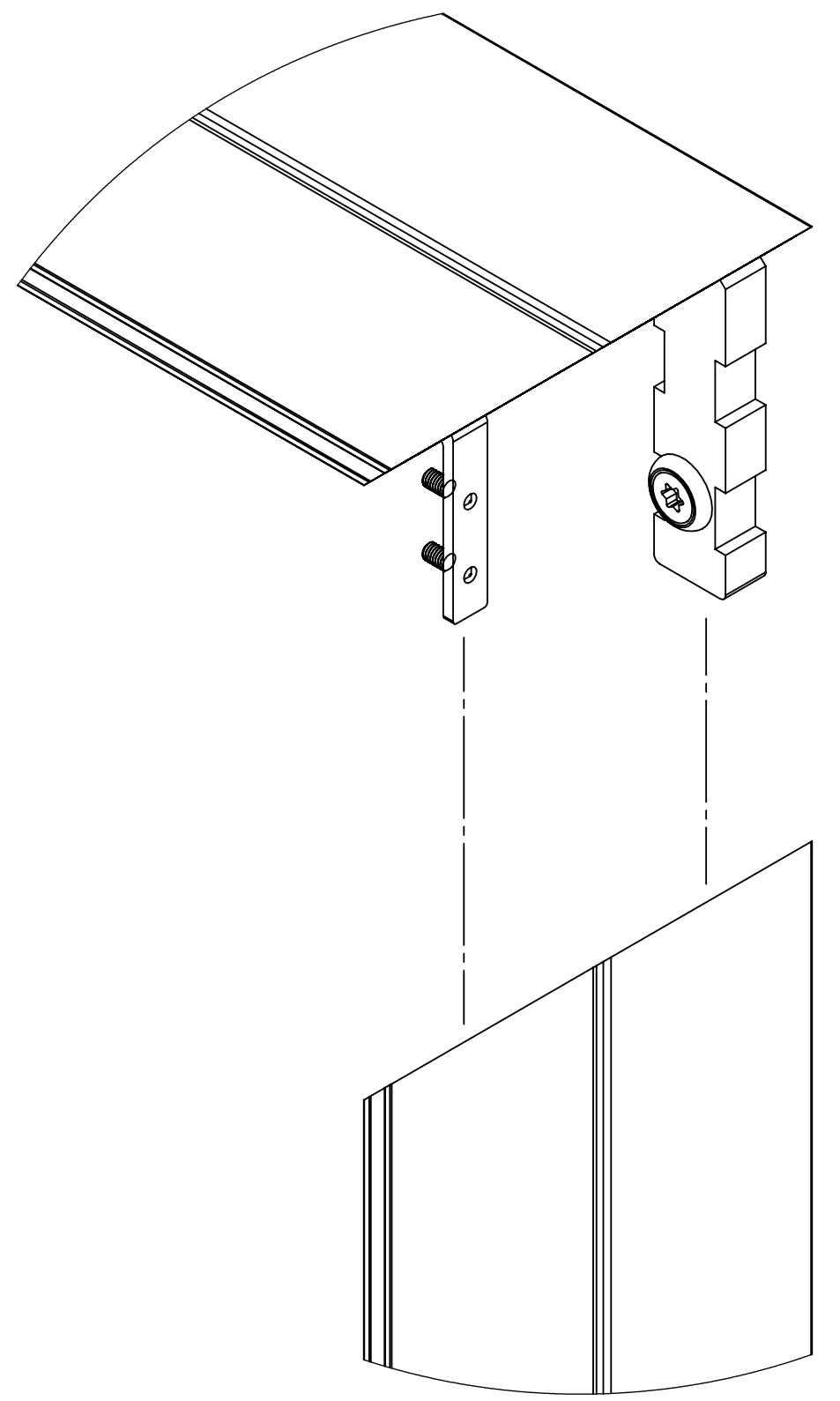
D

D

DETAIL A
SCALE 3 : 4

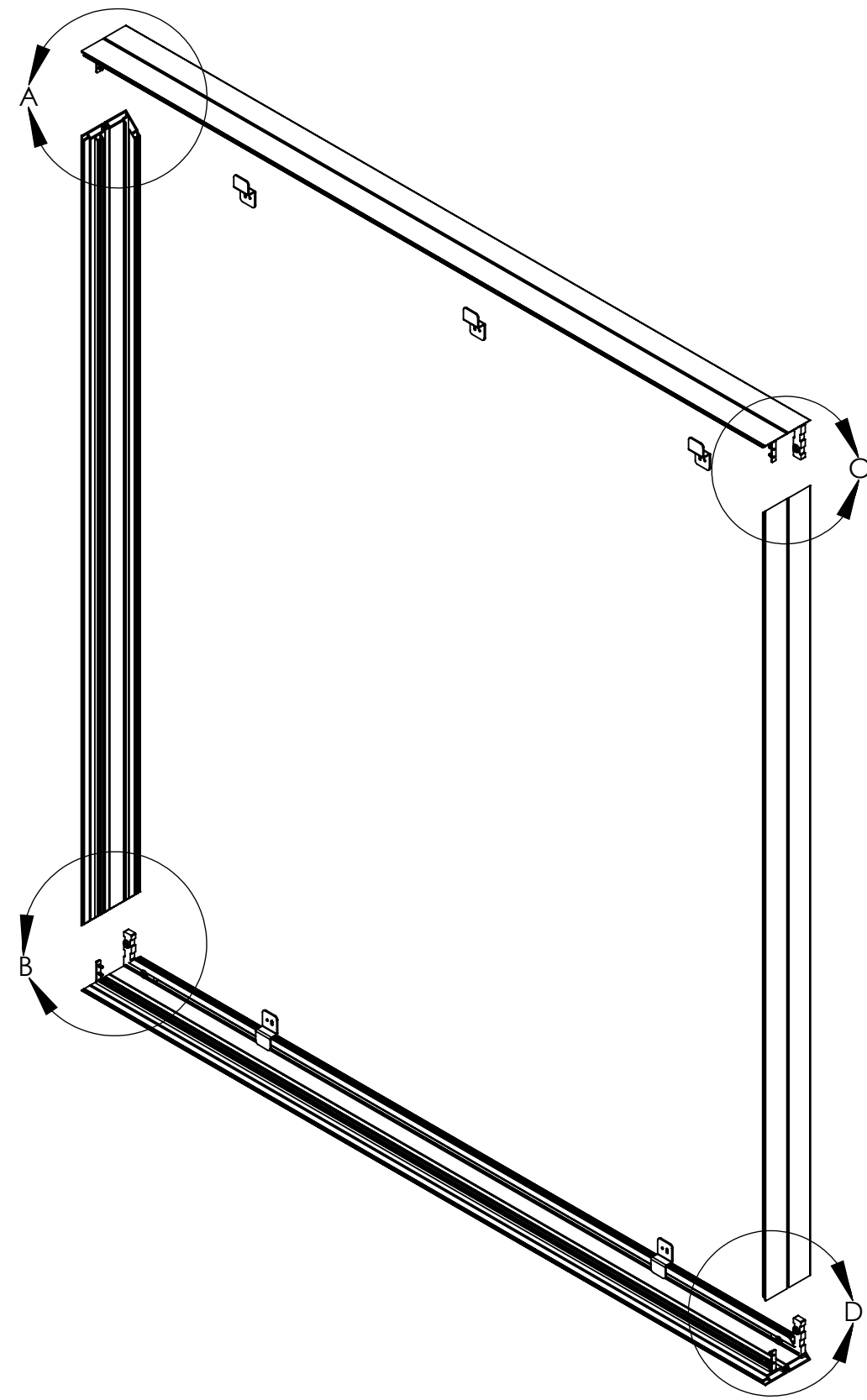


DETAIL C
SCALE 3 : 4

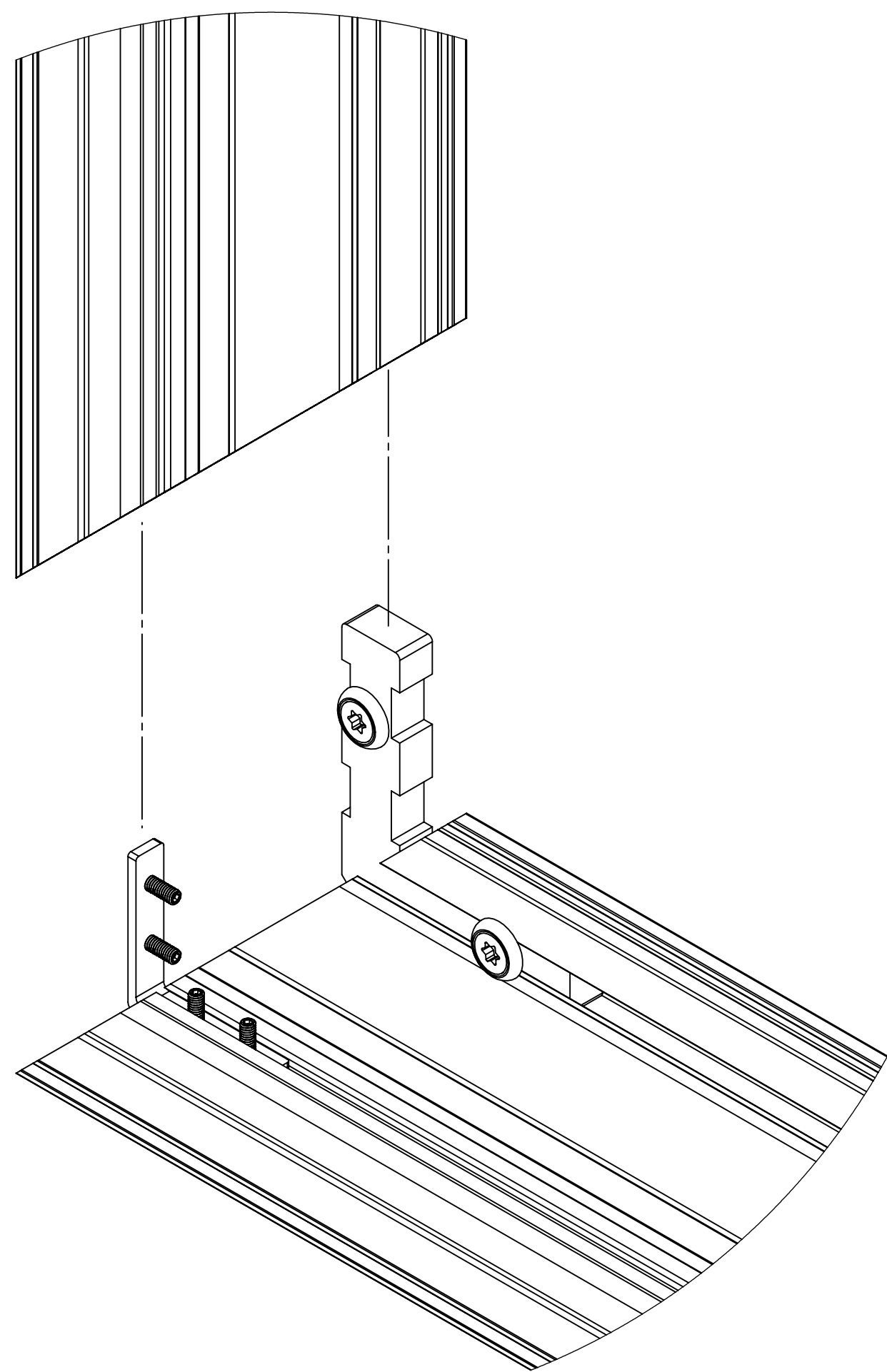


C

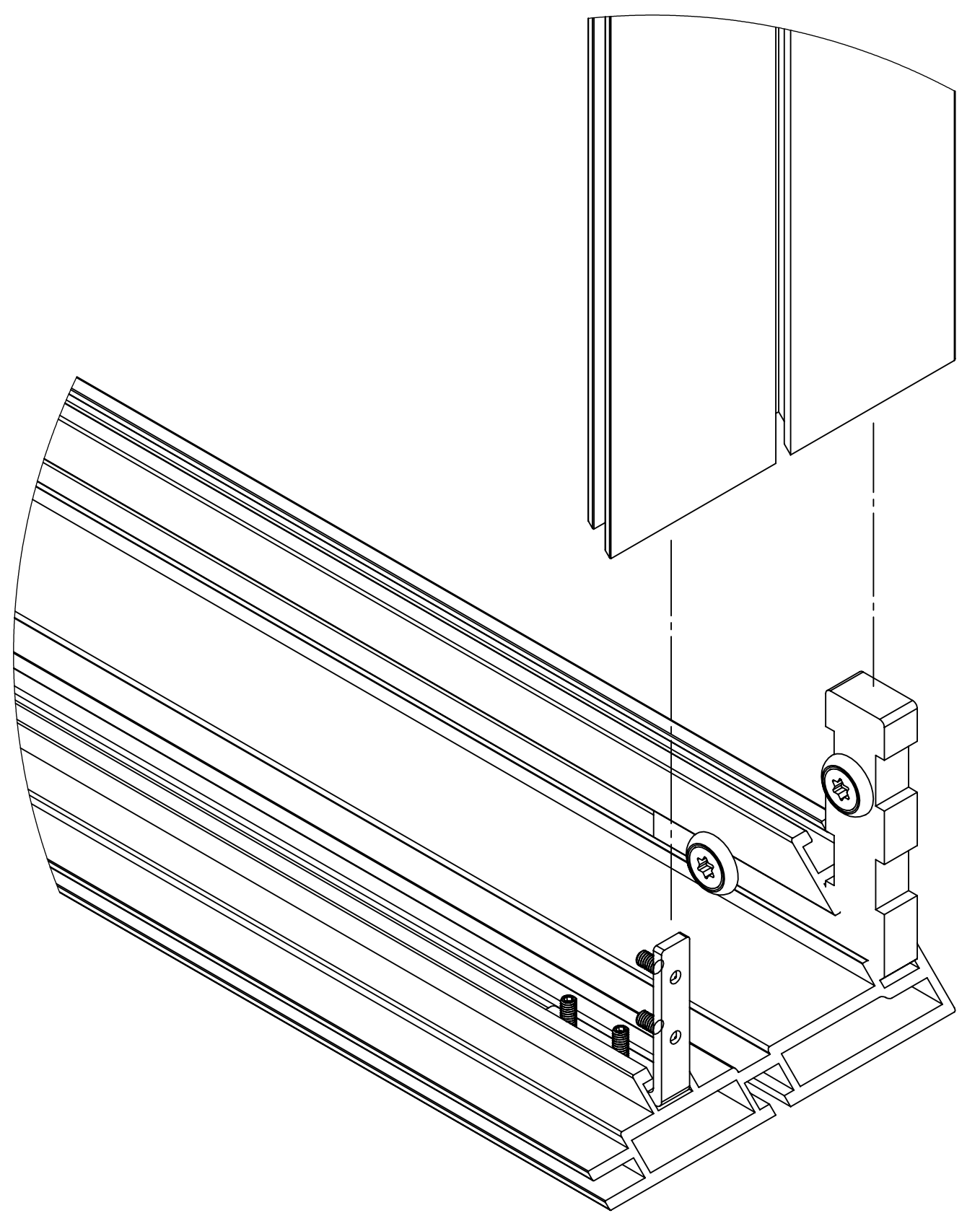
C



DETAIL B
SCALE 3 : 4



DETAIL D
SCALE 3 : 4



B

B

A

A

8

7

6

5

4

3

2

1

8

7

6

5

4

3

2

1

D

D

C

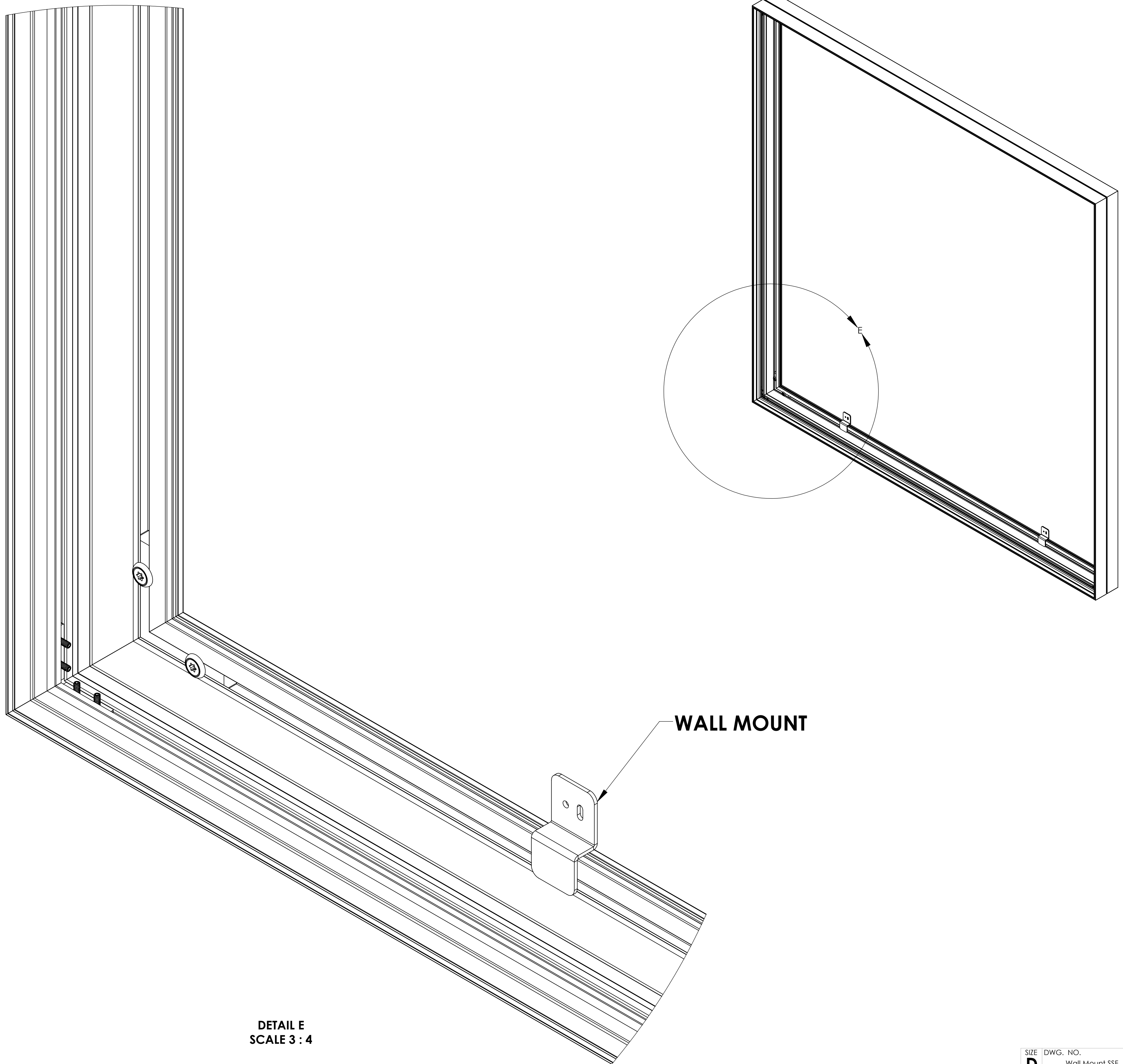
C

B

B

A

A



WALL MOUNT

DETAIL E
SCALE 3 : 4

SIZE	DWG. NO.	REV
D	Wall Mount SSF	A
SCALE: 1:8	WEIGHT:	SHEET 3 OF 3

8

7

6

5

4

3

2

1