

8

7

6

5

4

3

2

1

D

D

C

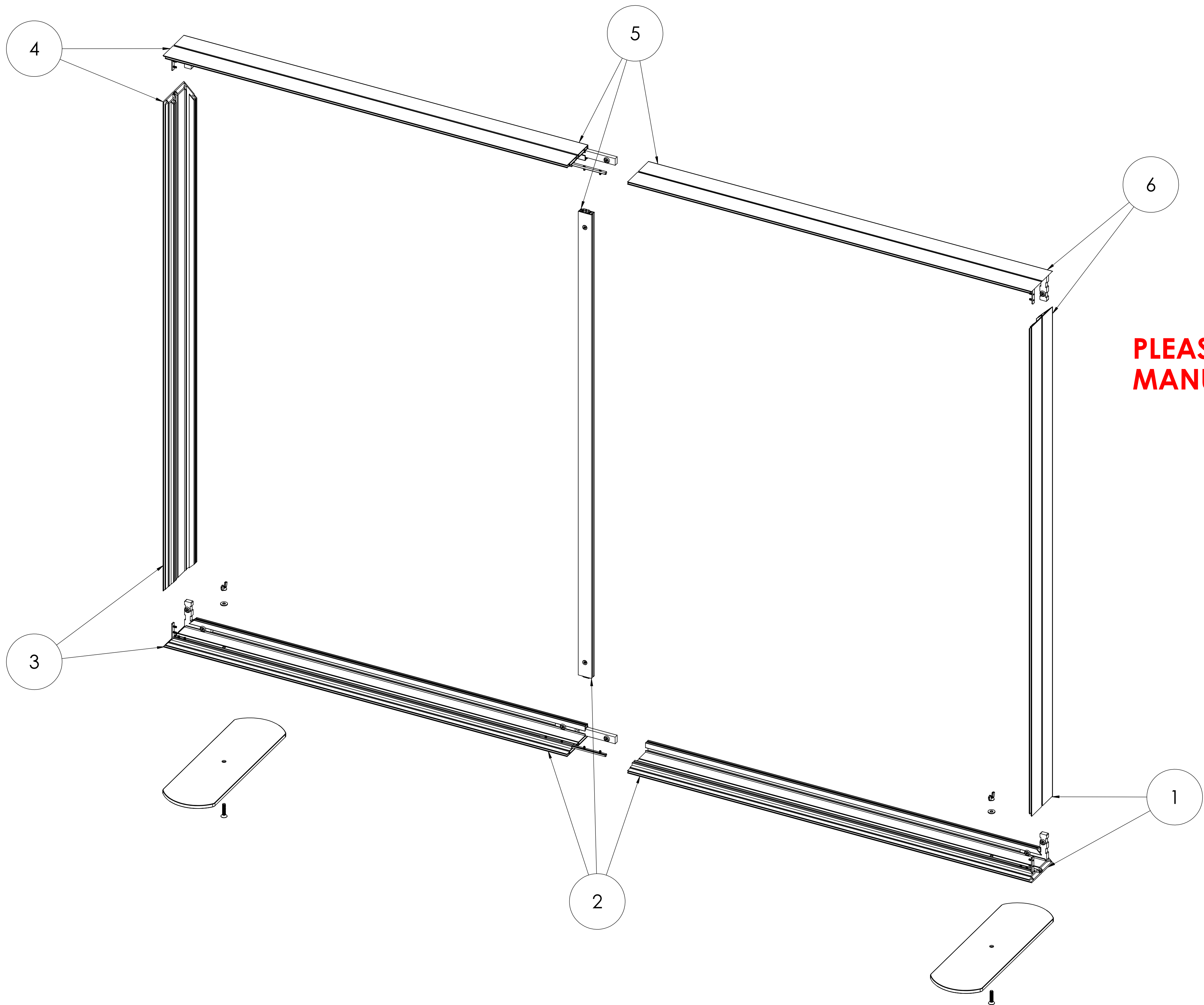
C

B

B

A

A



**PLEASE REFER TO LAST PAGE OF  
MANUAL FOR SEG INSTRUCTIONS**

NOTES: UNLESS OTHERWISE SPECIFIED

- 1. ASSEMBLY TIME: 1 HOUR WITH 1 PERSON.
- 2. FEET MAY VARY.

**60-120in WIDE x UP To 60in H. SINGLE-SIDED FRAME**

SIZE <b>D</b>	DWG. NO. Universal 60-120in W x UP To 60in H SSP	REV <b>A</b>
SCALE: 1:8	WEIGHT:	SHEET 1 OF 3

8

7

6

5

4

3

2

1

8

7

6

5

4

3

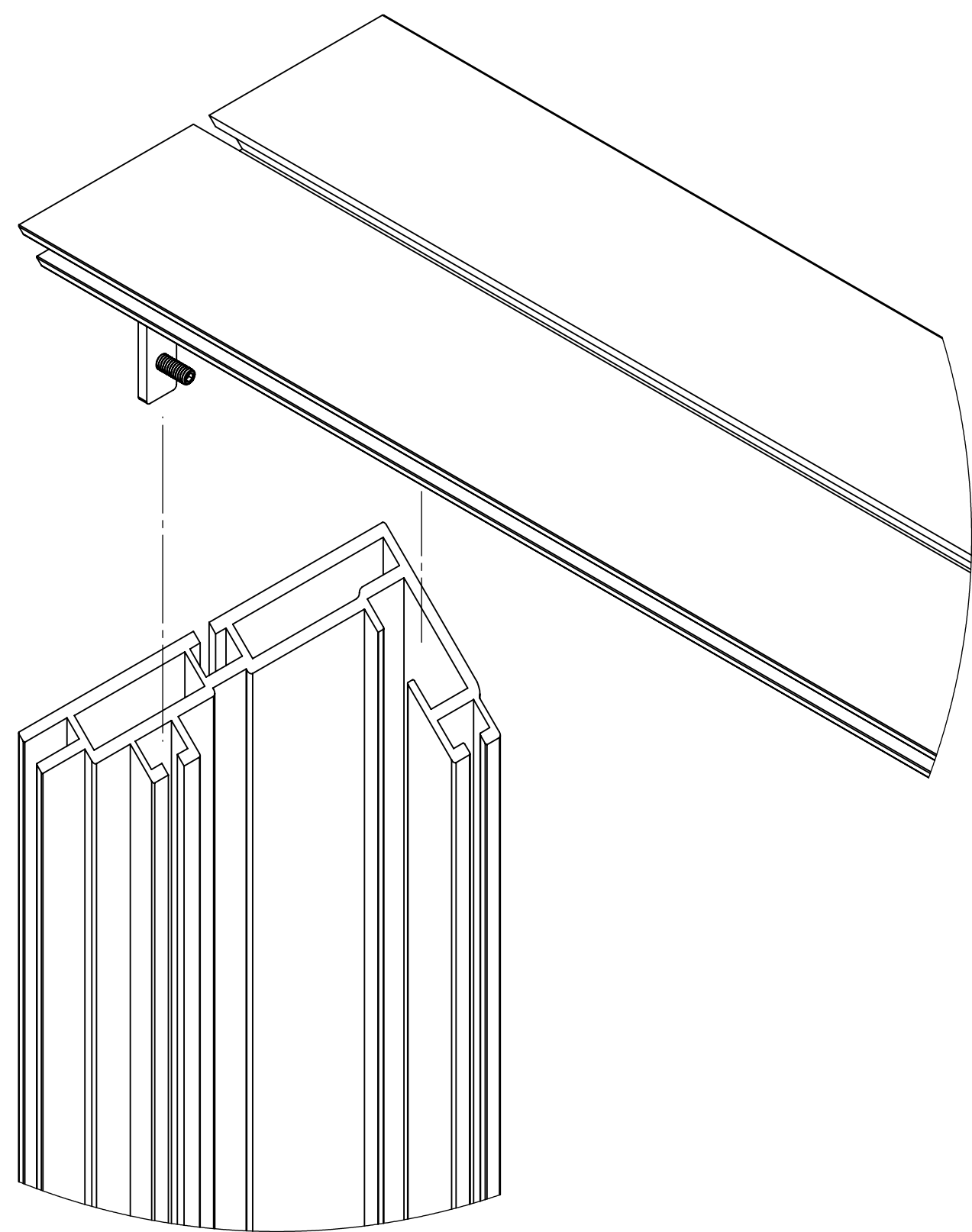
2

1

D

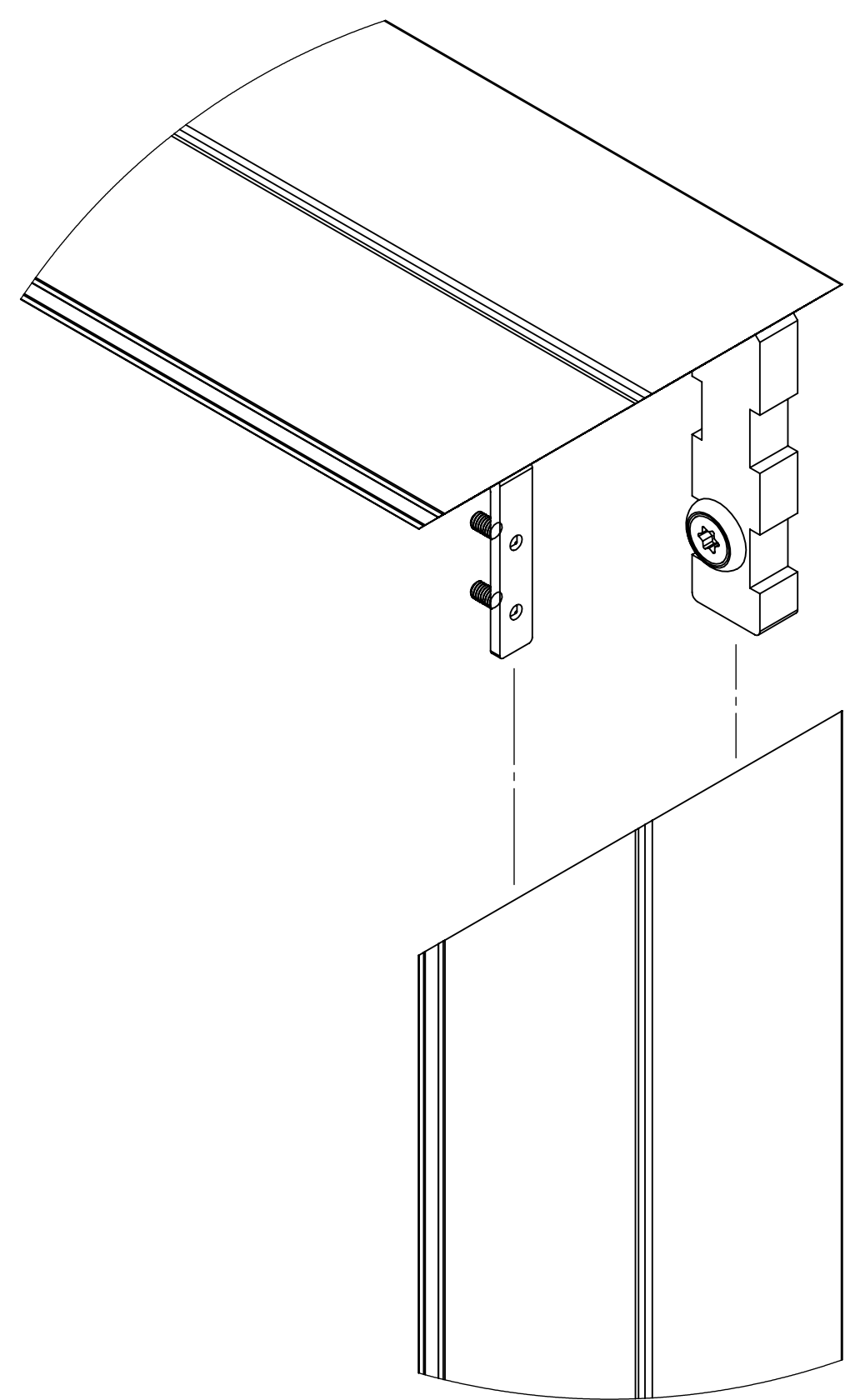
D

DETAIL A  
SCALE 3 : 4



C

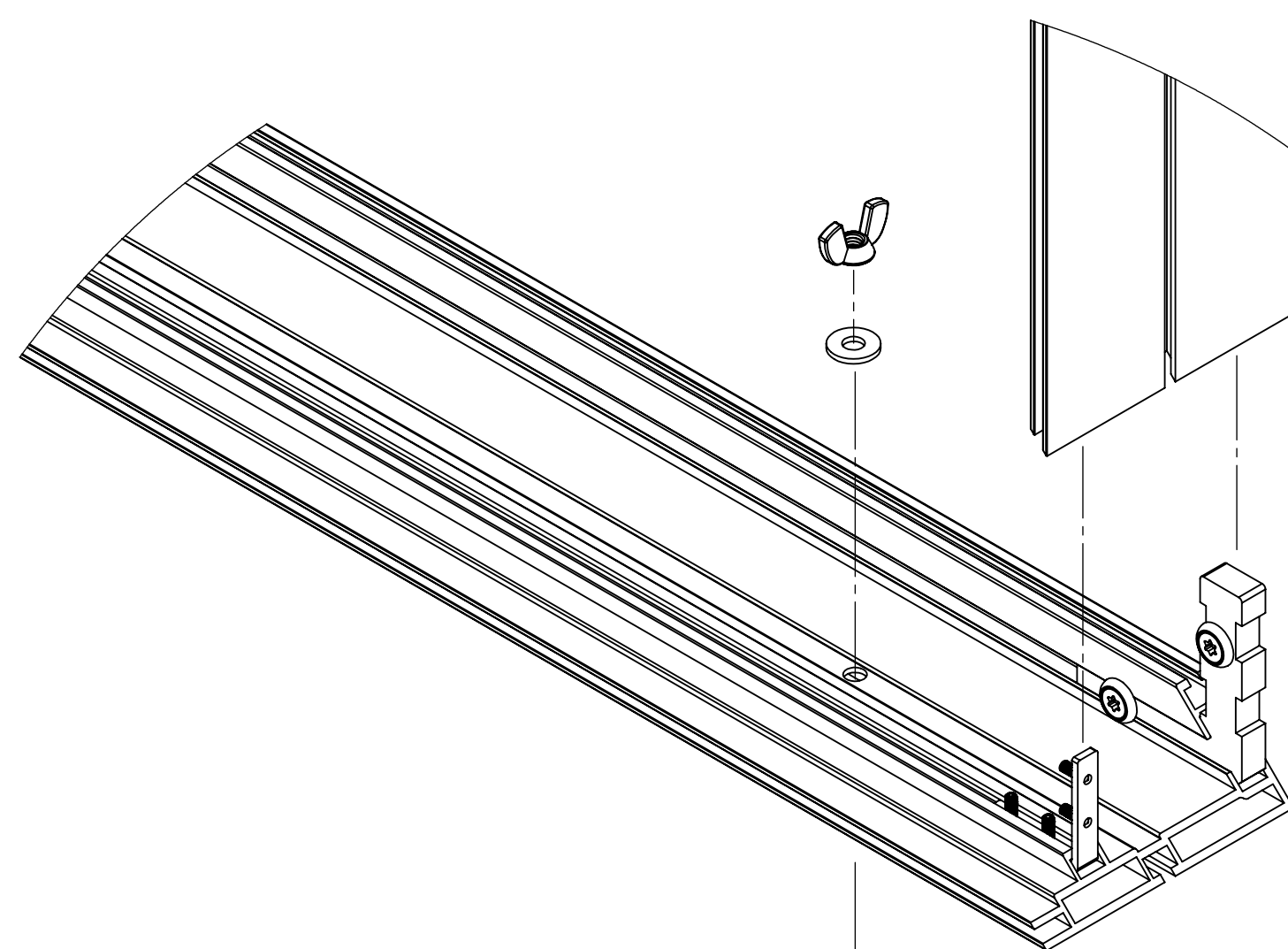
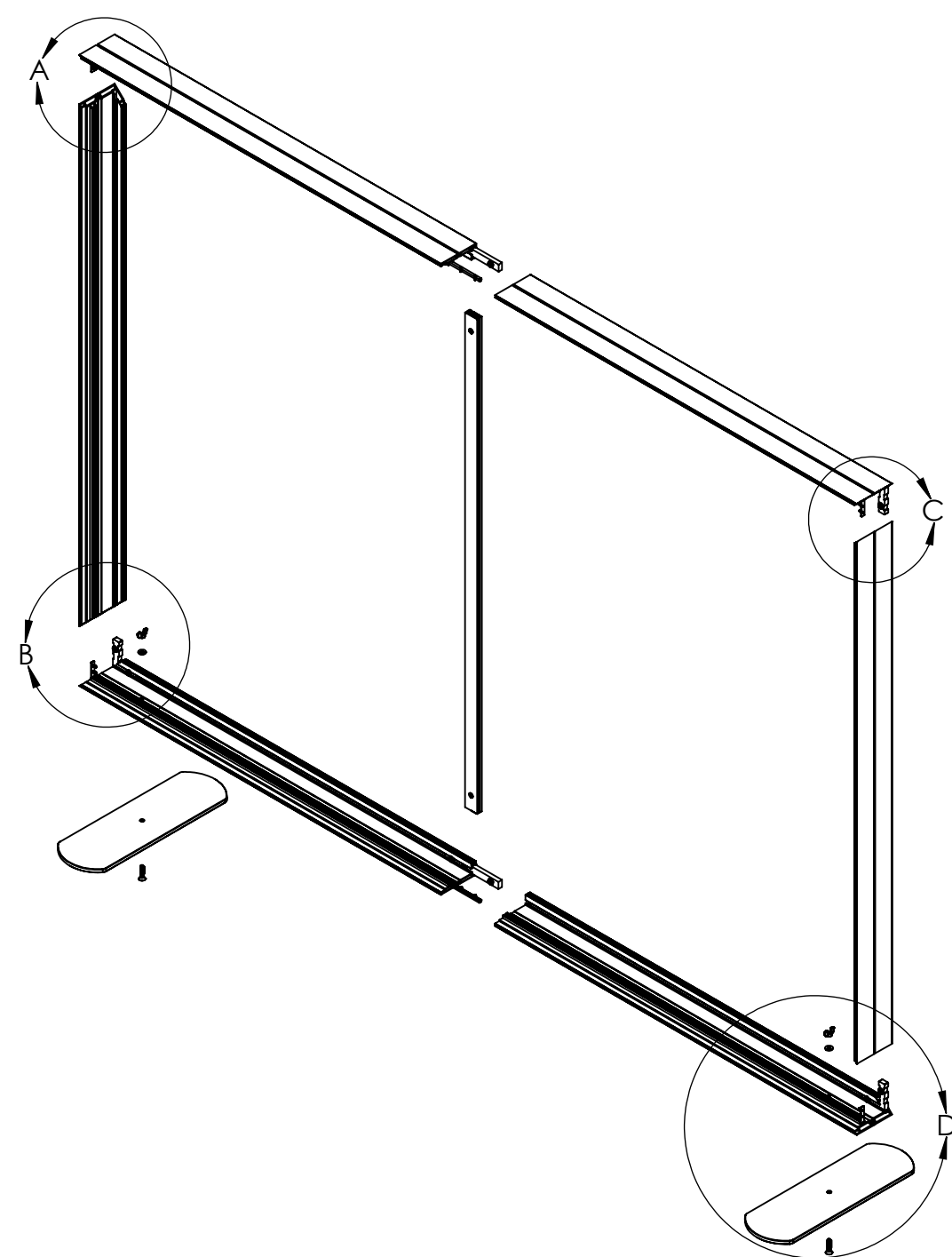
C



DETAIL C  
SCALE 3 : 4

B

B

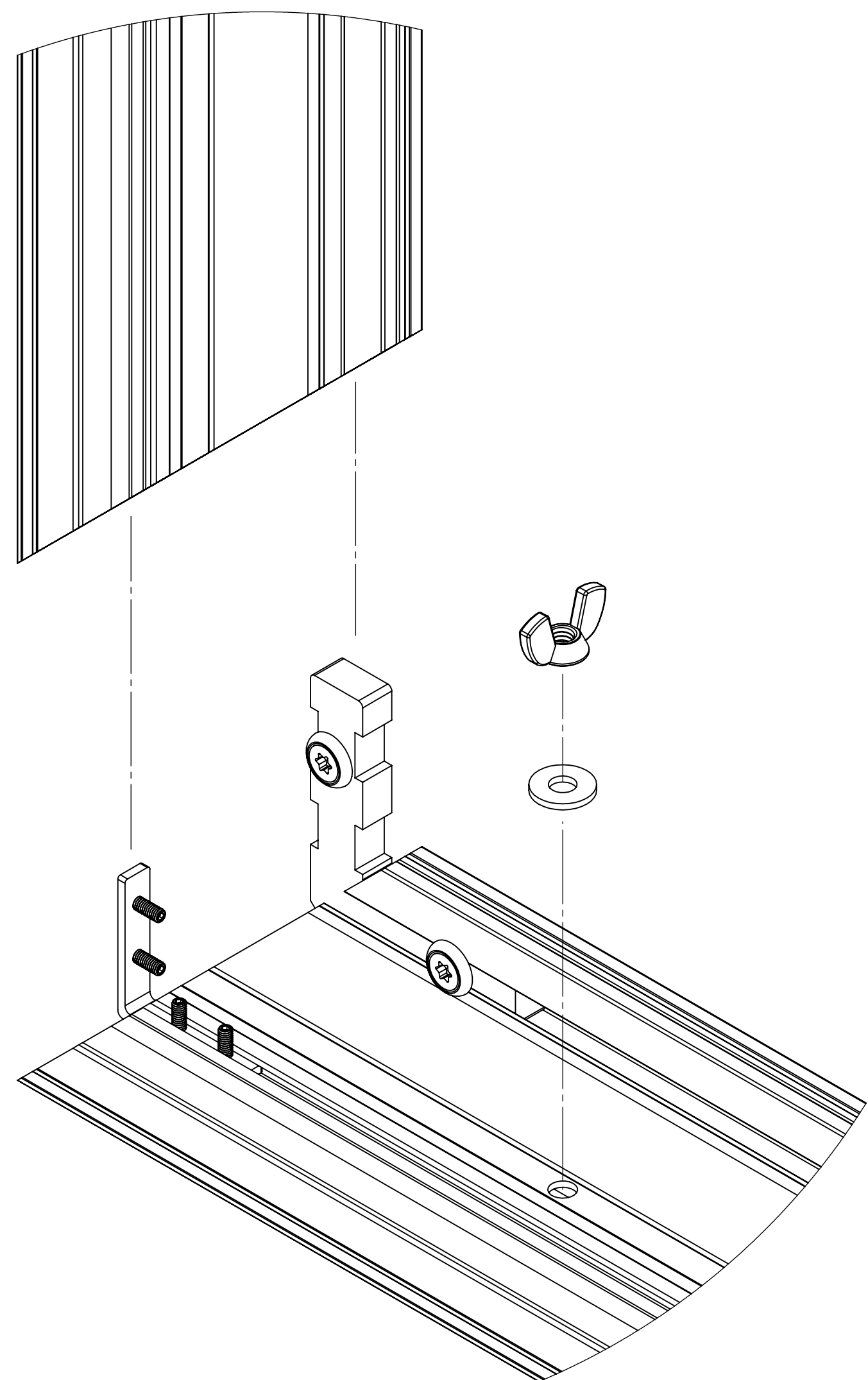


DETAIL D  
SCALE 7 : 16

A

A

DETAIL B  
SCALE 3 : 4



8

7

6

5

4

3

2

1

8 7 6 5 4 3 2 1

D

D

C

C

B

B

A

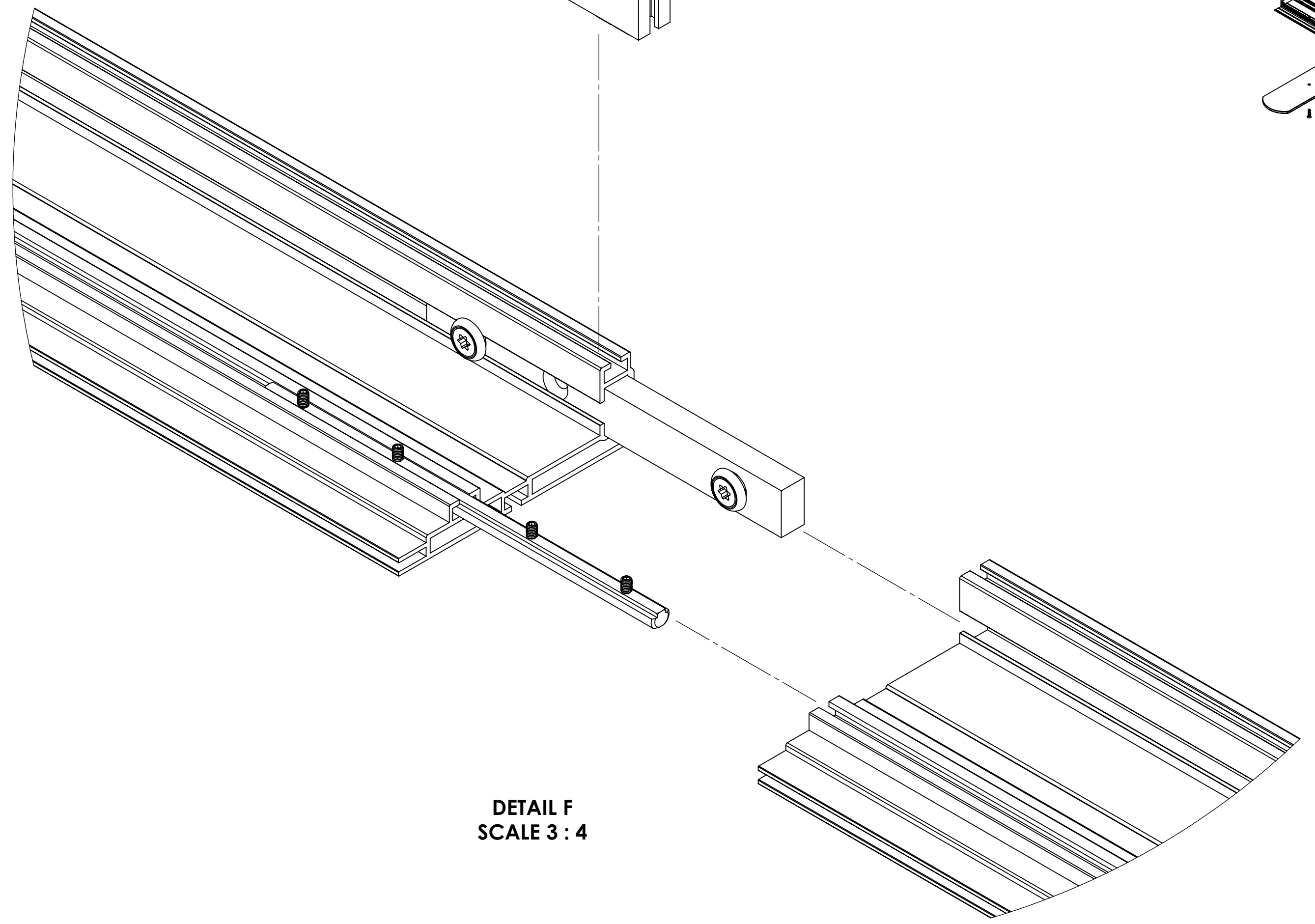
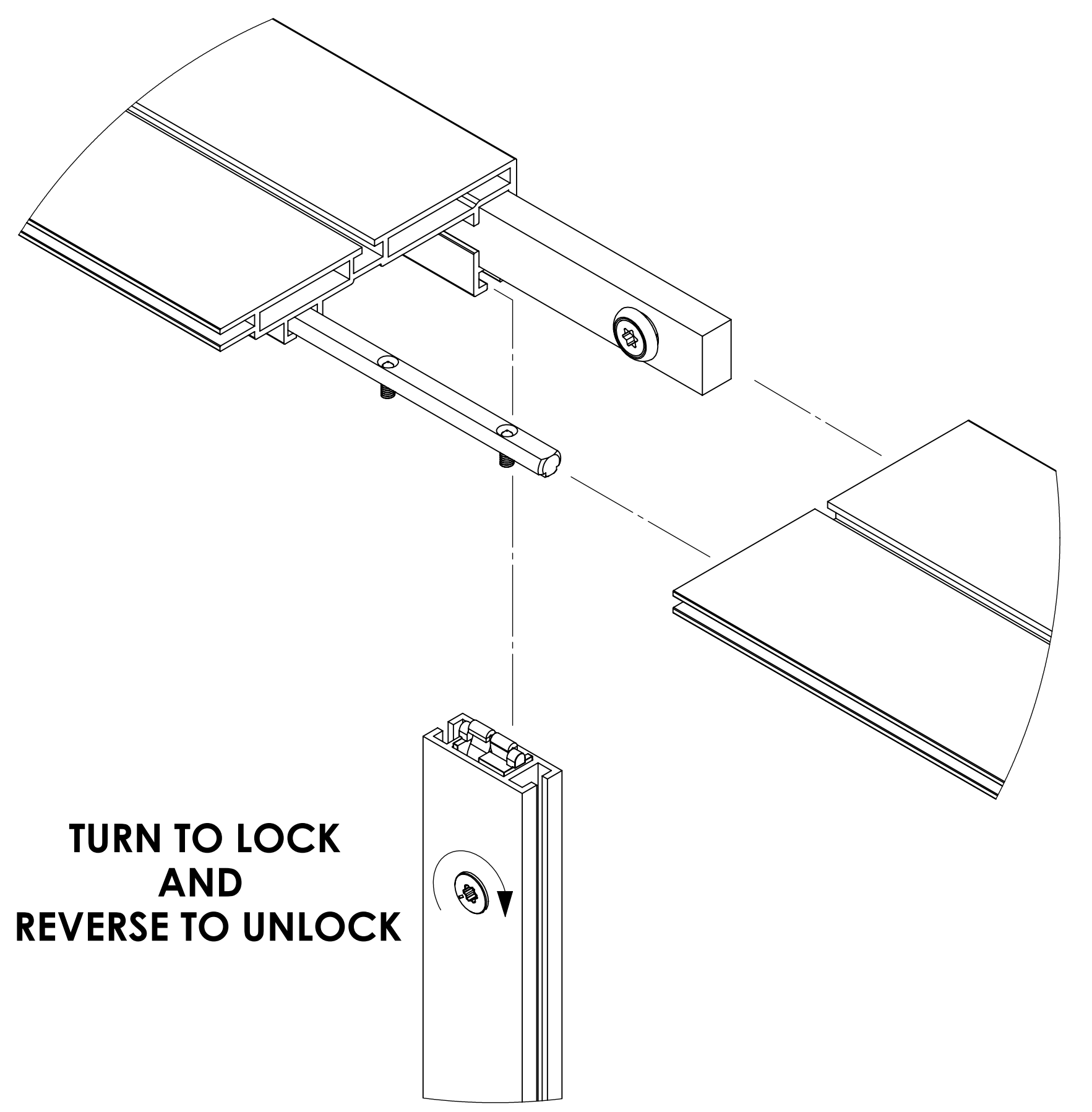
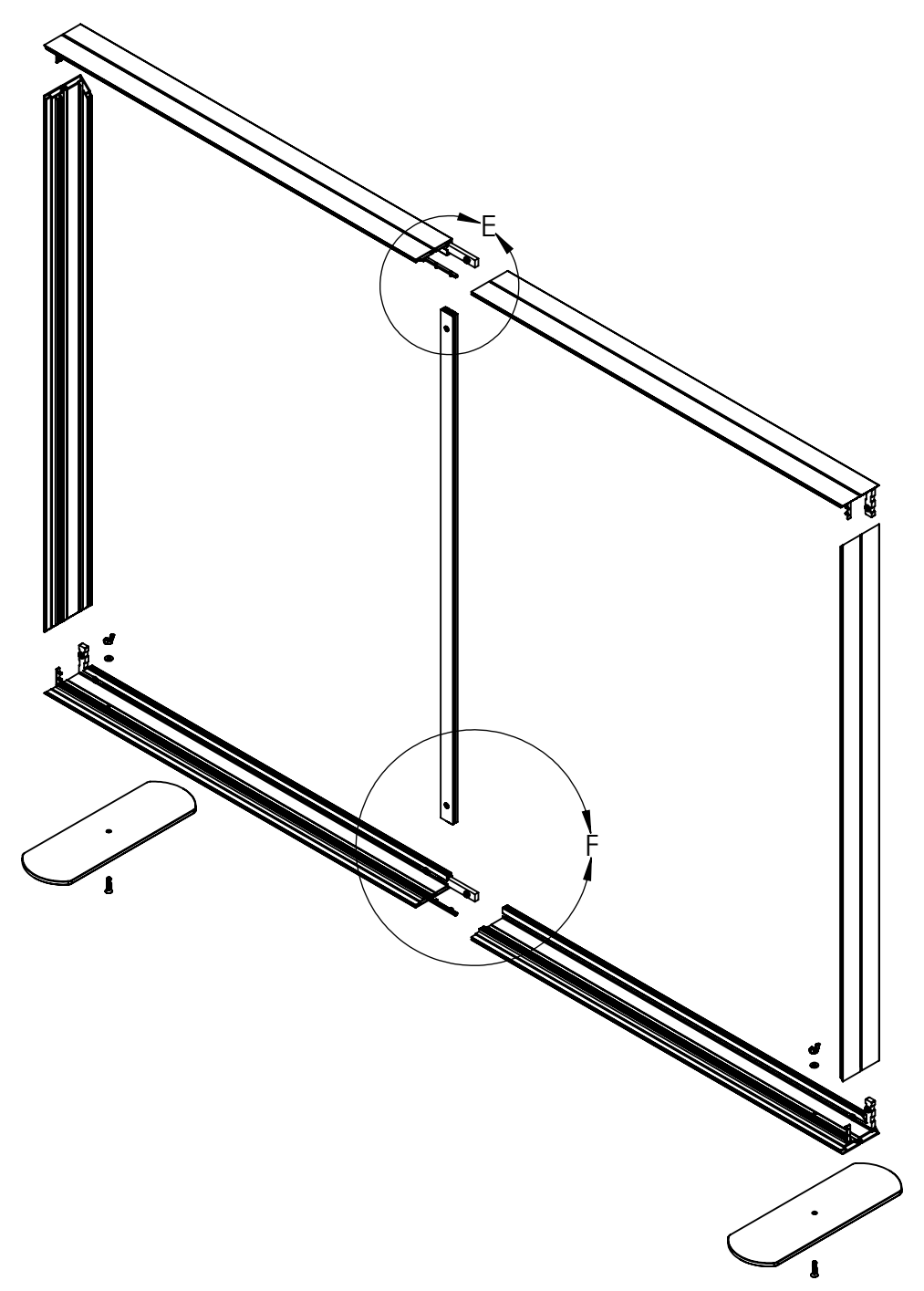
A

TURN TO LOCK  
AND  
REVERSE TO UNLOCK

TURN TO LOCK  
AND  
REVERSE TO UNLOCK

DETAIL E  
SCALE 3 : 4

DETAIL F  
SCALE 3 : 4



8 7 6 5 4 3 2 1