

D

D

C

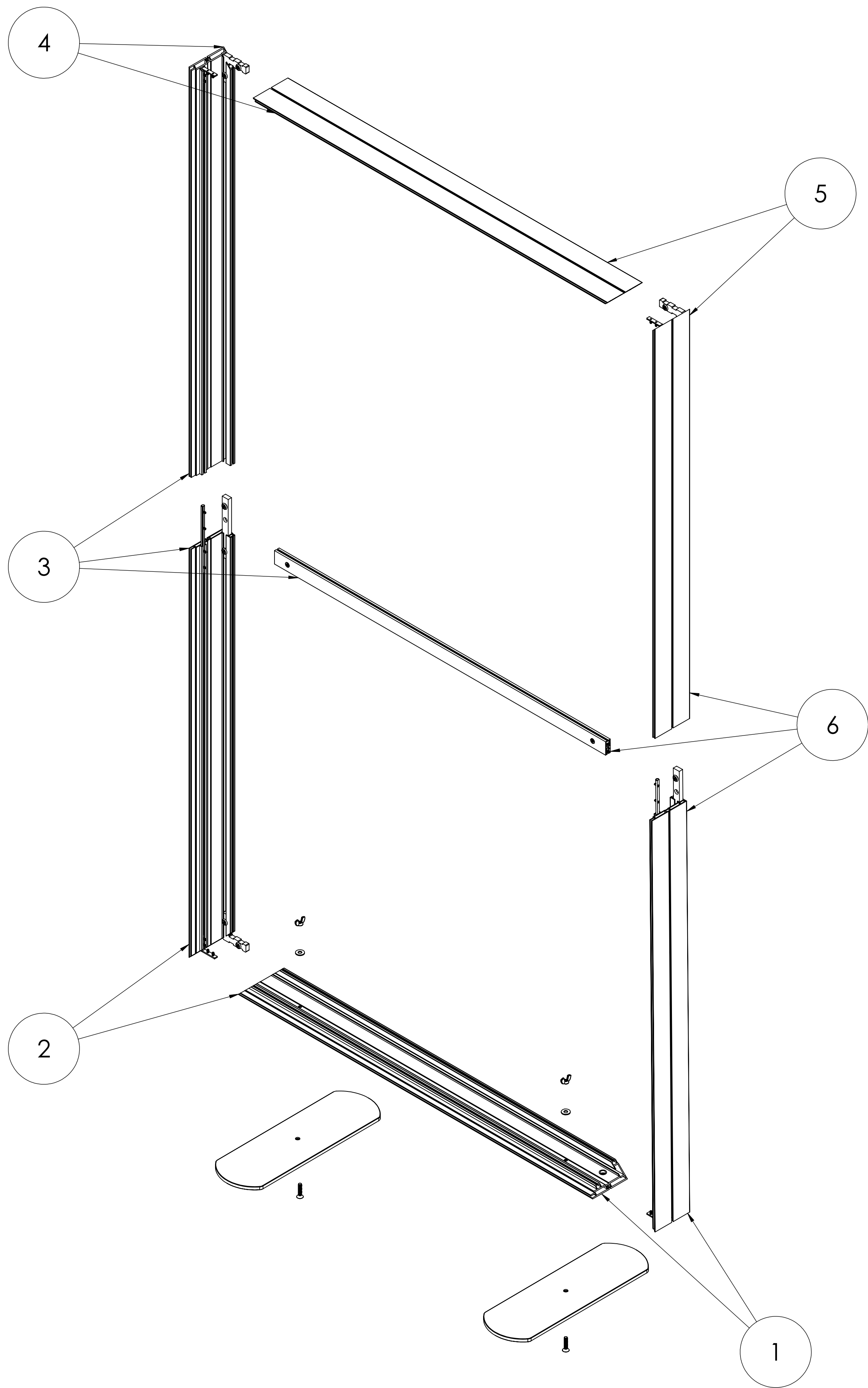
C

B

B

A

A



**PLEASE REFER TO LAST PAGE OF
MANUAL FOR SEG INSTRUCTIONS**

NOTES: UNLESS OTHERWISE SPECIFIED

- 1. ASSEMBLY TIME: 1 HOUR WITH 1 PERSON.
- 2. FEET MAY VARY.

24-60in WIDE x 61-96in H. SINGLE-SIDED FRAME

SIZE	DWG. NO.	REV
D	Universal 24-60in x 61-96in SSF	A
SCALE: 1:12	WEIGHT:	SHEET 1 OF 4

8

7

6

5

4

3

2

1

D

D

C

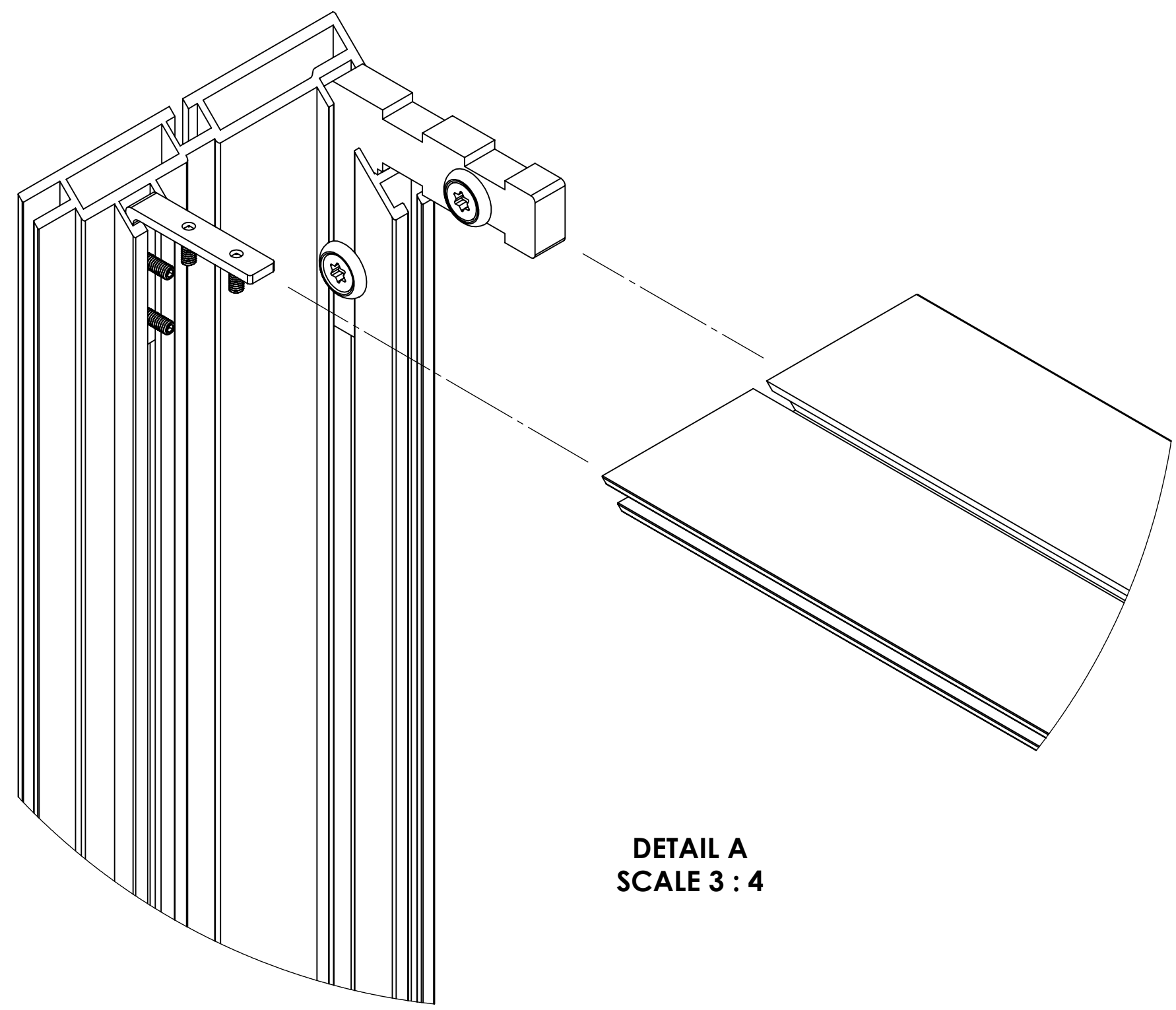
C

B

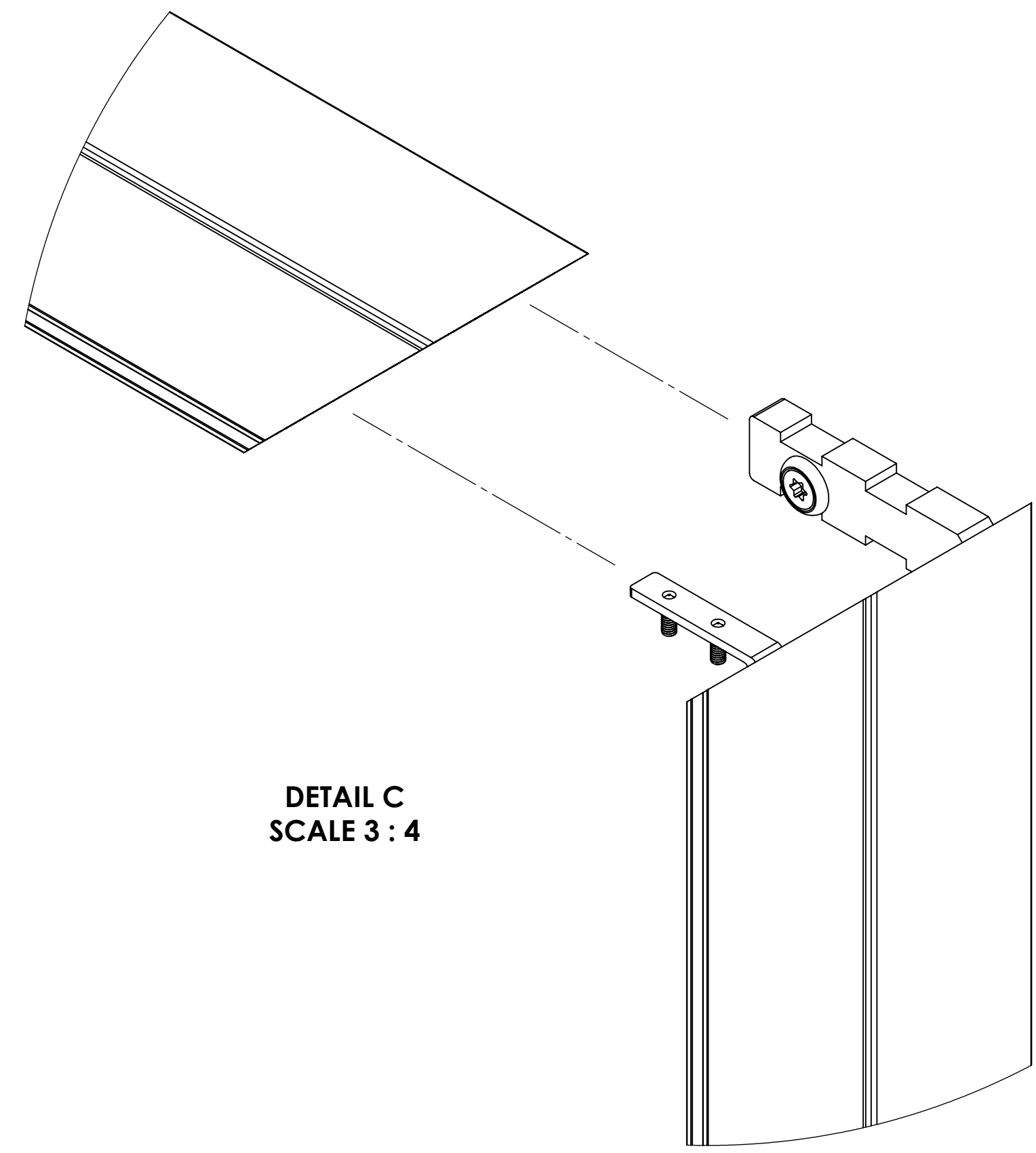
B

A

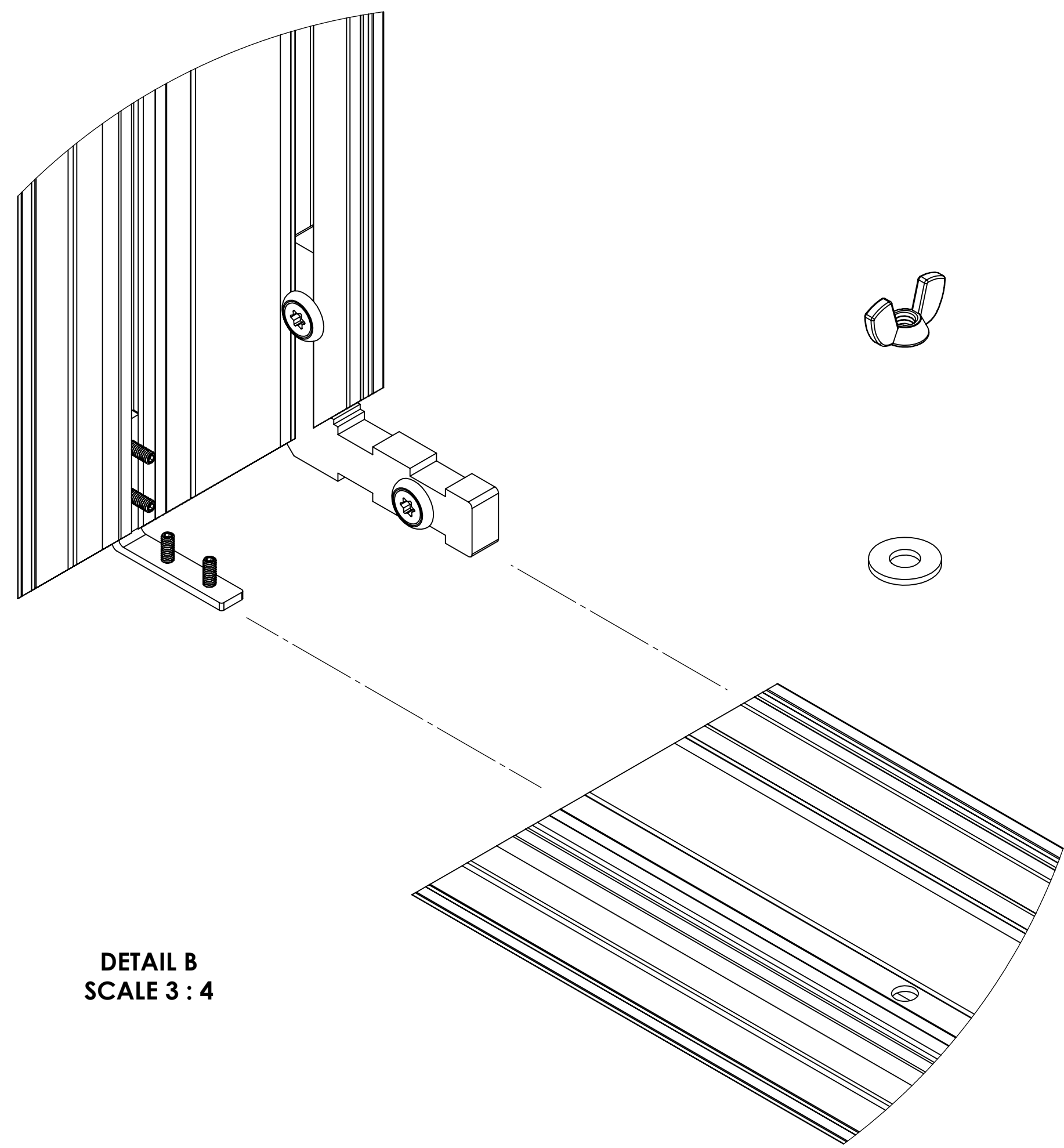
A



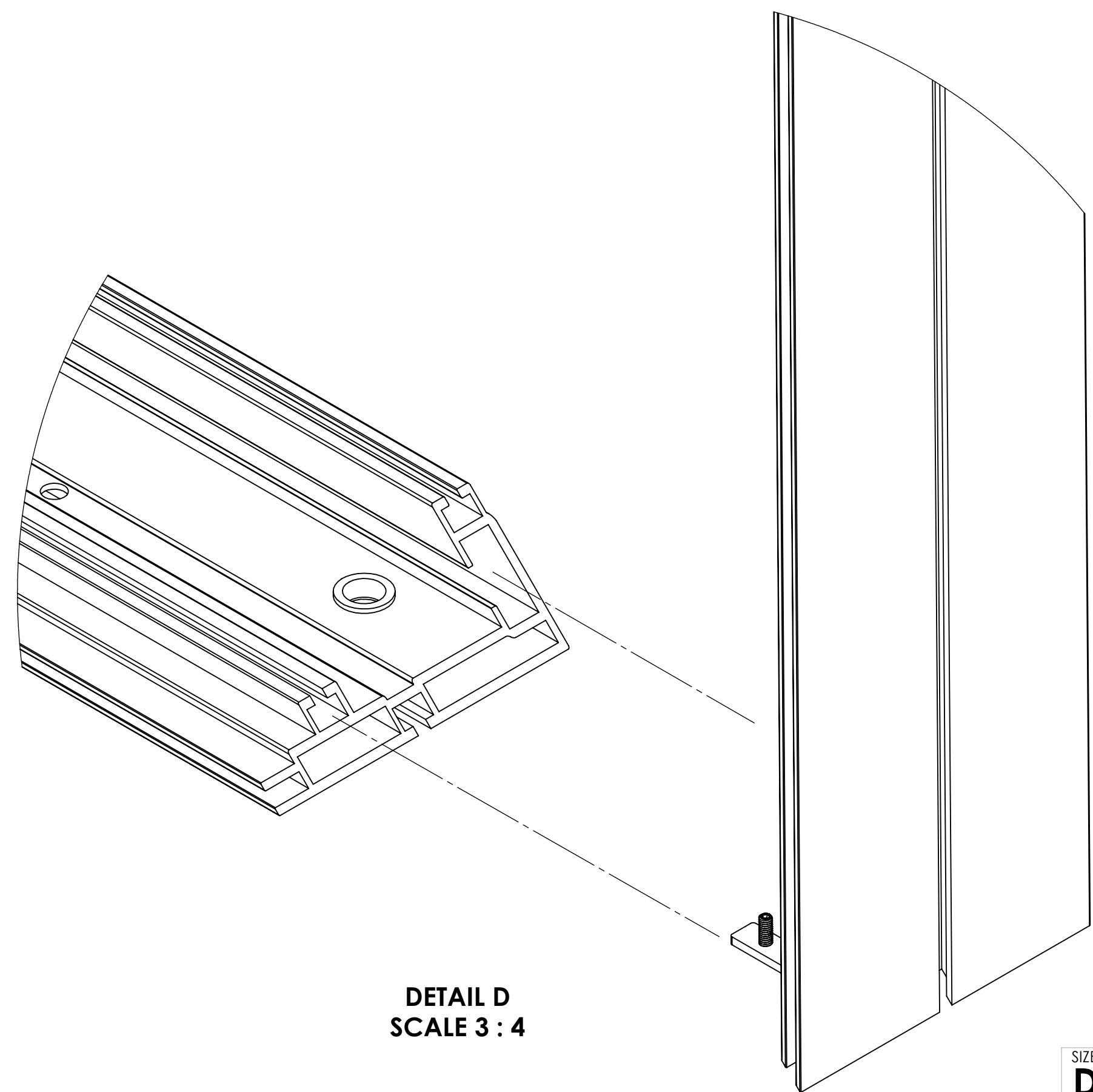
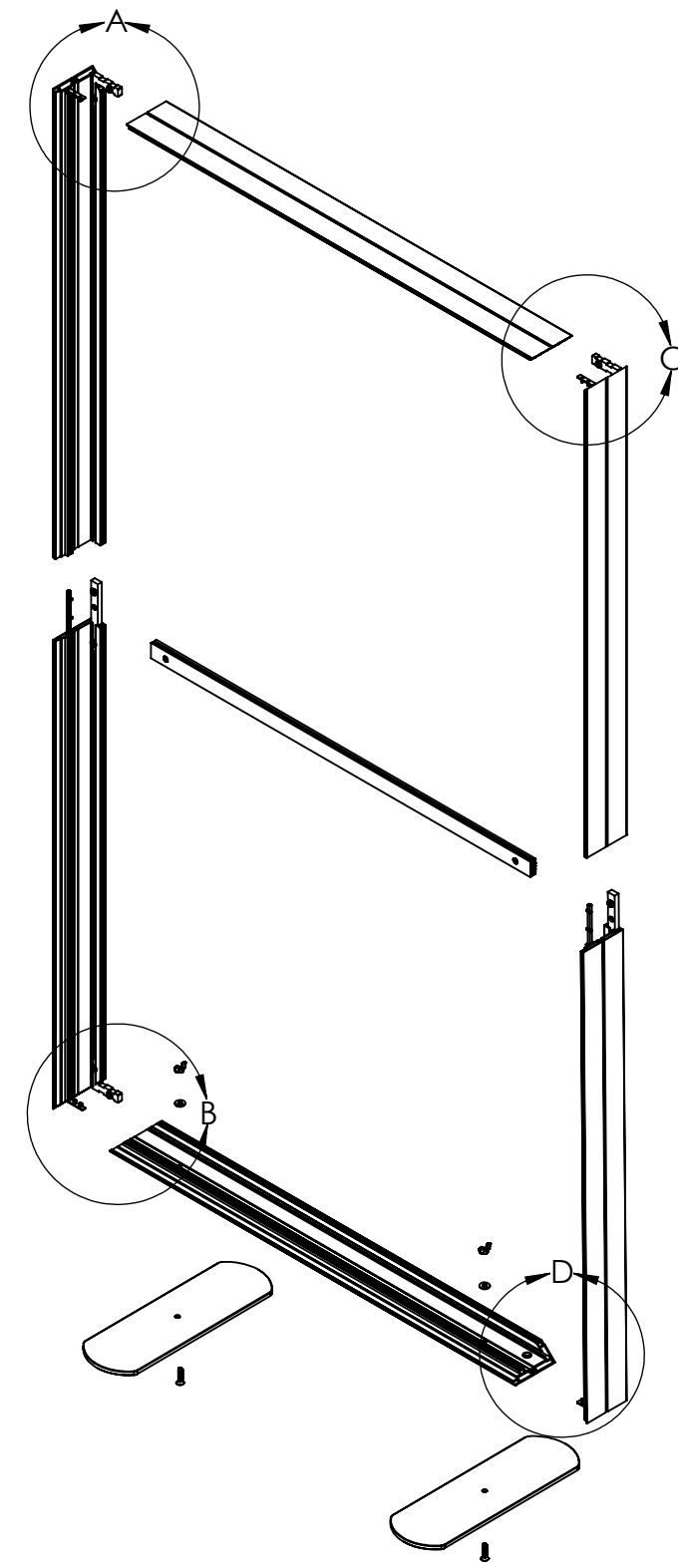
DETAIL A
SCALE 3 : 4



DETAIL C
SCALE 3 : 4



DETAIL B
SCALE 3 : 4



DETAIL D
SCALE 3 : 4

8

7

6

5

4

3

2

1

8

7

6

5

4

3

2

1

D

D

C

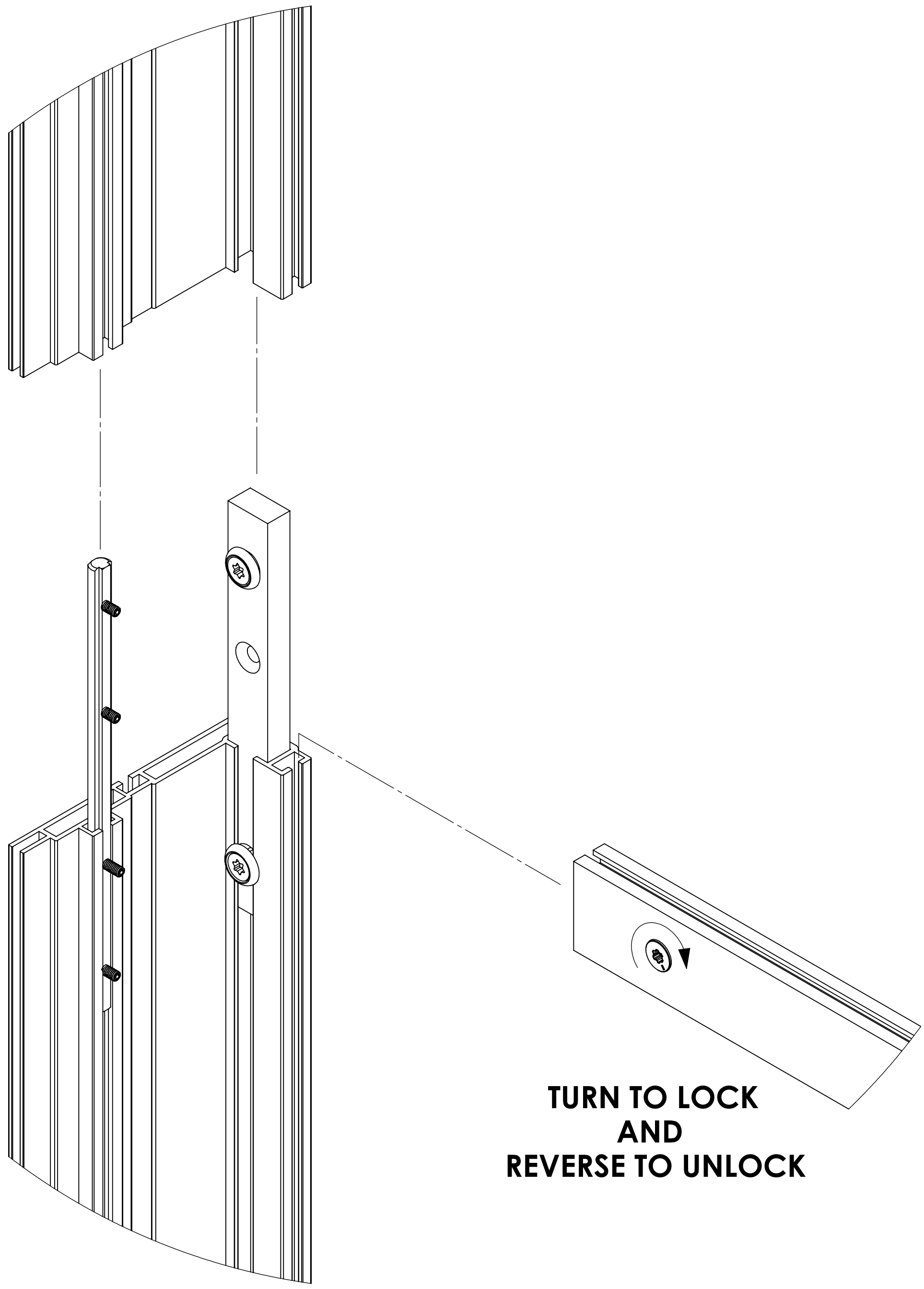
C

B

B

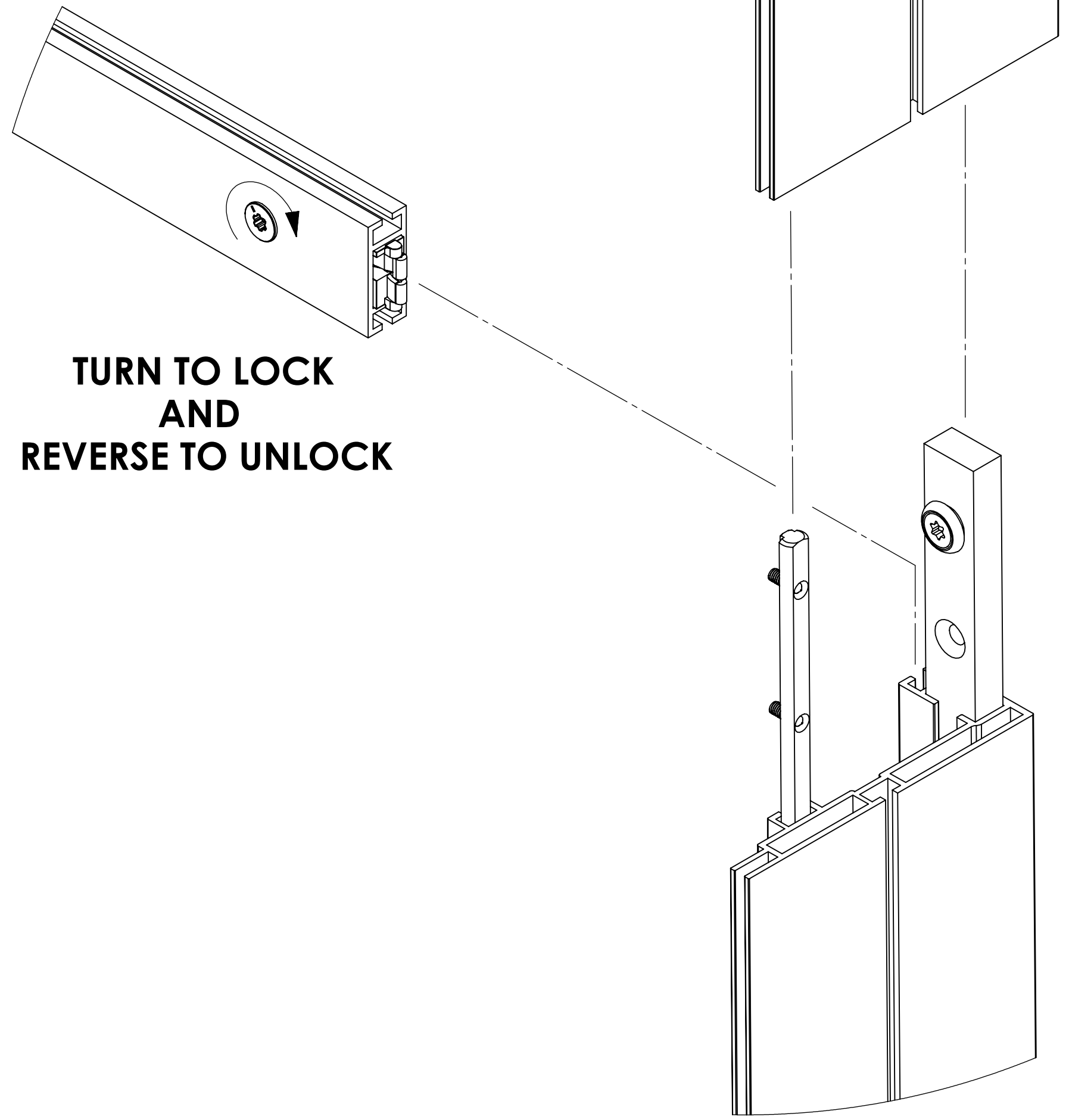
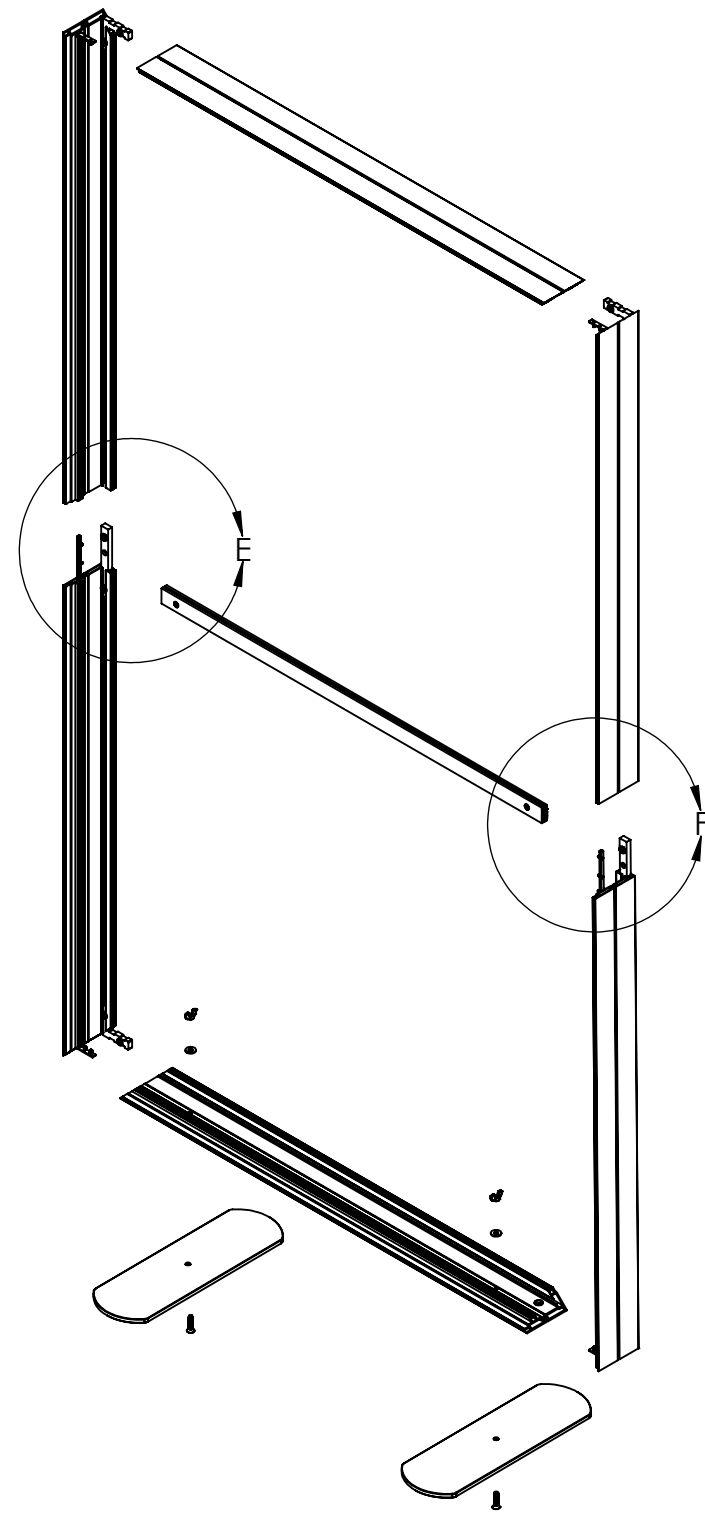
A

A



DETAIL E
SCALE 3 : 4

TURN TO LOCK
AND
REVERSE TO UNLOCK



TURN TO LOCK
AND
REVERSE TO UNLOCK

DETAIL F
SCALE 3 : 4

8

7

6

5

4

3

2

1

8

7

6

5

4

3

2

1

D

D

C

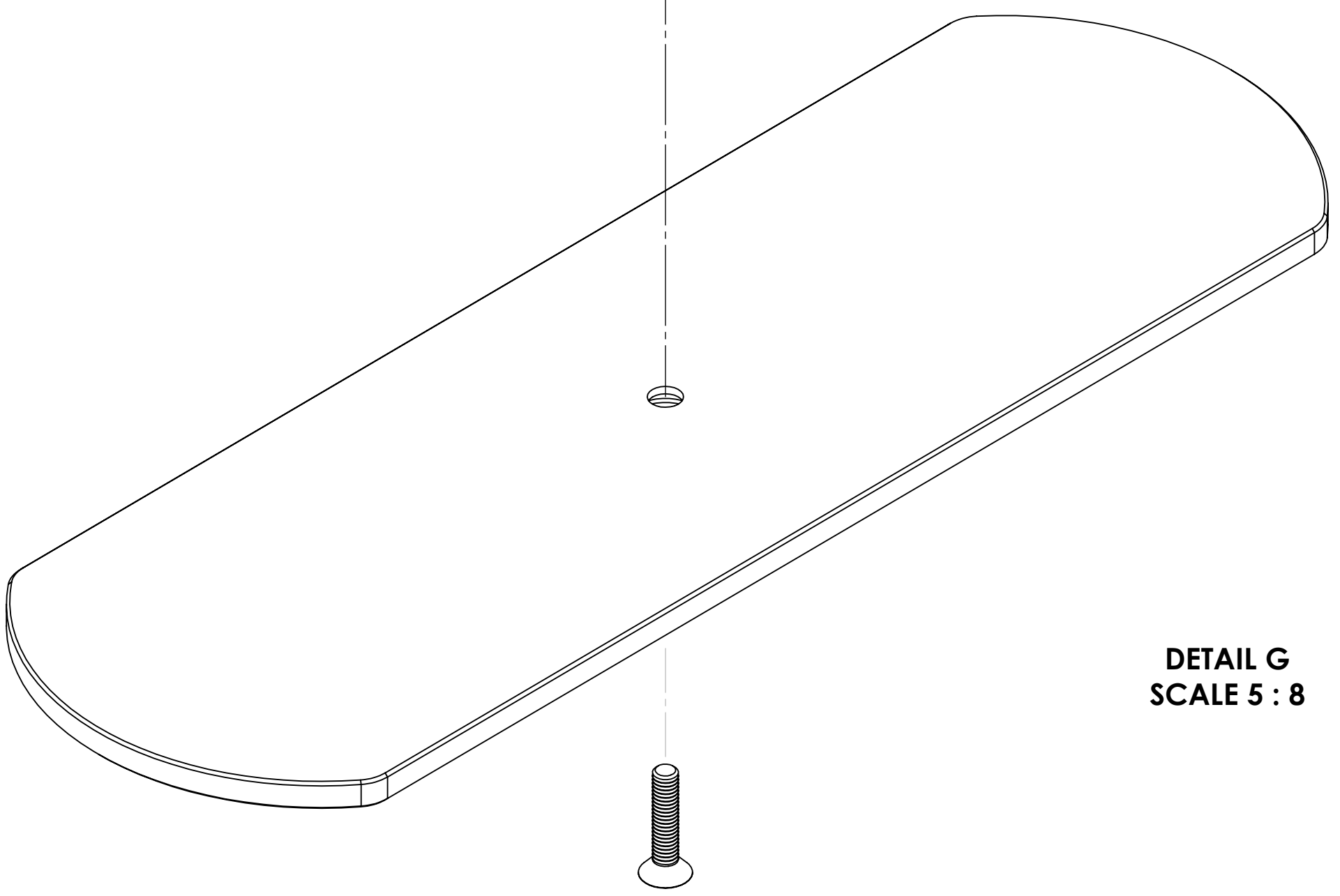
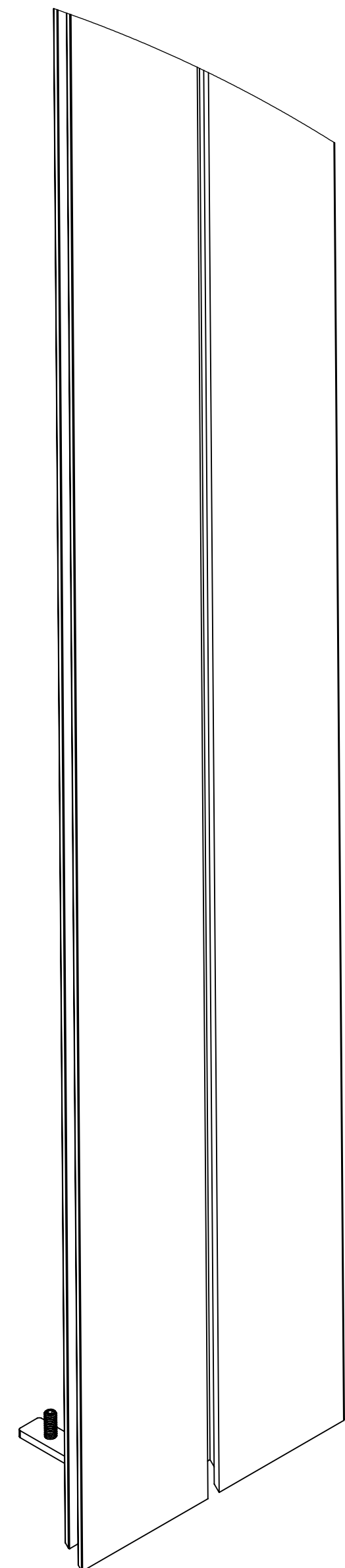
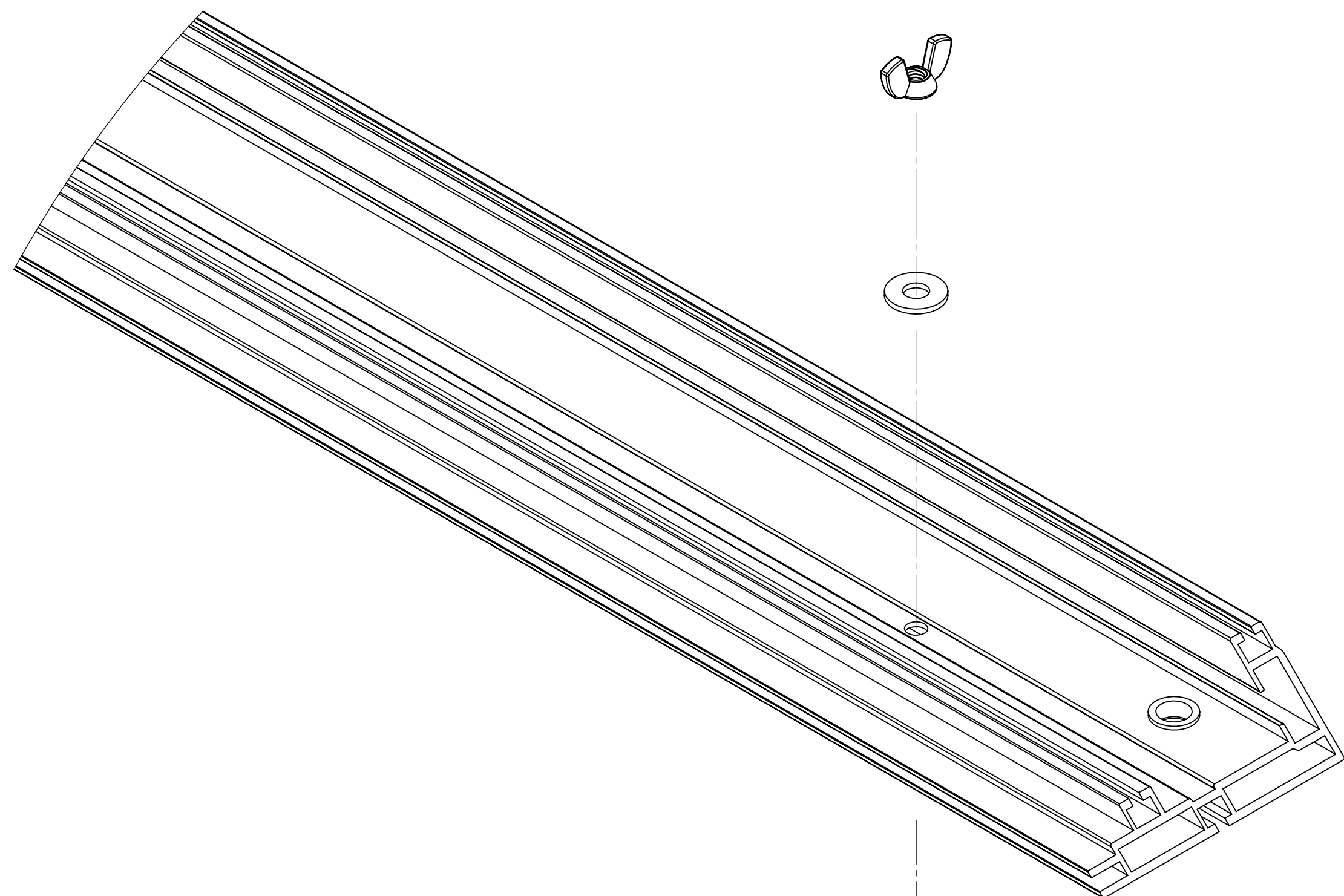
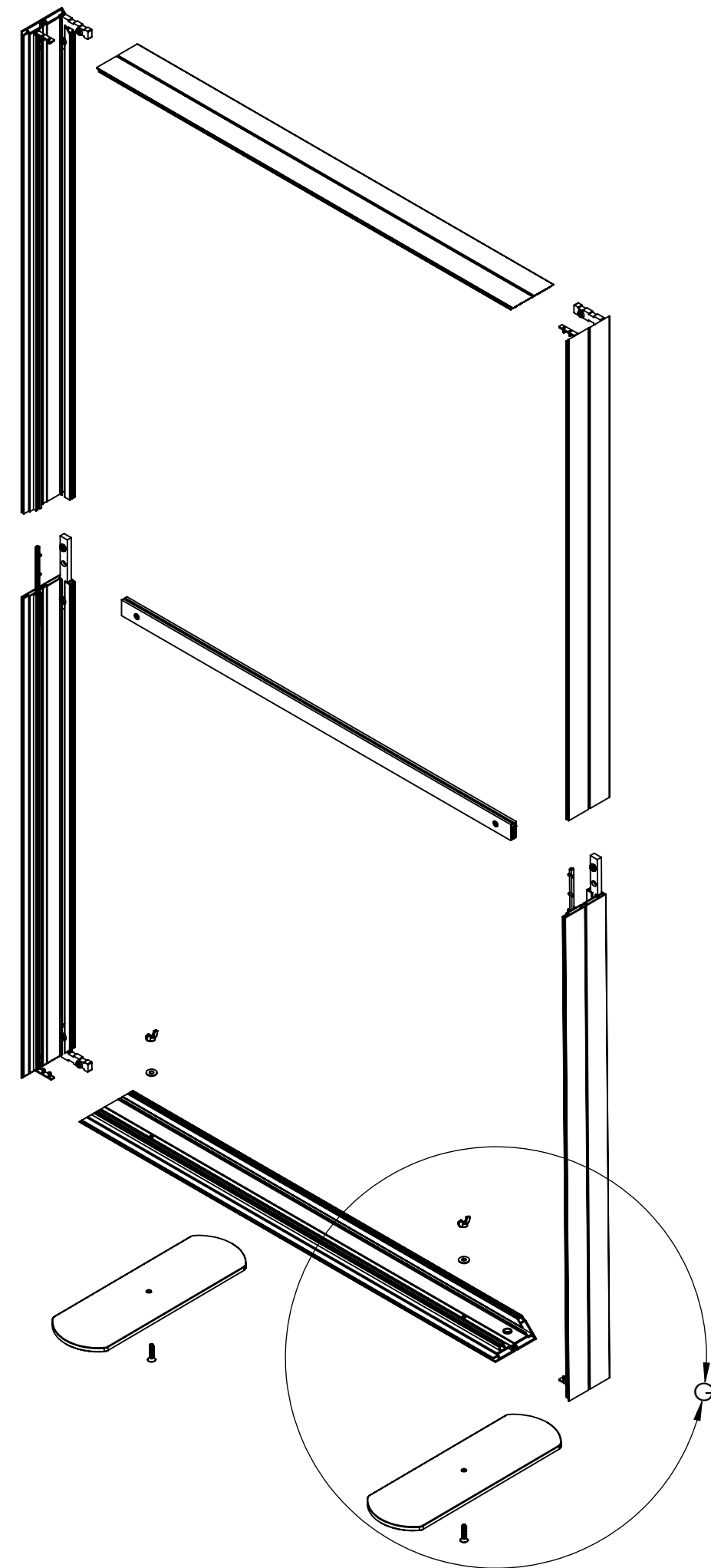
C

B

B

A

A



DETAIL G
SCALE 5 : 8

8

7

6

5

4

3

2

1