

**PLEASE REFER TO LAST PAGE OF  
MANUAL FOR SEG INSTRUCTIONS**

**NOTES: UNLESS OTHERWISE SPECIFIED**

- 1. ASSEMBLY TIME: 1 HOUR WITH 1 PERSON.
- 2. NUMBERED BALLOONS MATCH THE NUMBERED LABELS ON EACH PART DURING ASSEMBLY.
- 3. FEET MAY VARY.

**24-60in WIDE x 61-96in H. DOUBLE-SIDED FRAME**

SIZE	DWG. NO.	REV
<b>D</b>	Universal 24-60in x 61-96in DSF	<b>A</b>
SCALE: 1:12	WEIGHT:	SHEET 1 OF 4

8

7

6

5

4

3

2

1

D

D

C

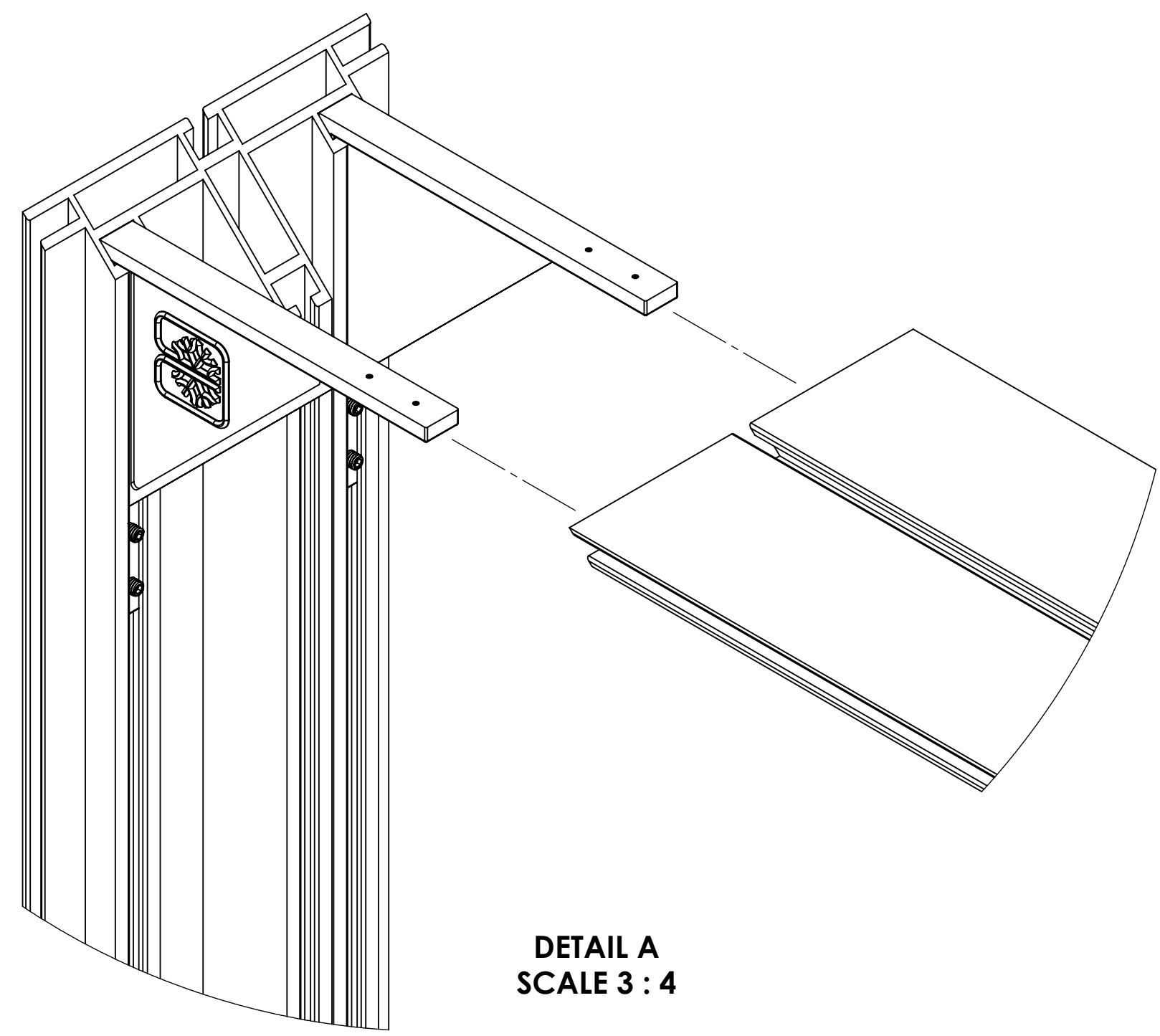
C

B

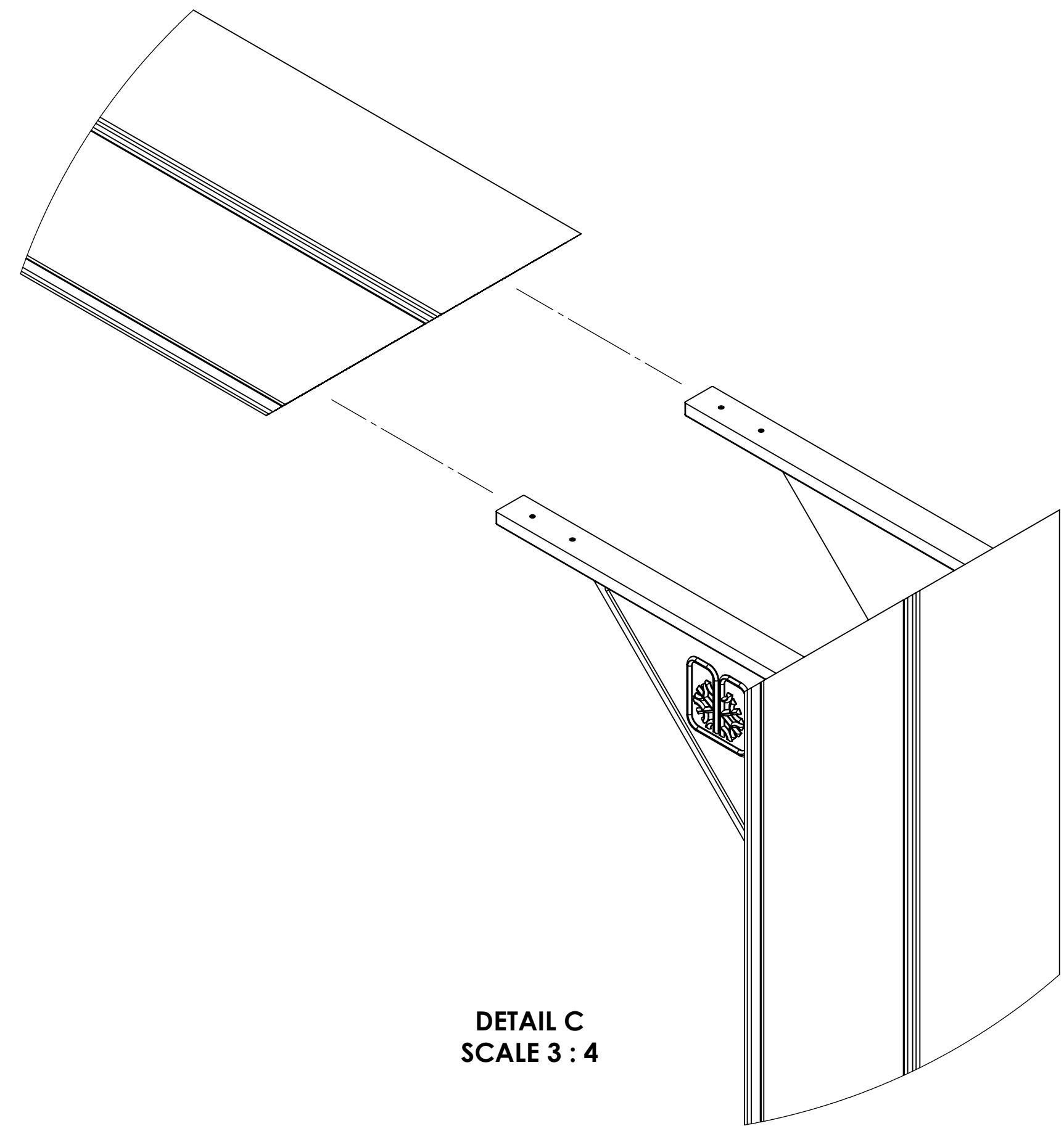
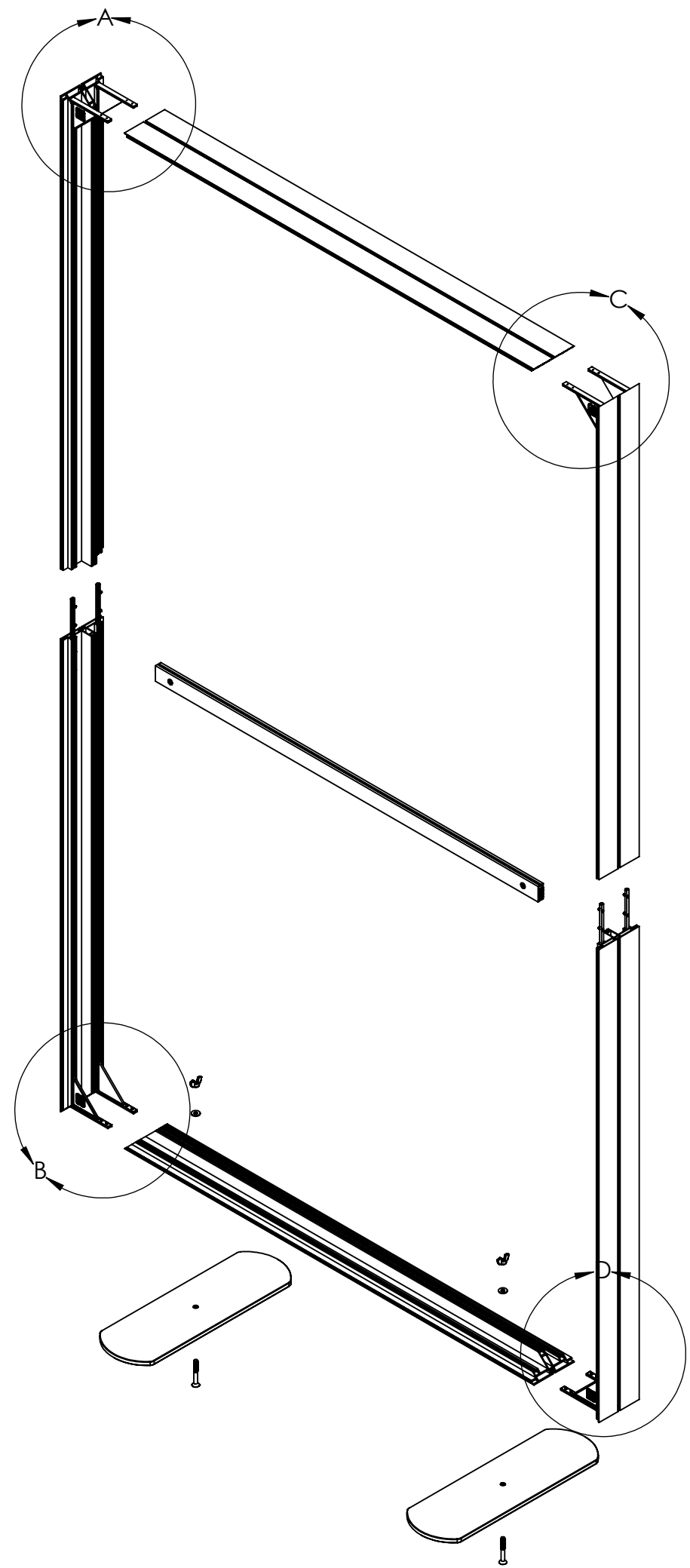
B

A

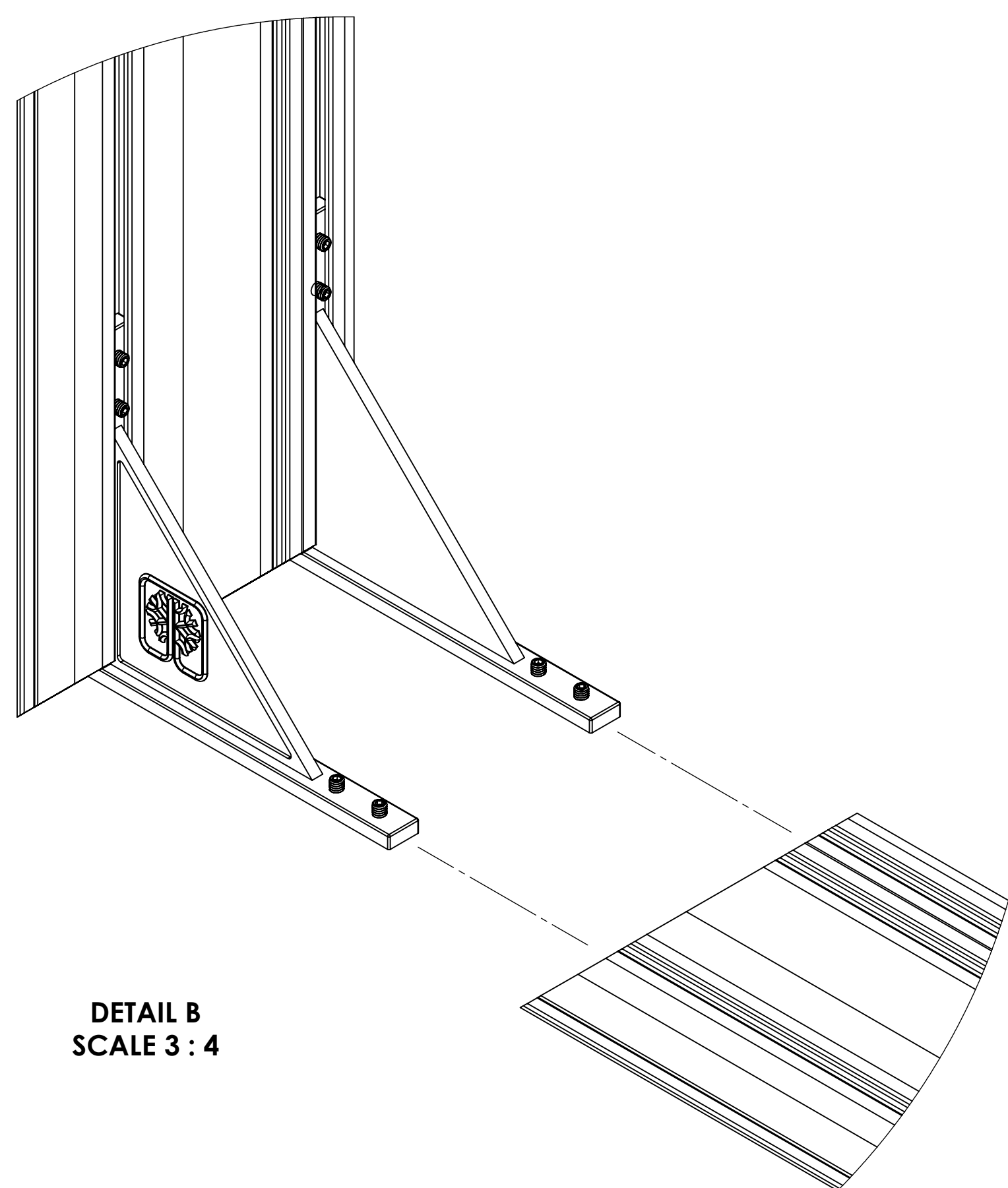
A



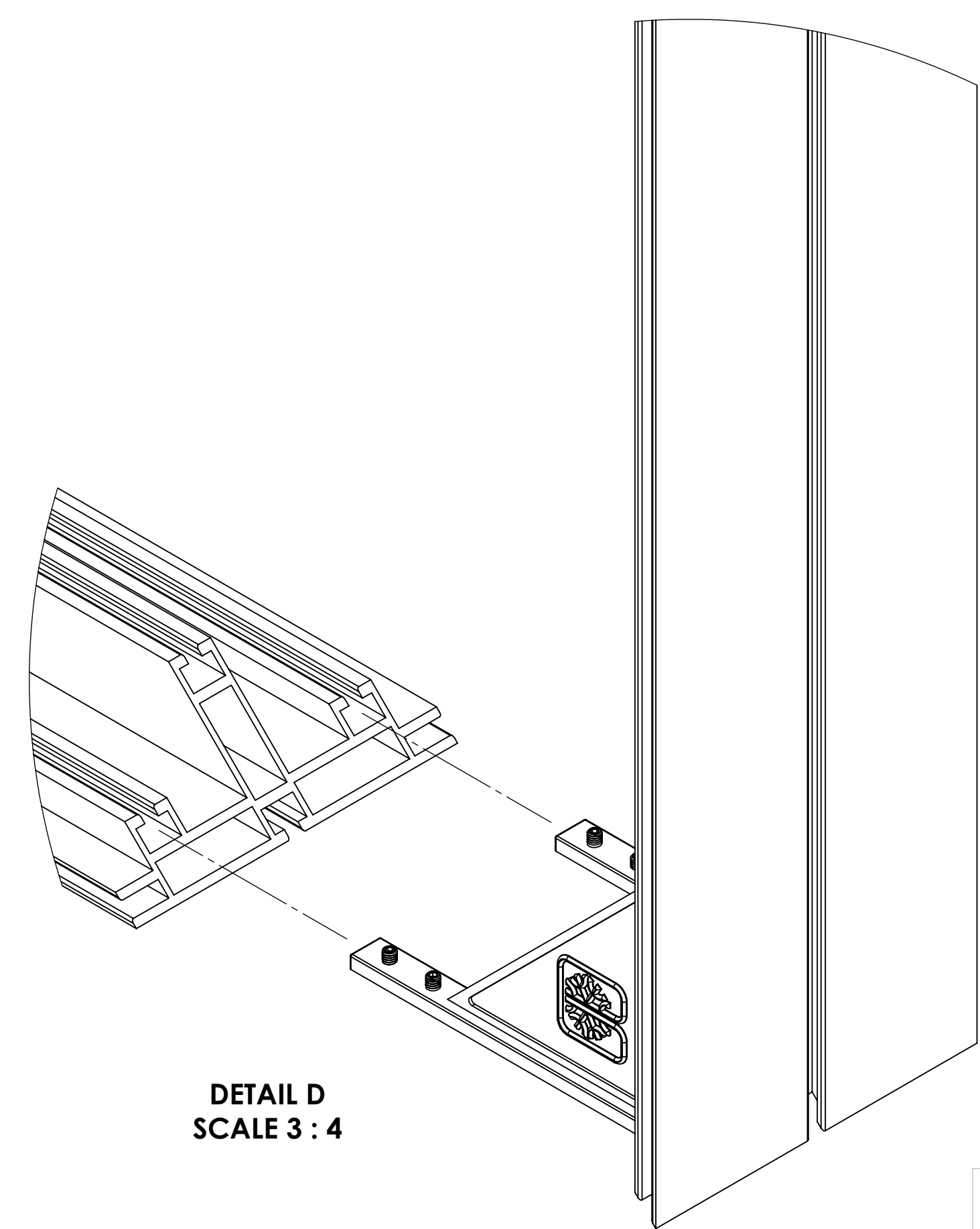
DETAIL A  
SCALE 3 : 4



DETAIL C  
SCALE 3 : 4



DETAIL B  
SCALE 3 : 4



DETAIL D  
SCALE 3 : 4

8

7

6

5

4

3

2

1

8

7

6

5

4

3

2

1

D

D

C

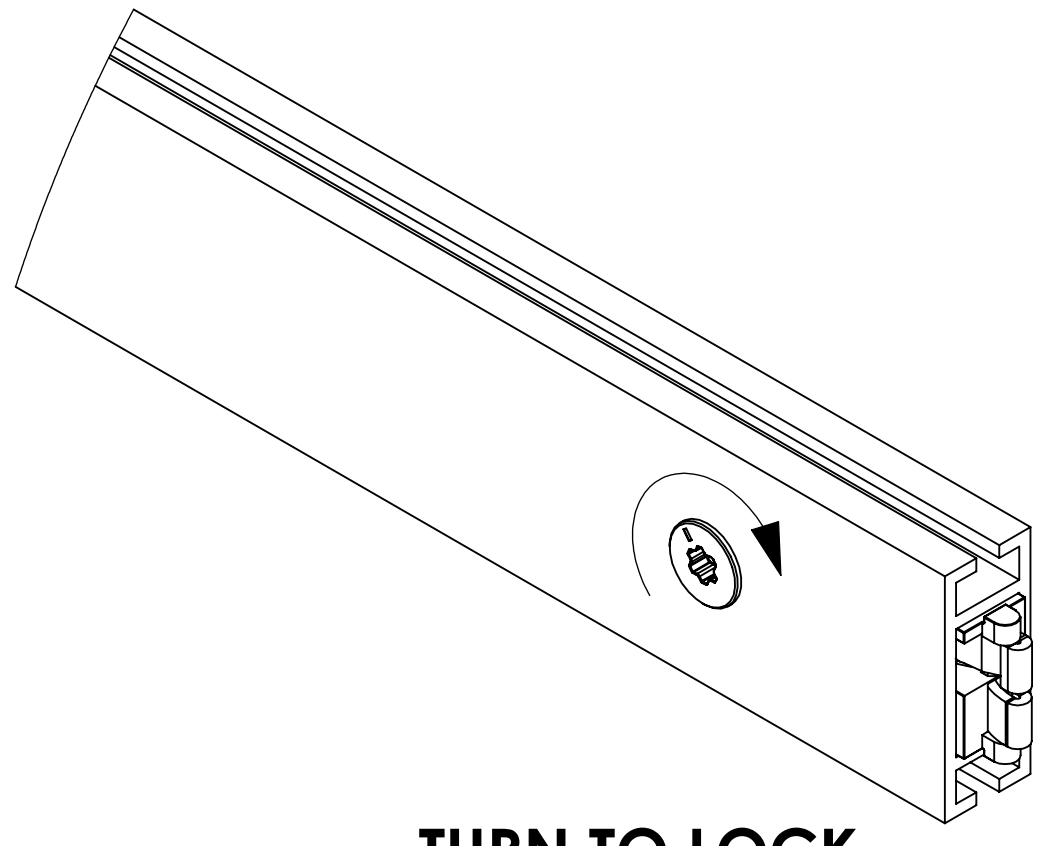
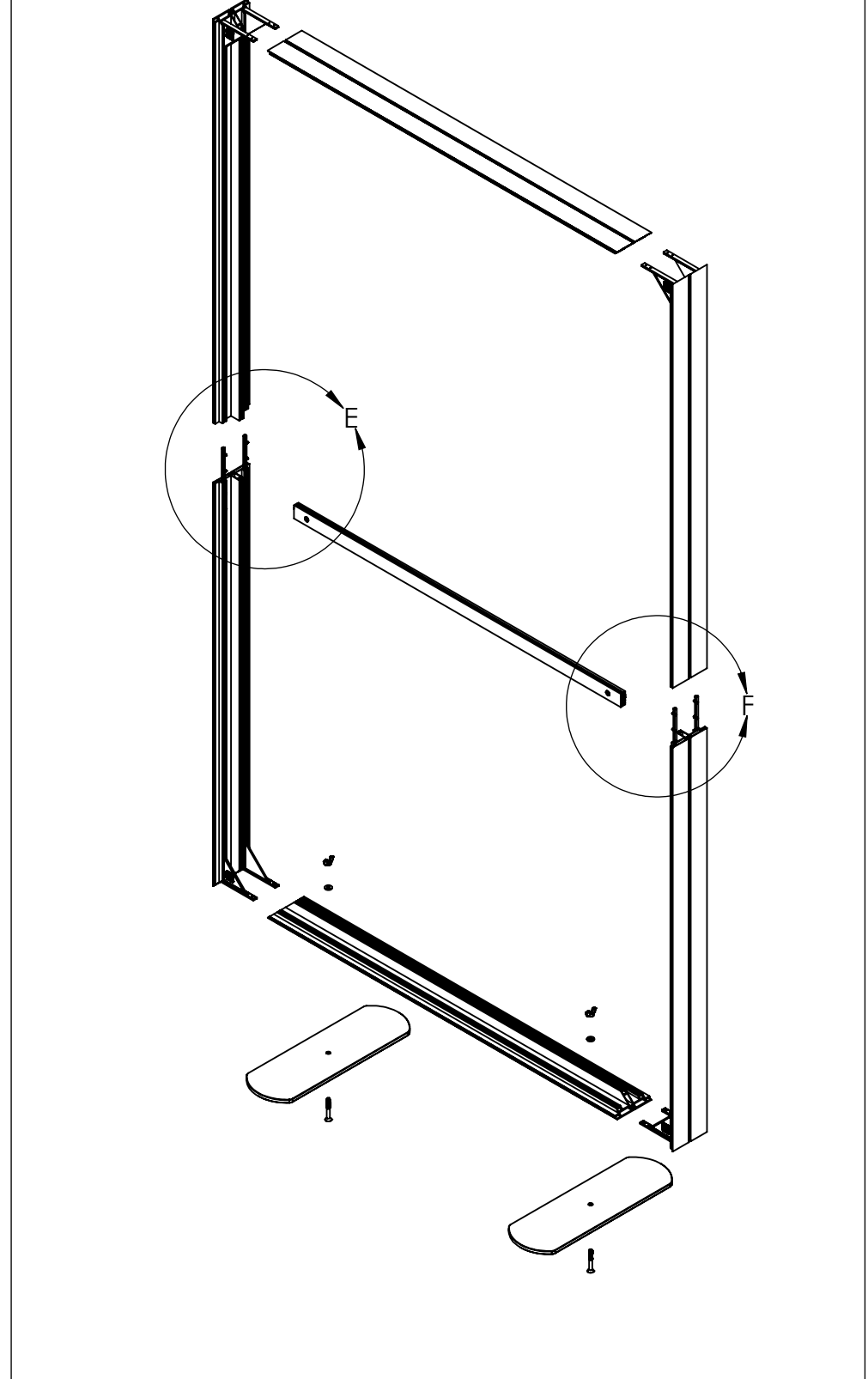
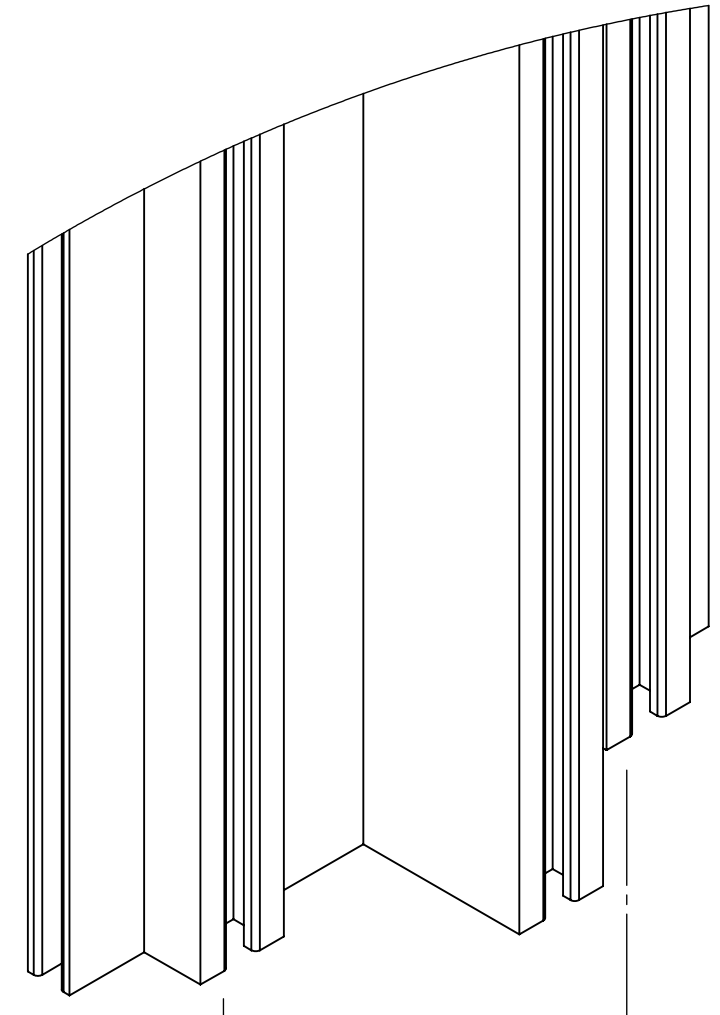
C

B

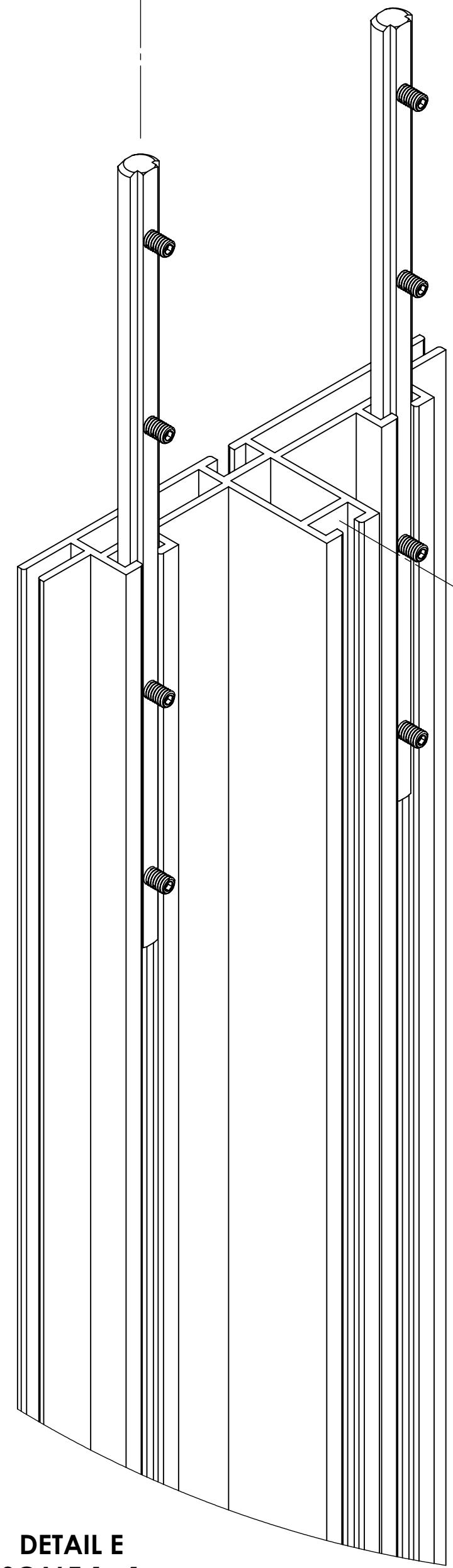
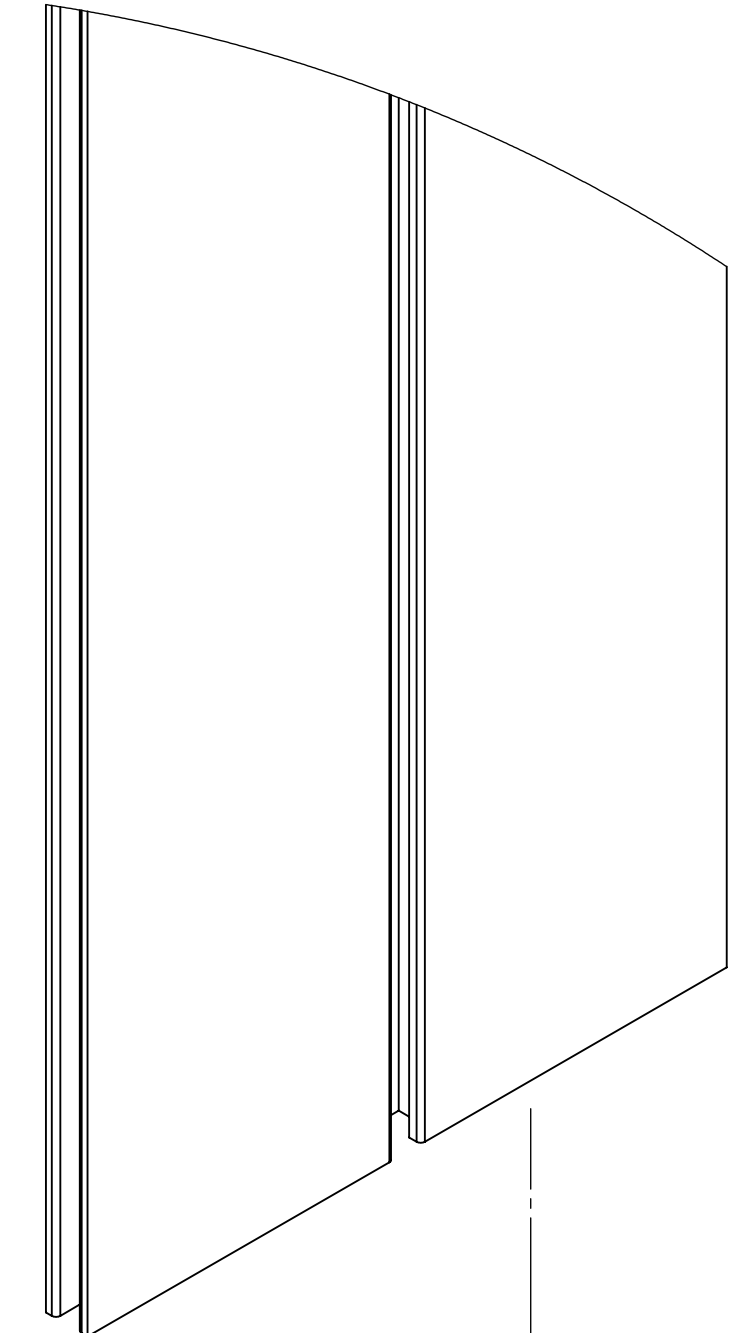
B

A

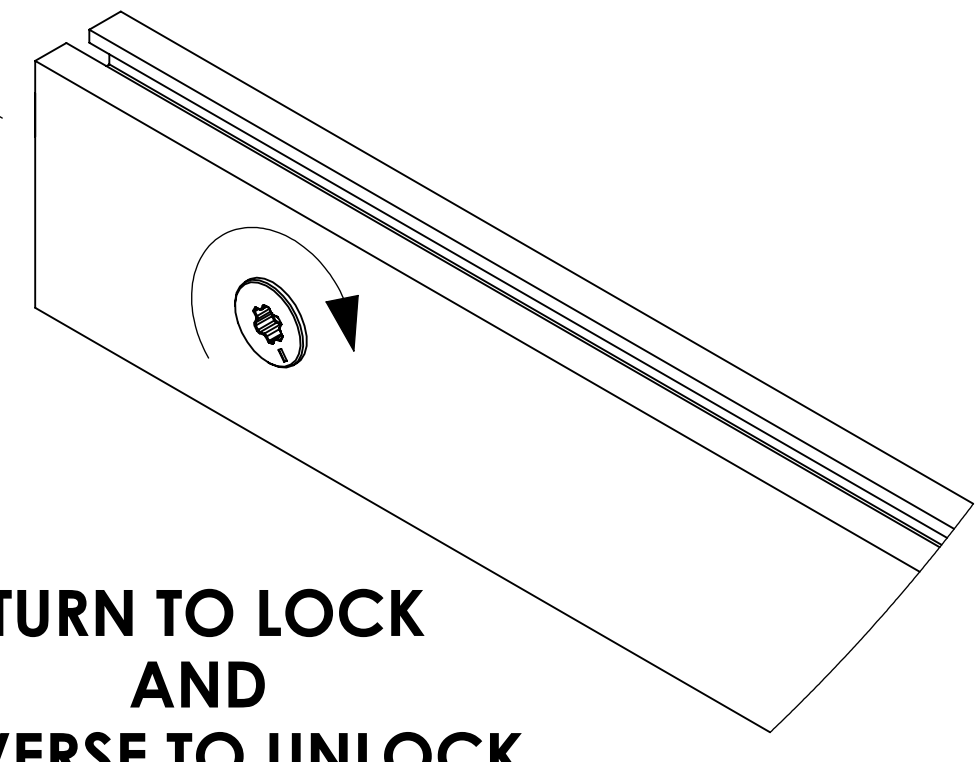
A



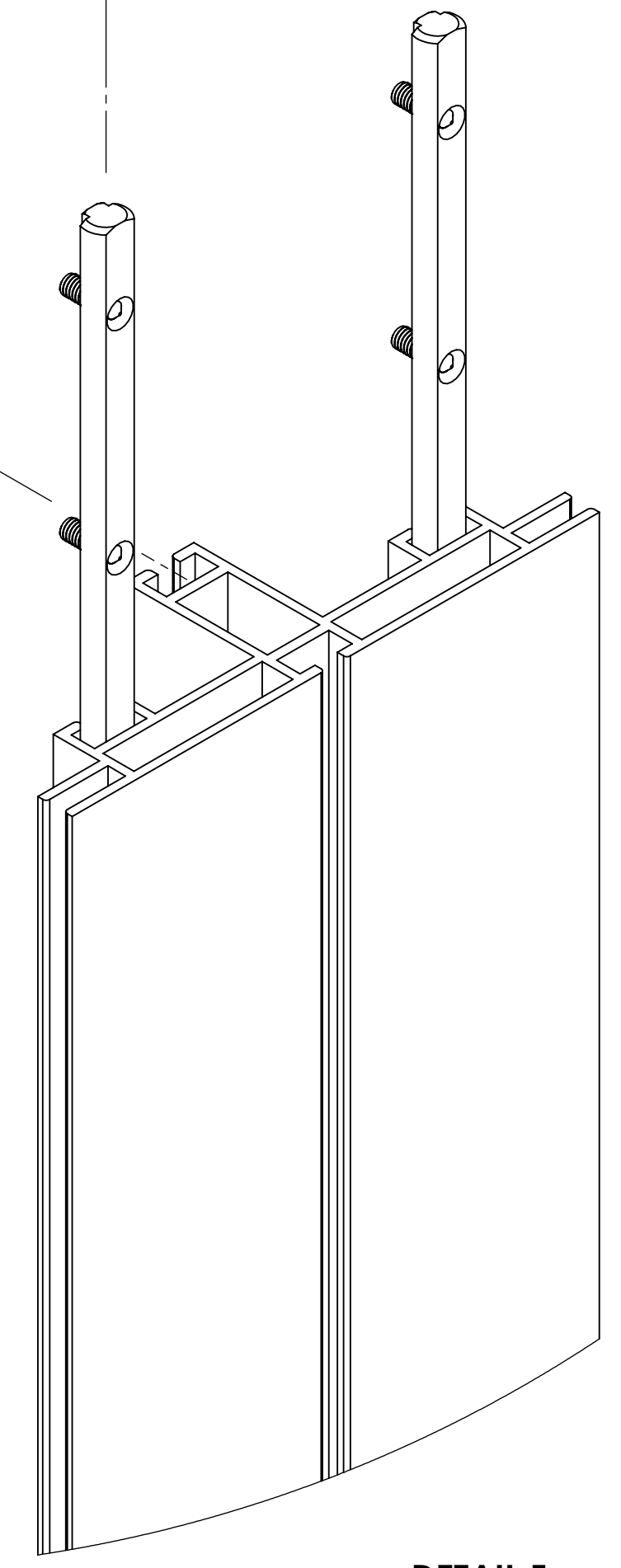
**TURN TO LOCK  
AND  
REVERSE TO UNLOCK**



**DETAIL E  
SCALE 1 : 1**



**TURN TO LOCK  
AND  
REVERSE TO UNLOCK**



**DETAIL F  
SCALE 1 : 1**

8

7

6

5

4

3

2

1

8

7

6

5

4

3

2

1

D

D

C

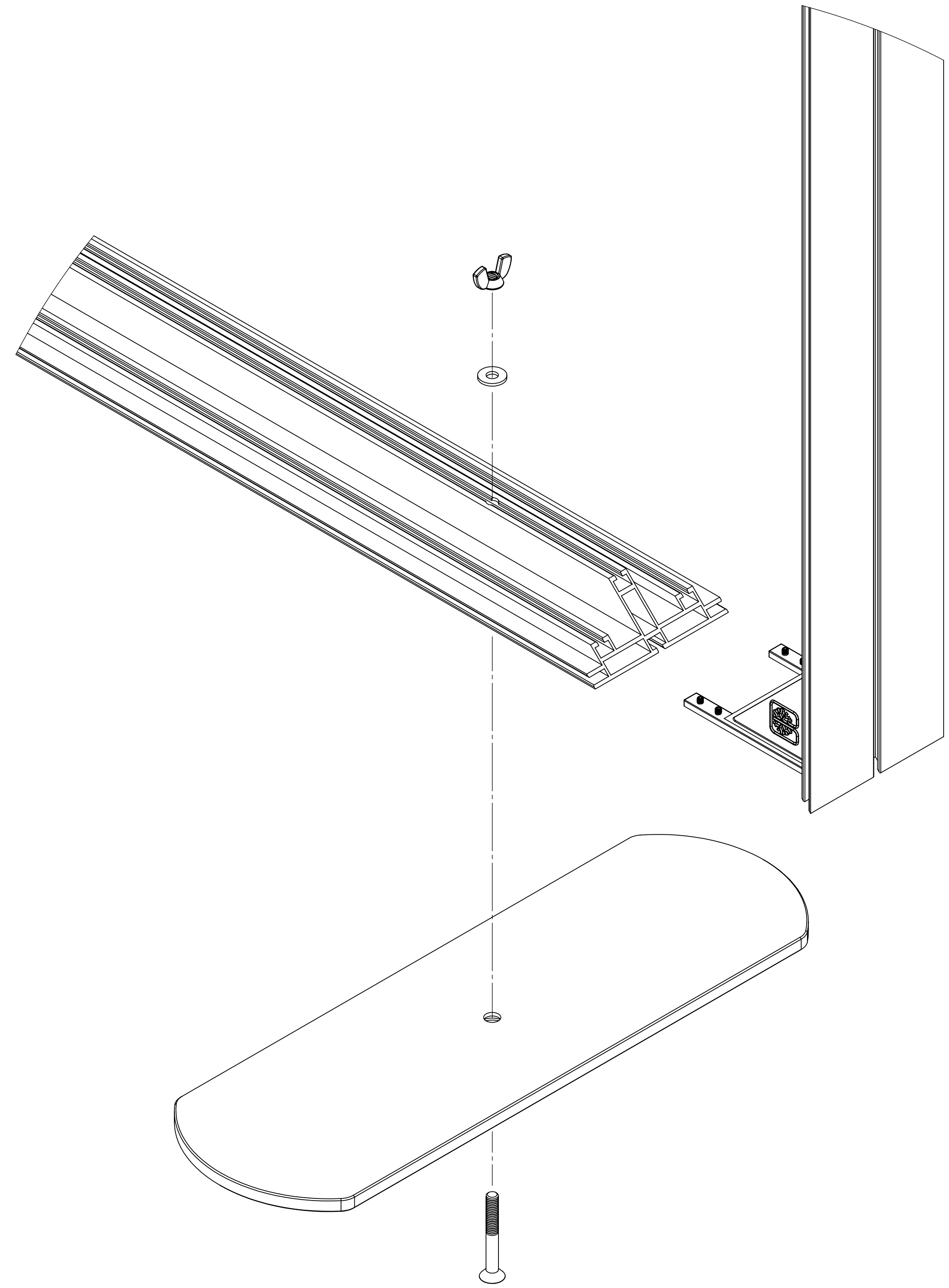
C

B

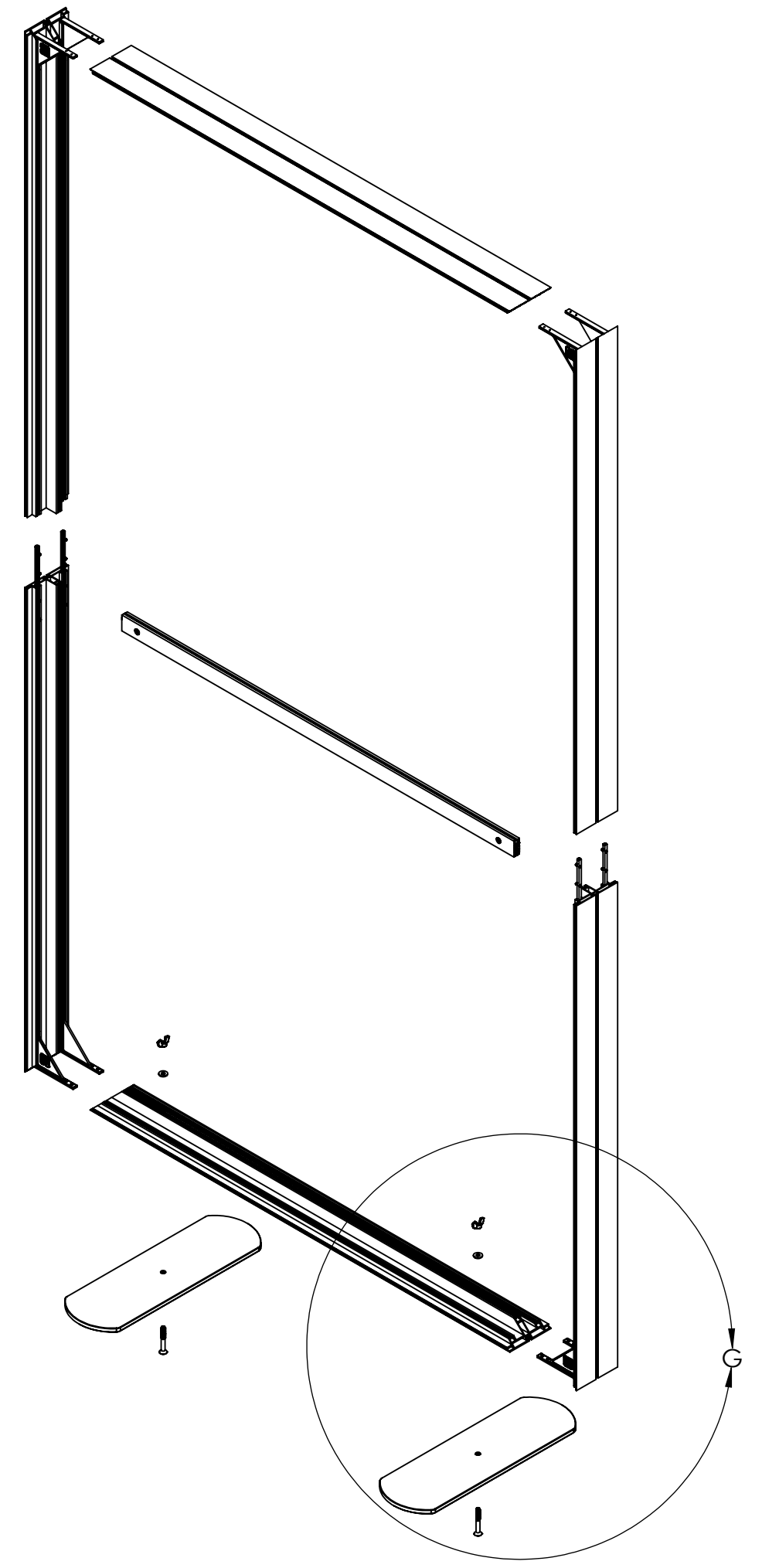
B

A

A



**DETAIL G**  
SCALE 1 : 2



8

7

6

5

4

3

2

1