

8

7

6

5

4

3

2

1

D

D

C

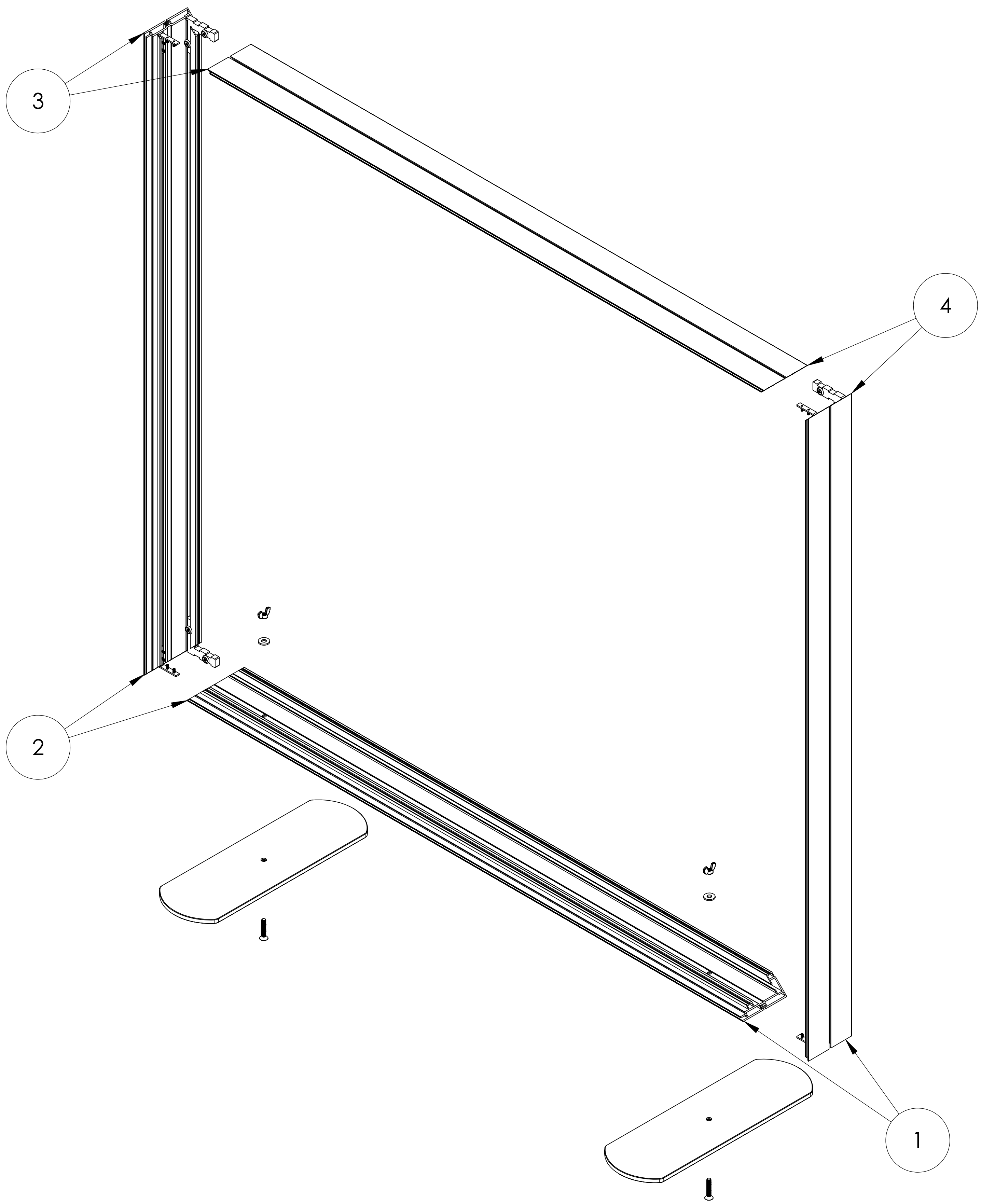
C

B

B

A

A



**PLEASE REFER TO LAST PAGE OF
MANUAL FOR SEG INSTRUCTIONS**

NOTES: UNLESS OTHERWISE SPECIFIED

- 1. ASSEMBLY TIME: 1/2 HOUR WITH 1 PERSON.**
- 2. FEET MAY VARY.**

UP-To-60in WIDE x UP-To-60in H. SINGLE-SIDED FRAME

SIZE	DWG. NO.	REV
D	Universal UP to 60in SSF	A
SCALE: 1:12	SHEET 1 OF 2	

8

7

6

5

4

3

2

1

8

7

6

5

4

3

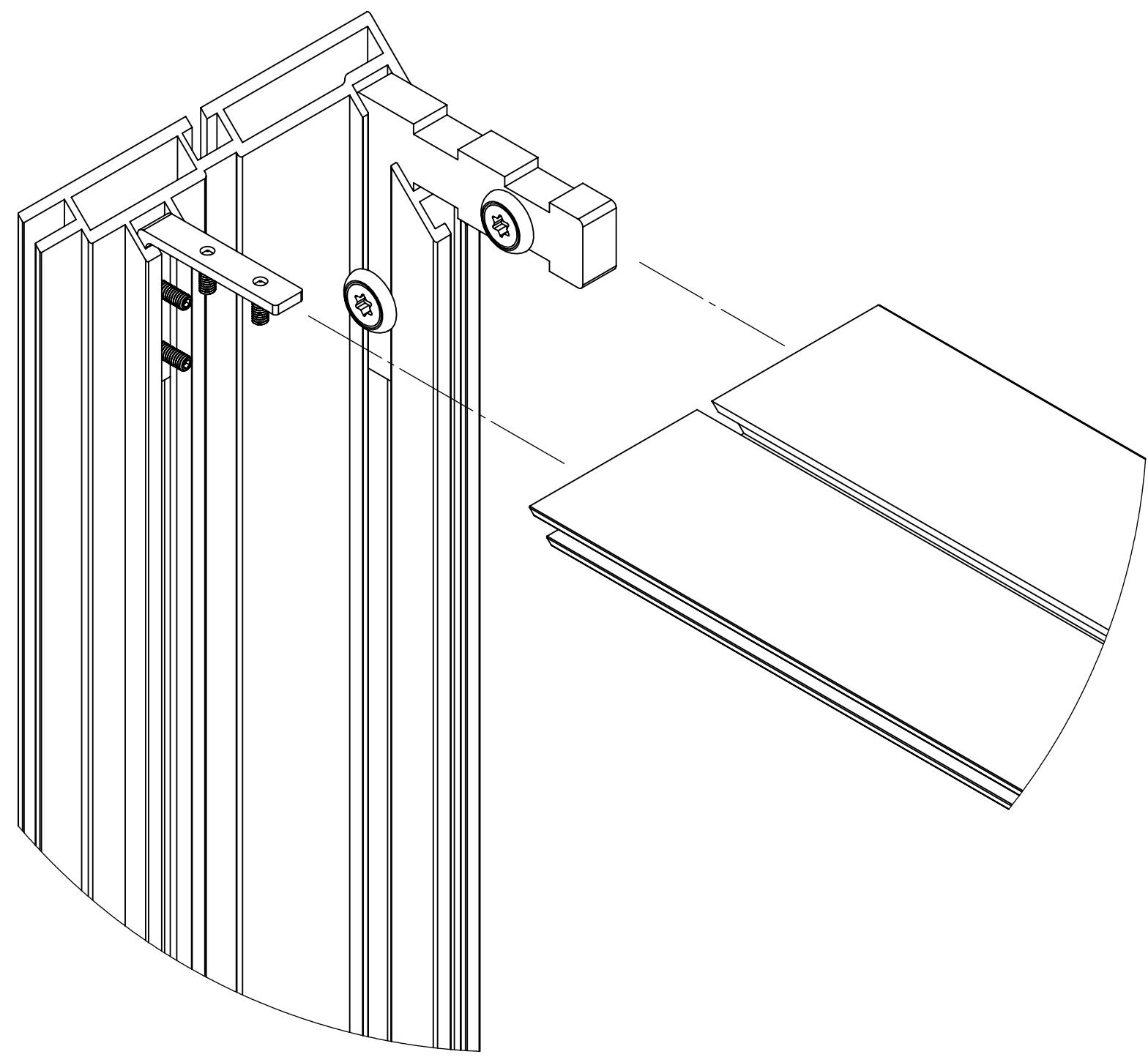
2

1

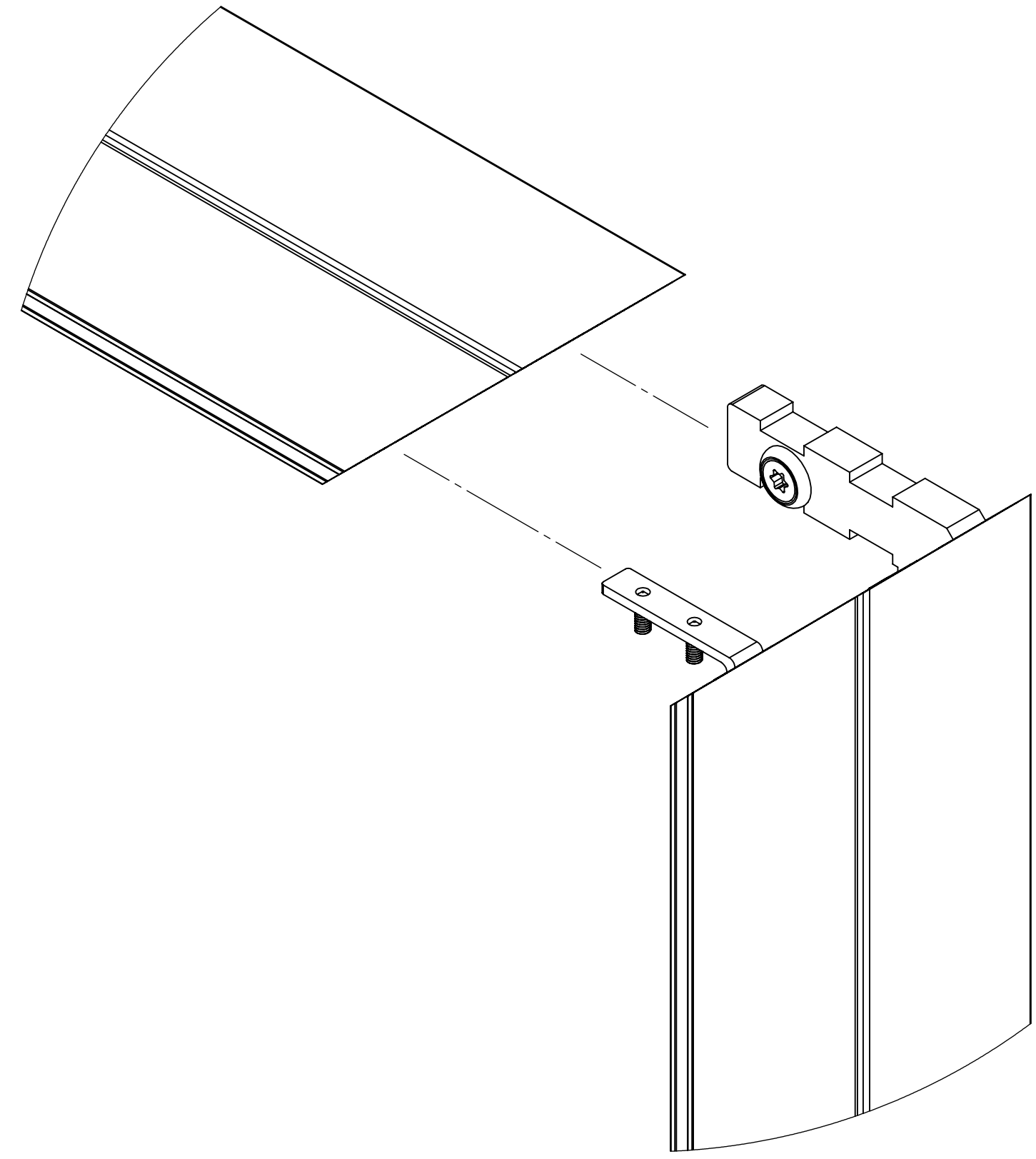
D

D

DETAIL A
SCALE 3 : 4

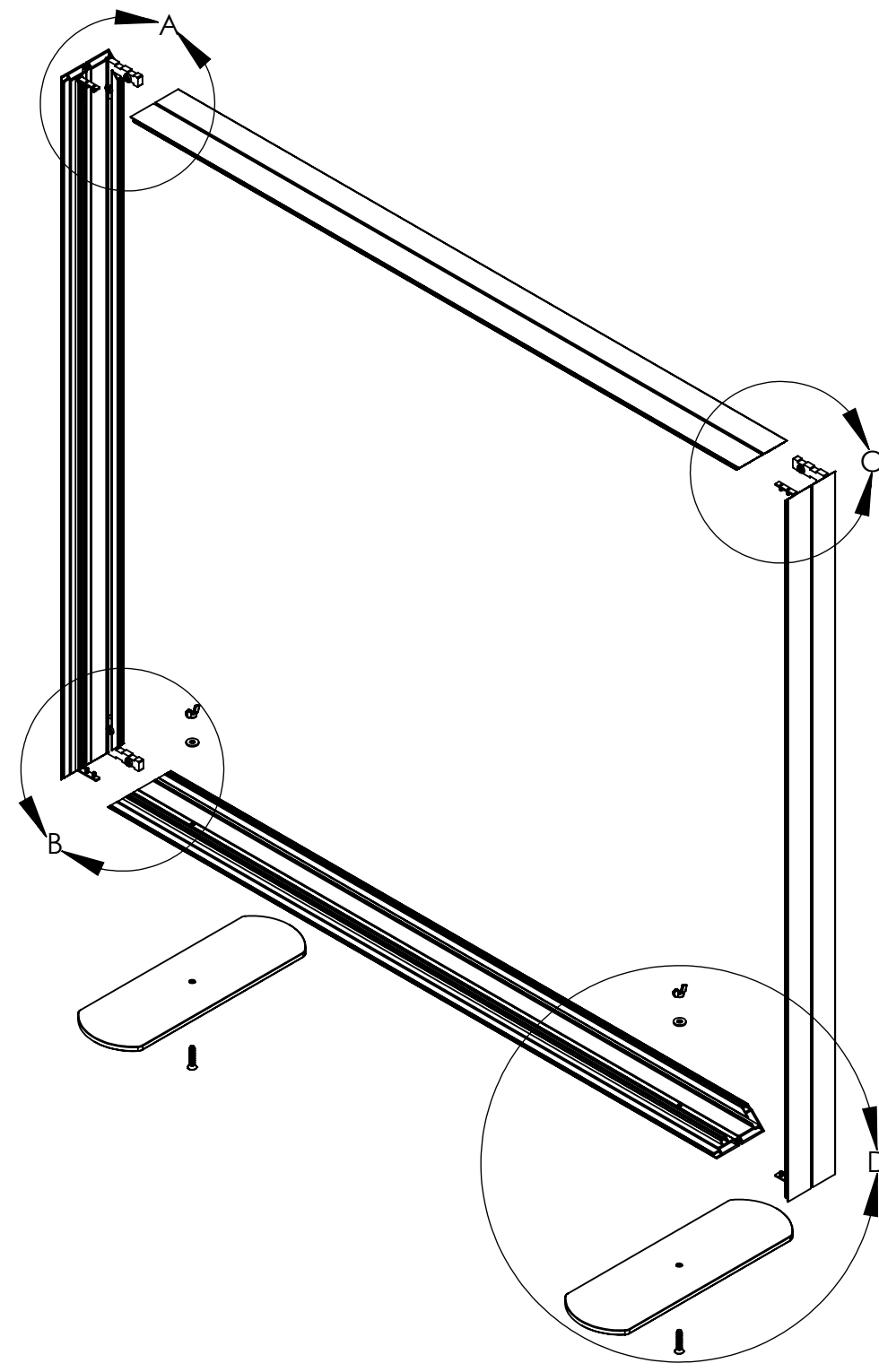


DETAIL C
SCALE 3 : 4



C

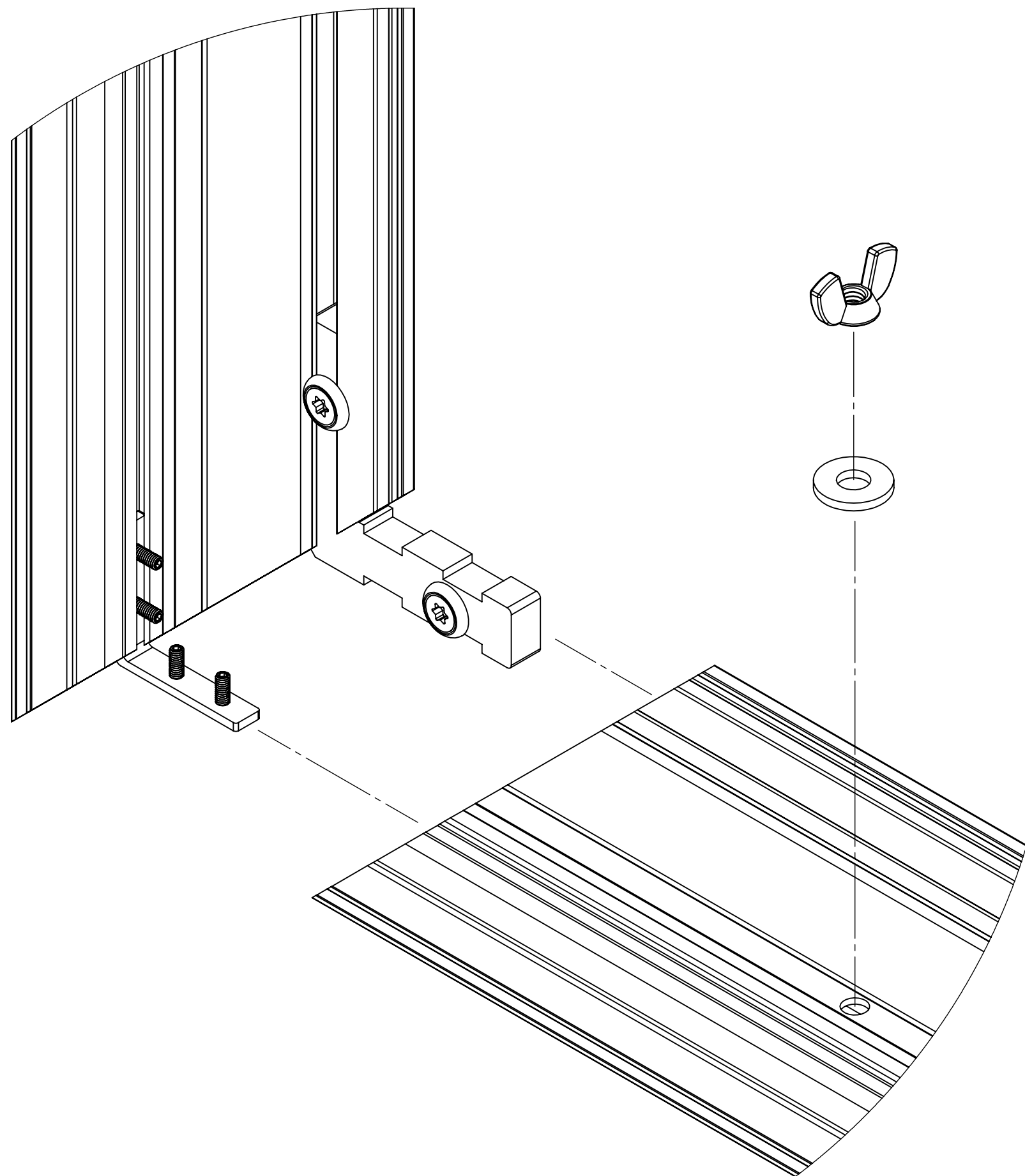
C



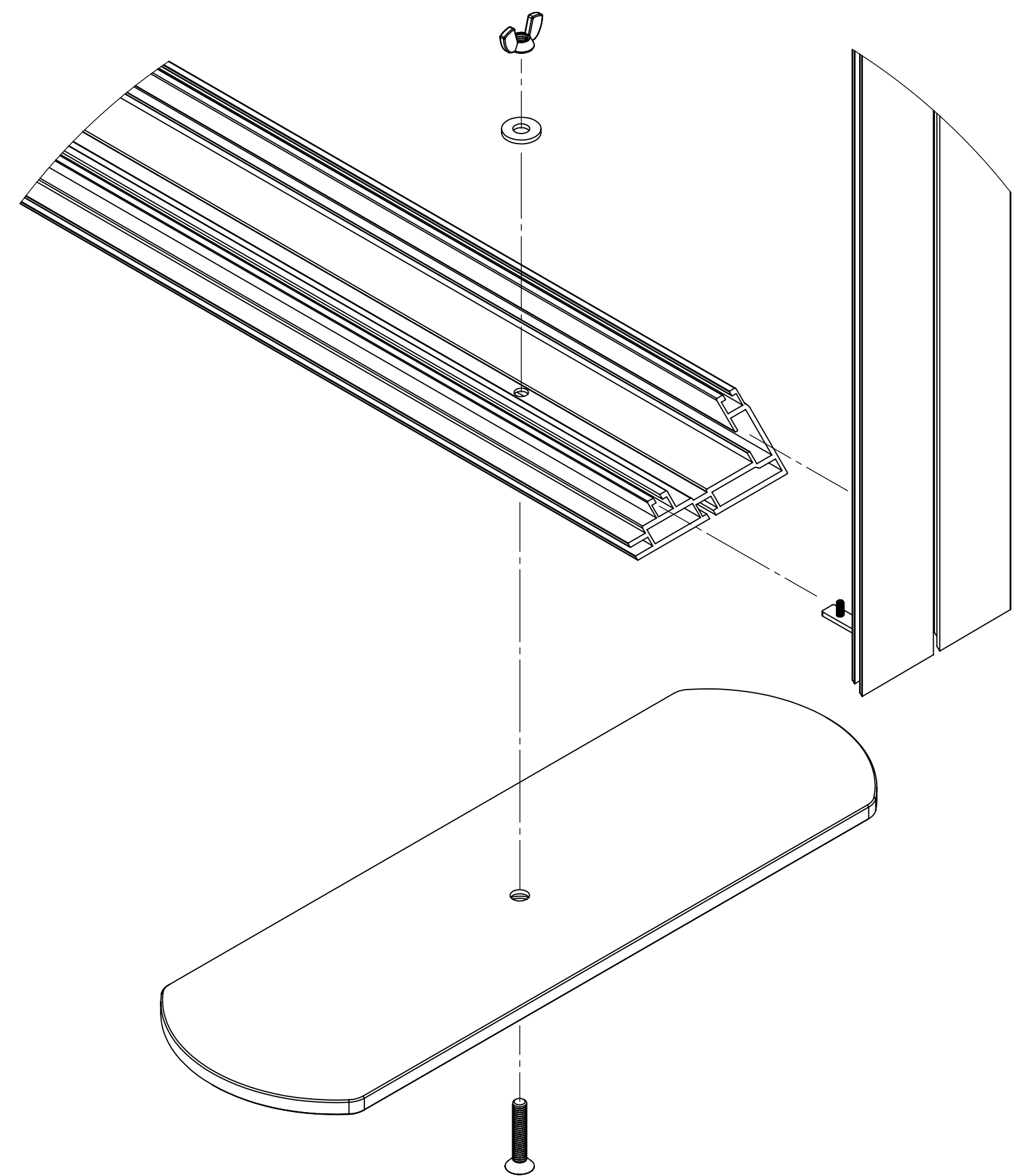
B

B

DETAIL B
SCALE 3 : 4



DETAIL D
SCALE 3 : 8



A

A

8

7

6

5

4

3

2

1