

8

7

6

5

4

3

2

1

D

D

C

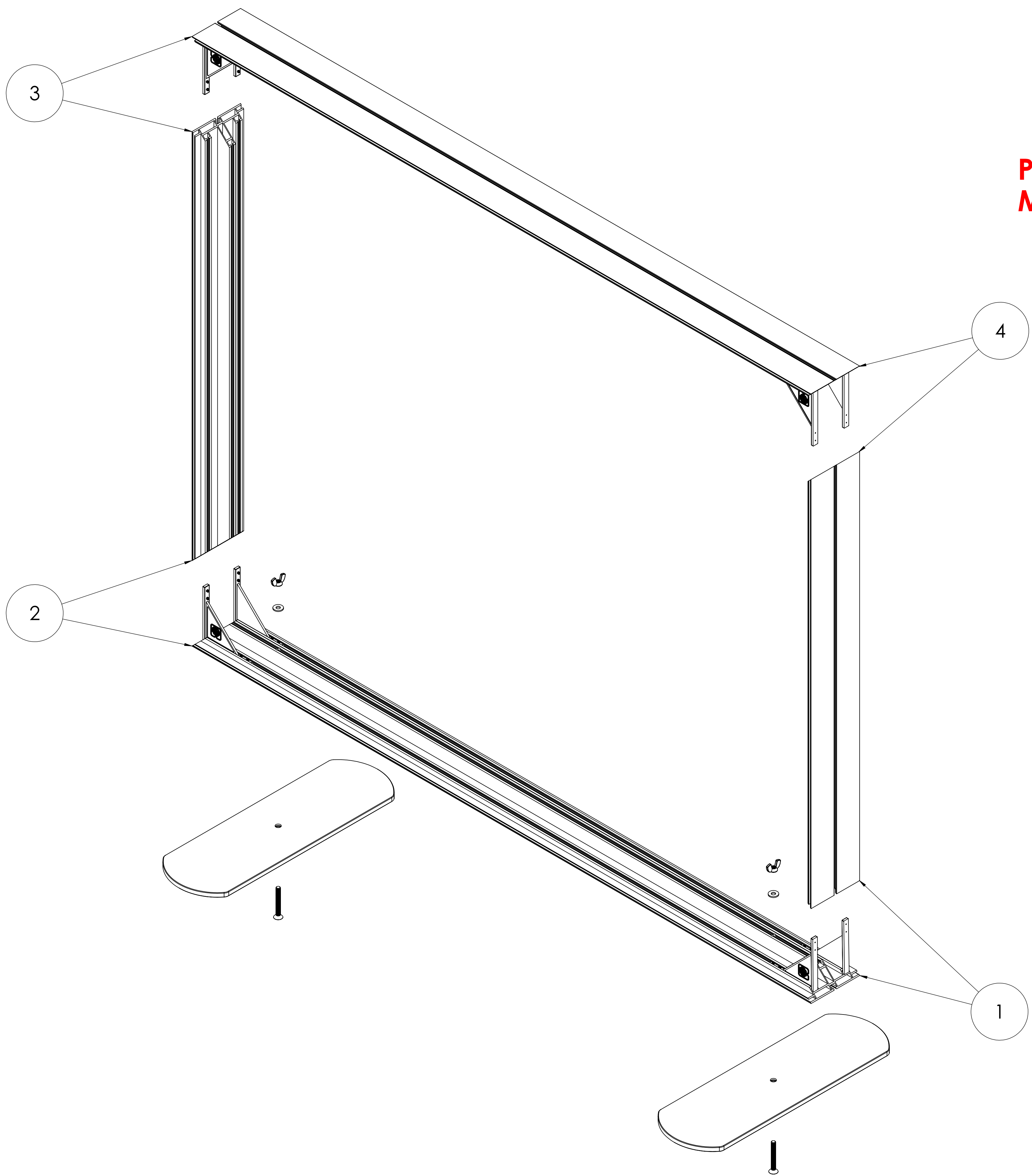
C

B

B

A

A



**PLEASE REFER TO LAST PAGE OF  
MANUAL FOR SEG INSTRUCTIONS**

- NOTES: UNLESS OTHERWISE SPECIFIED**
- 1. ASSEMBLY TIME: 1/2 HOUR WITH 1 PERSON.**
  - 2. FEET MAY VARY.**

**UP-To-60in WIDE x UP-To-60in H. DOUBLE-SIDED FRAME**

SIZE	DWG. NO.	REV
<b>D</b>	Universal UP to 60in DSF	<b>A</b>
SCALE: 1:8	WEIGHT:	SHEET 1 OF 2

8

7

6

5

4

3

2

1

8

7

6

5

4

3

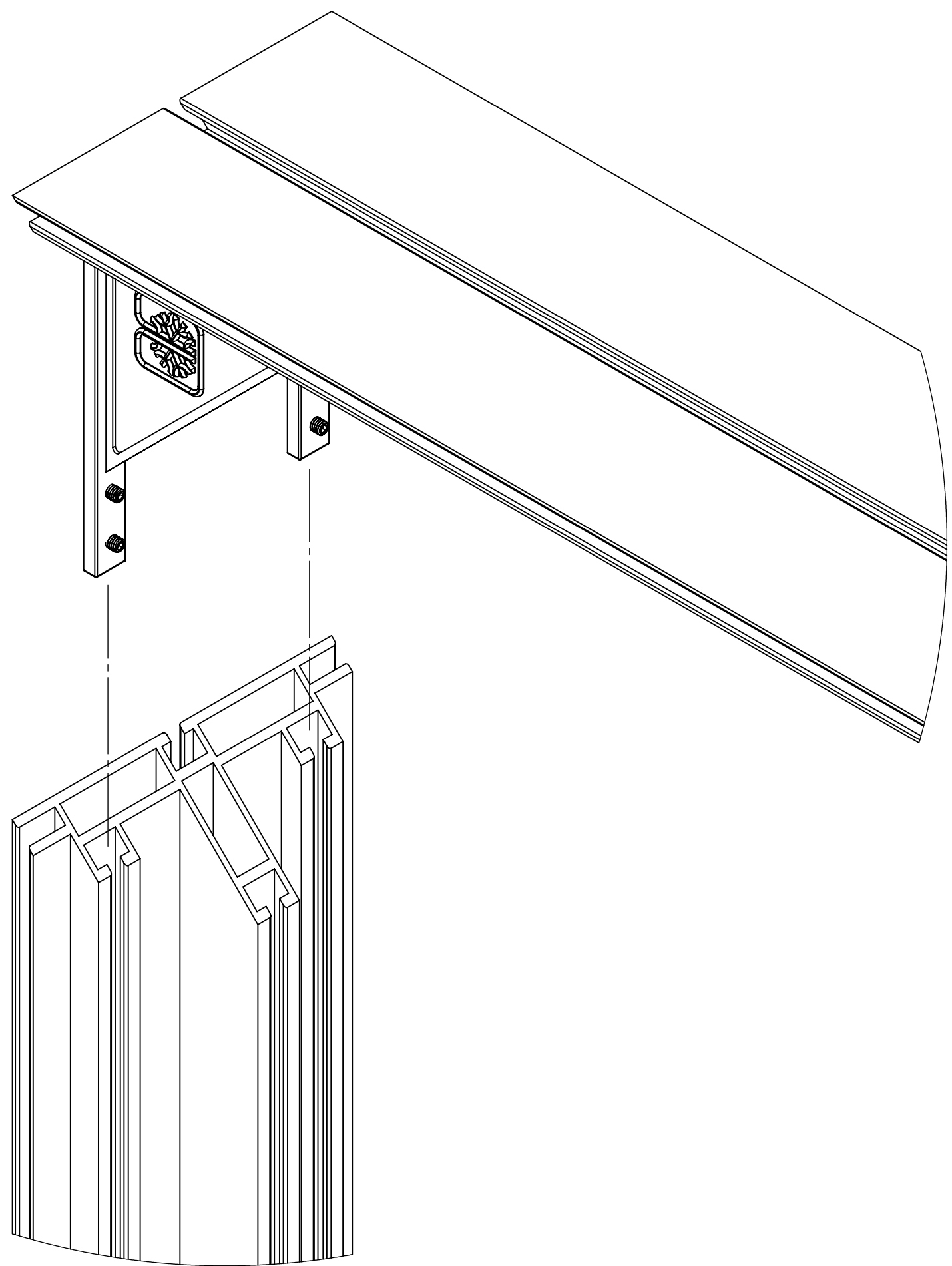
2

1

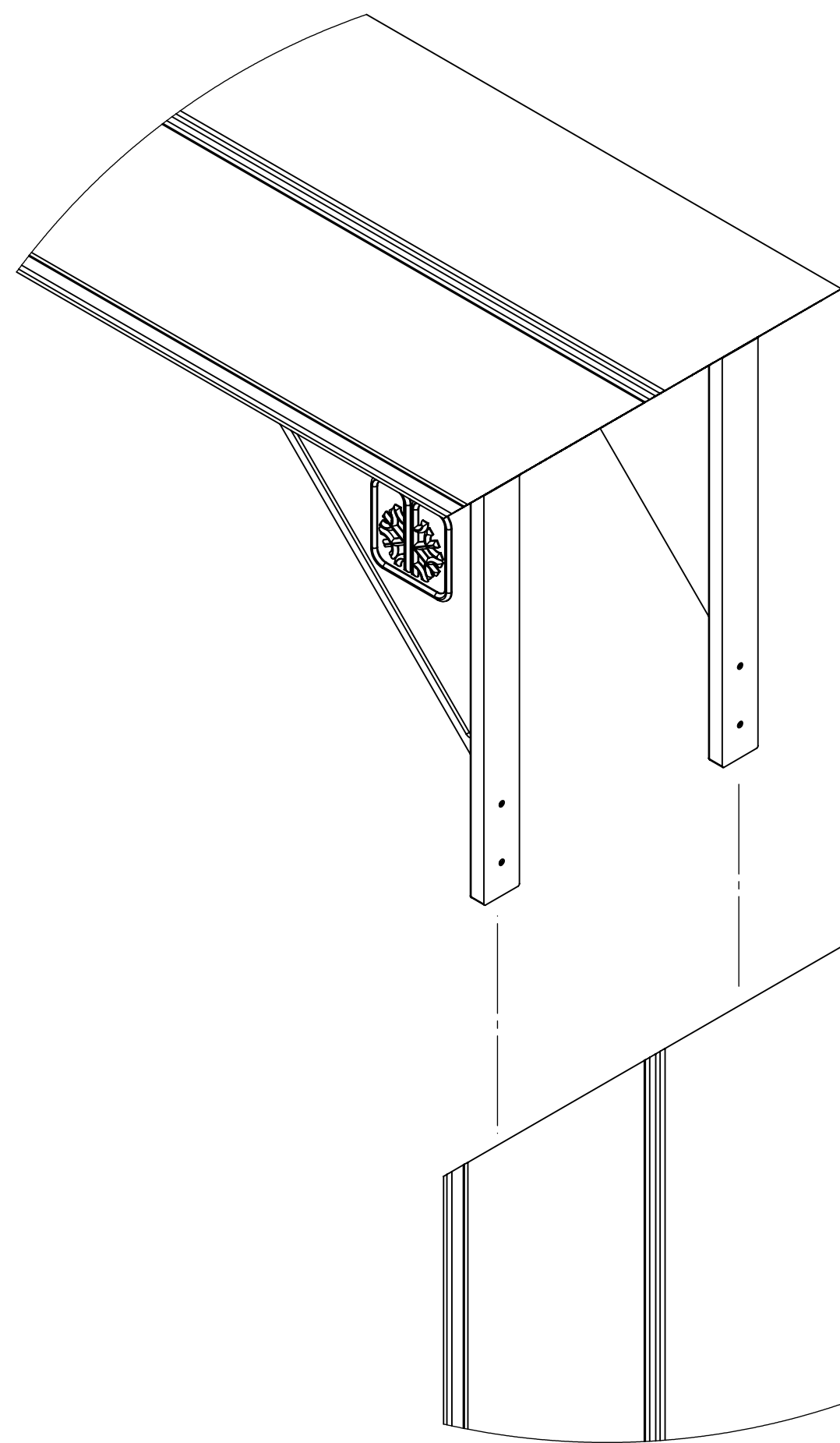
D

D

DETAIL A  
SCALE 3 : 4

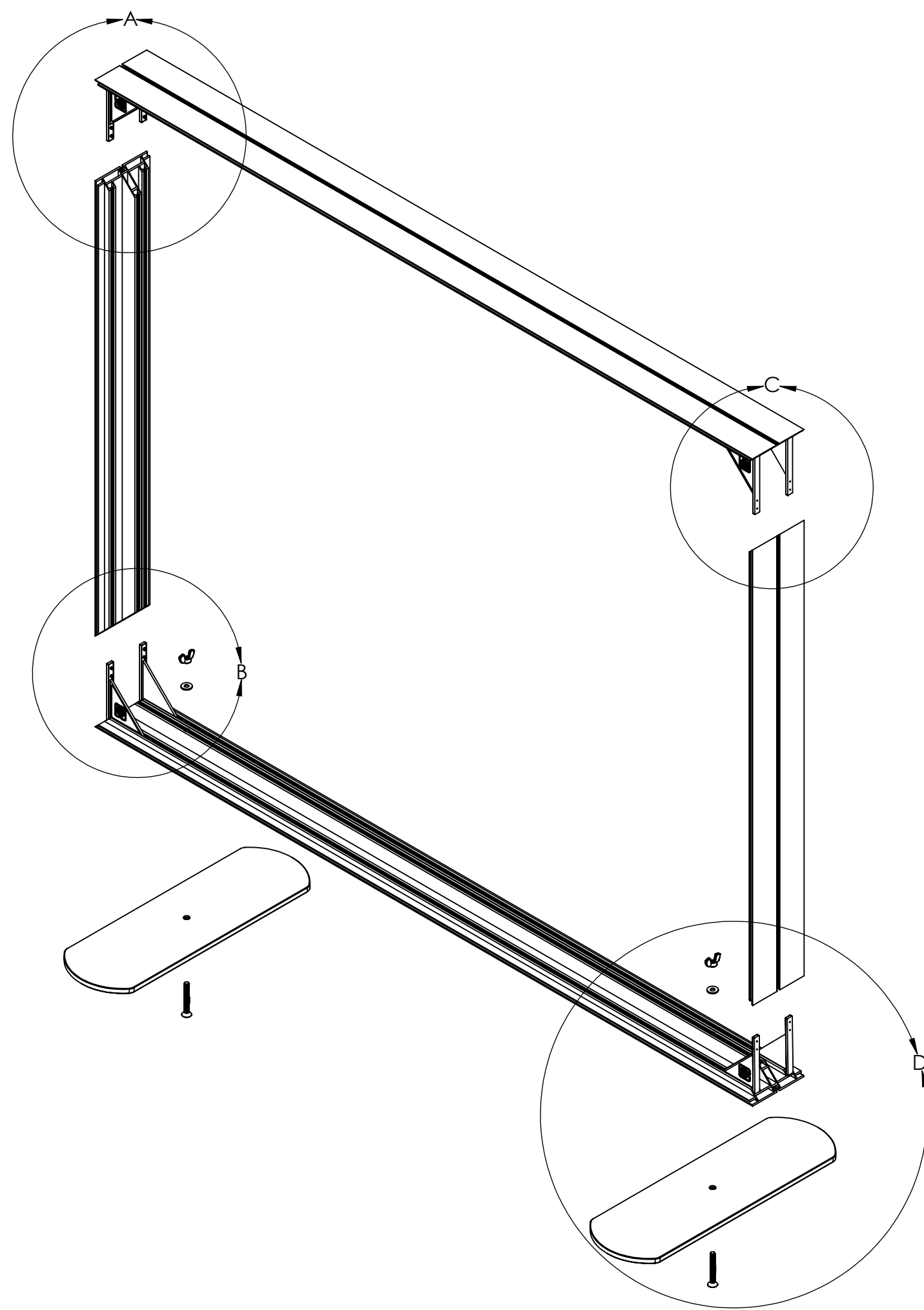


DETAIL C  
SCALE 3 : 4

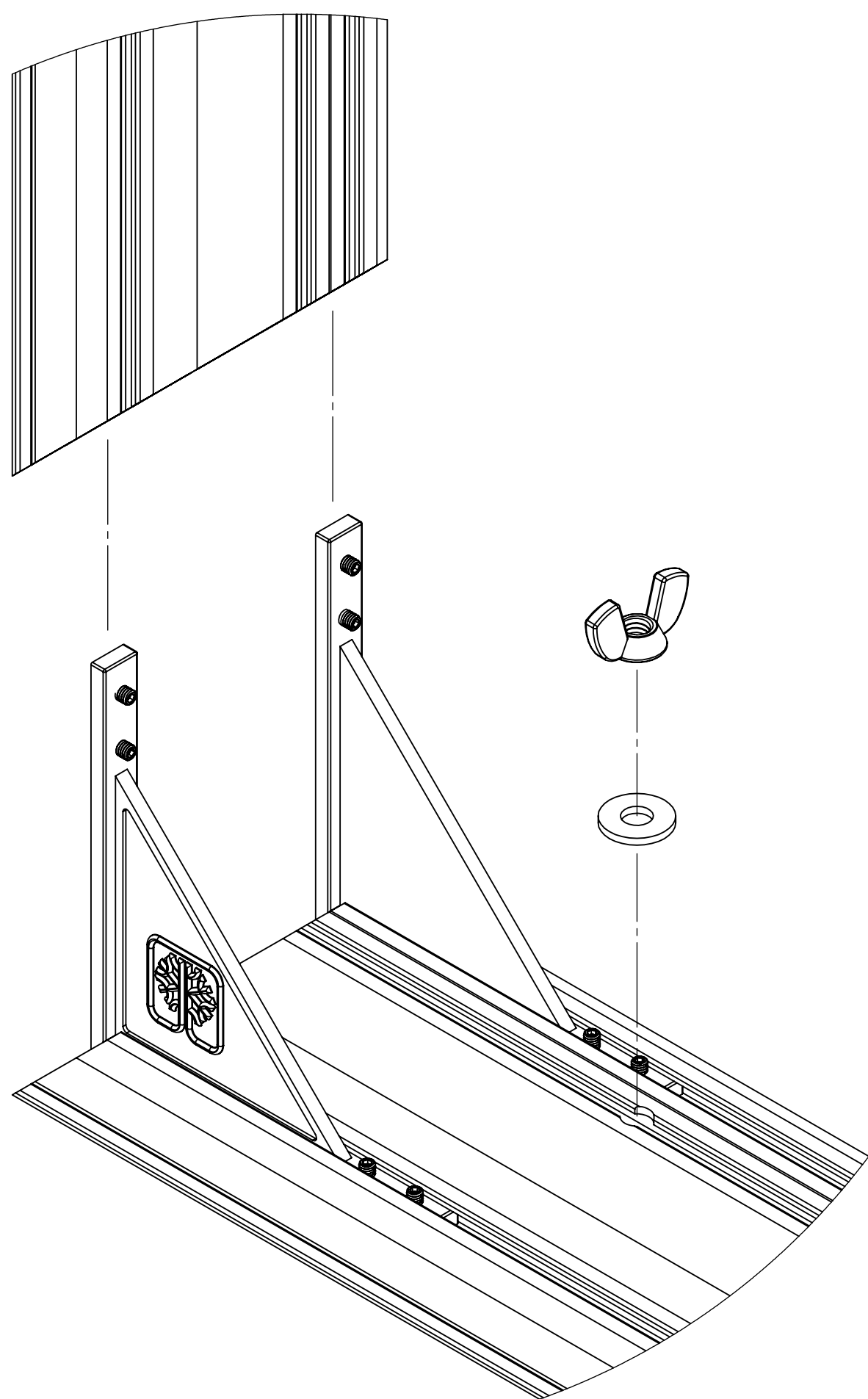


C

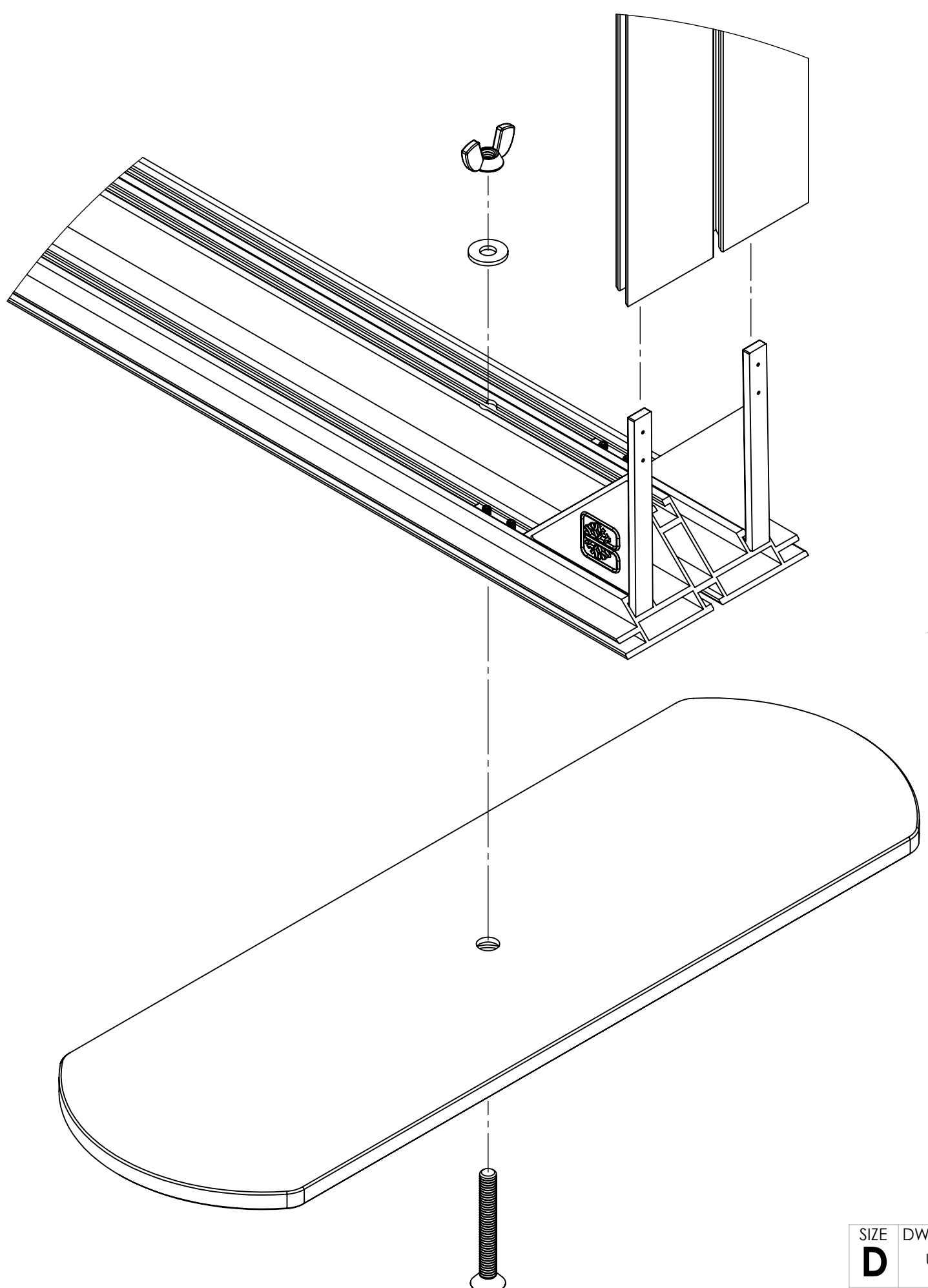
C



DETAIL B  
SCALE 3 : 4



DETAIL D  
SCALE 7 : 16



B

B

A

A

8

7

6

5

4

3

2

1