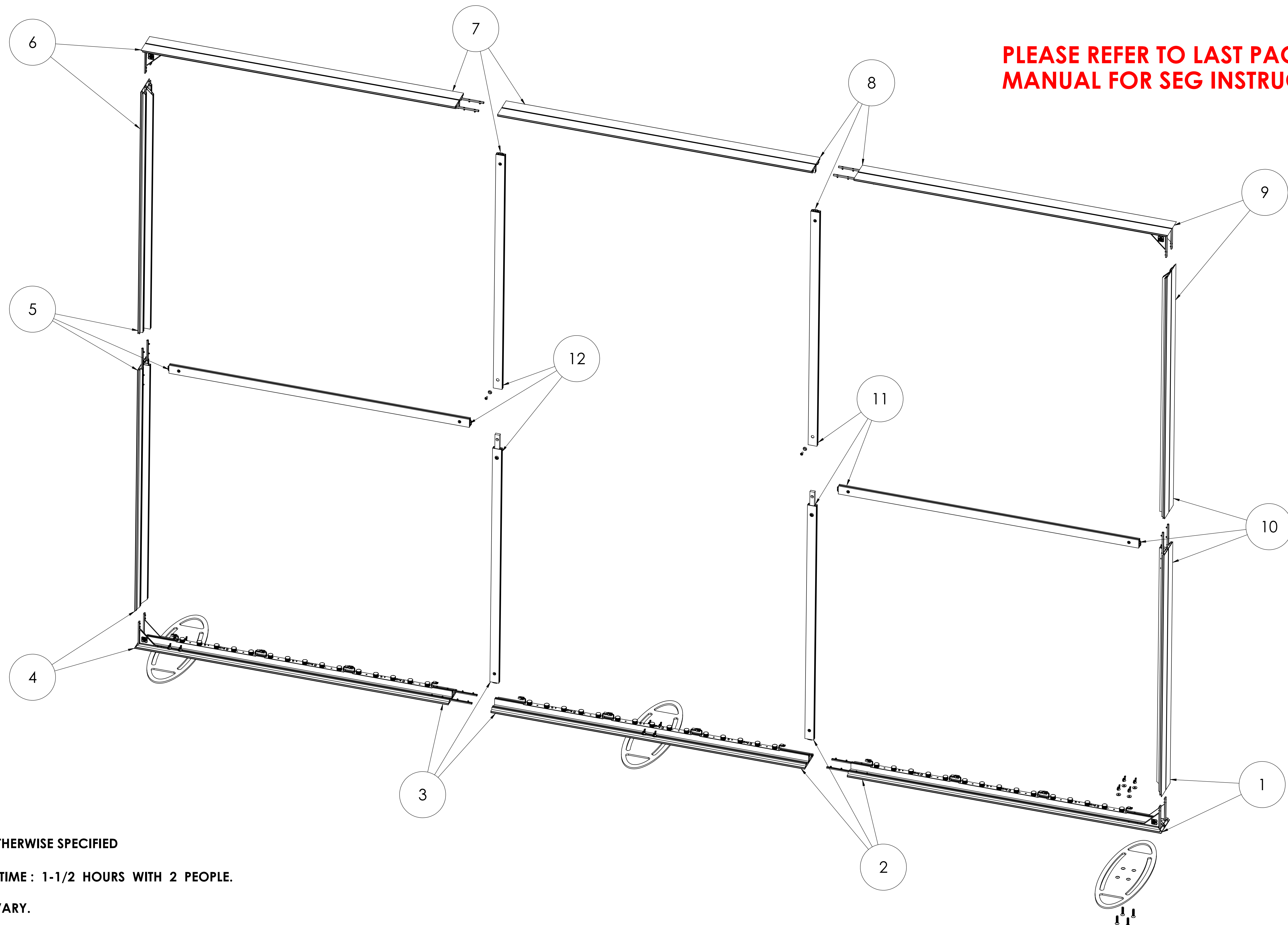


8 7 6 5 4 3 2 1

**PLEASE REFER TO LAST PAGE OF
MANUAL FOR SEG INSTRUCTIONS**



NOTE: UNLESS OTHERWISE SPECIFIED

1. ASSEMBLY-TIME : 1-1/2 HOURS WITH 2 PEOPLE.

2. FEET MAY VARY.

121-192in WIDE x 61-96in H. DOUBLE-SIDED FRAME

SIZE	DWG. NO.	REV
D	Universal 121-192in x 61-96in DSF	A
SCALE: 1:12		SHEET 1 OF 4

8 7 6 5 4 3 2 1

8

7

6

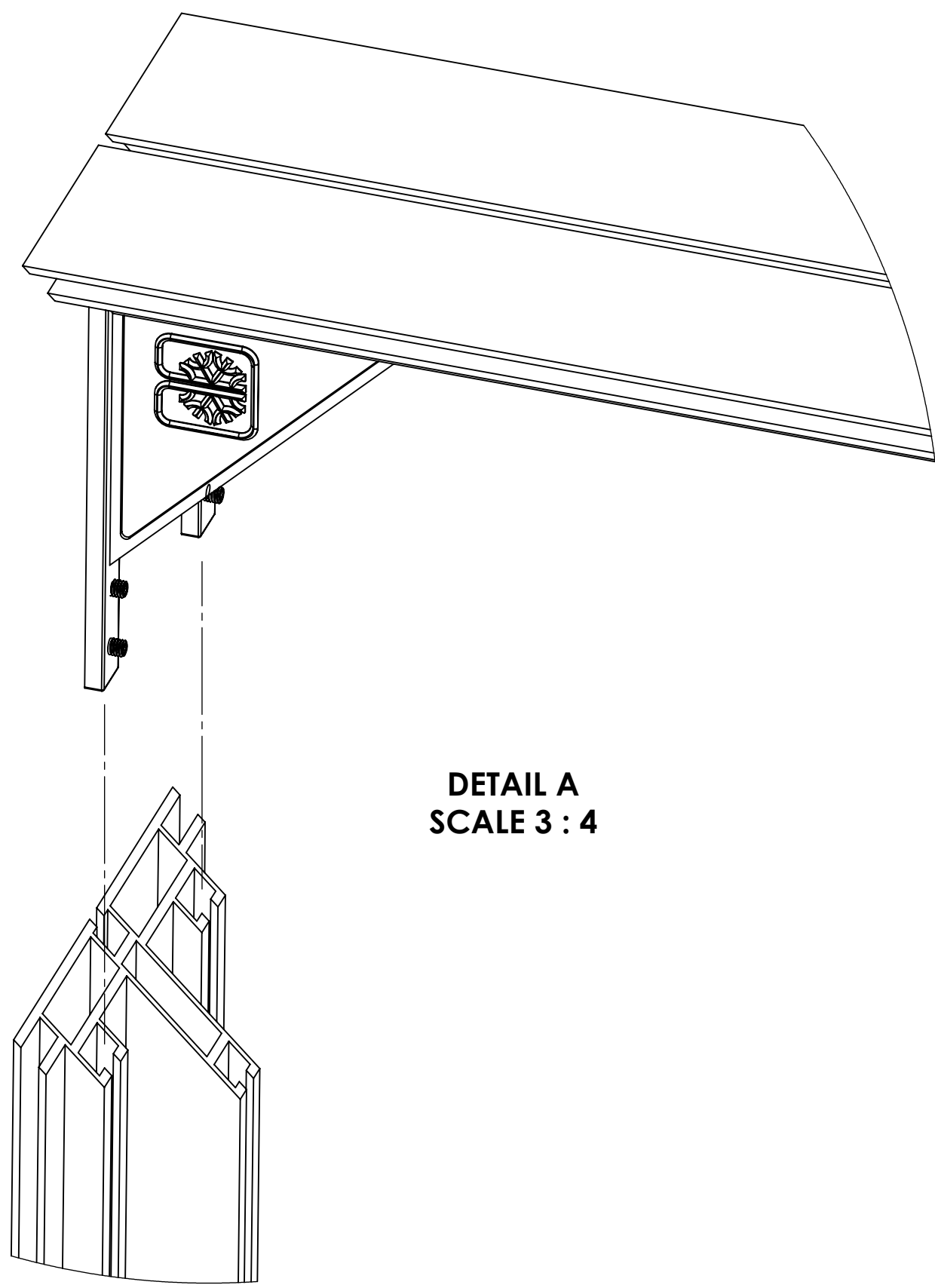
5

4

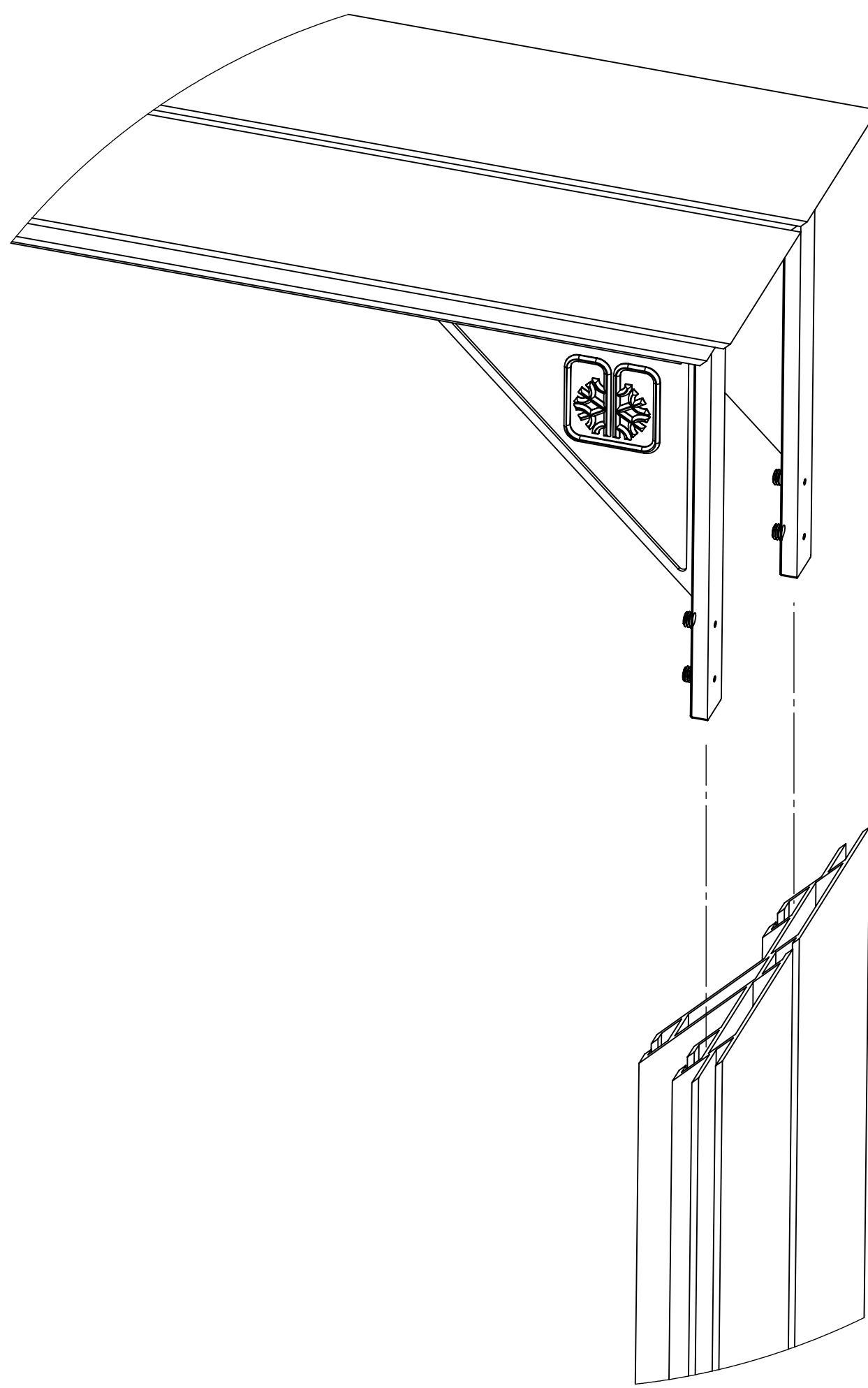
3

2

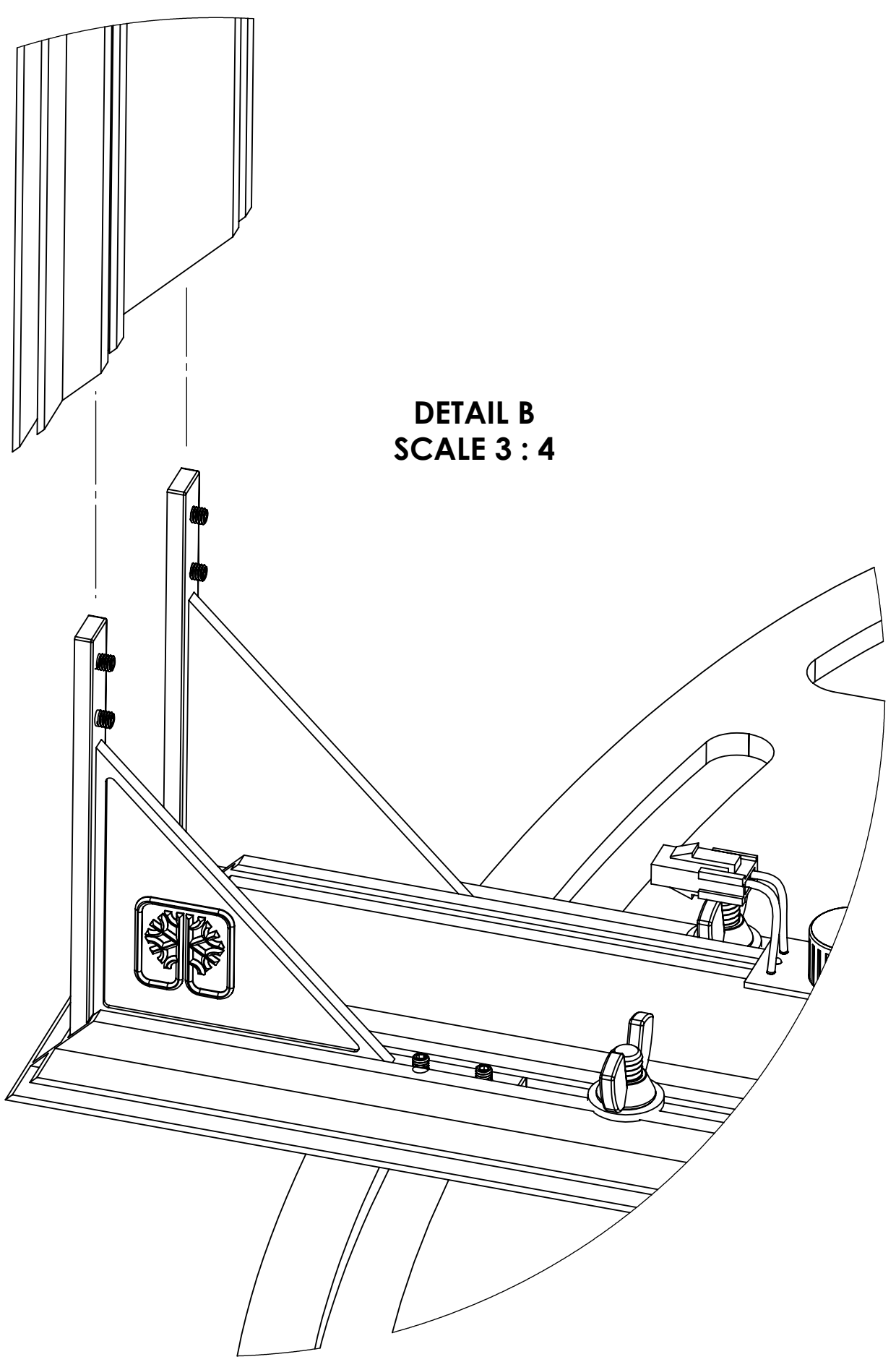
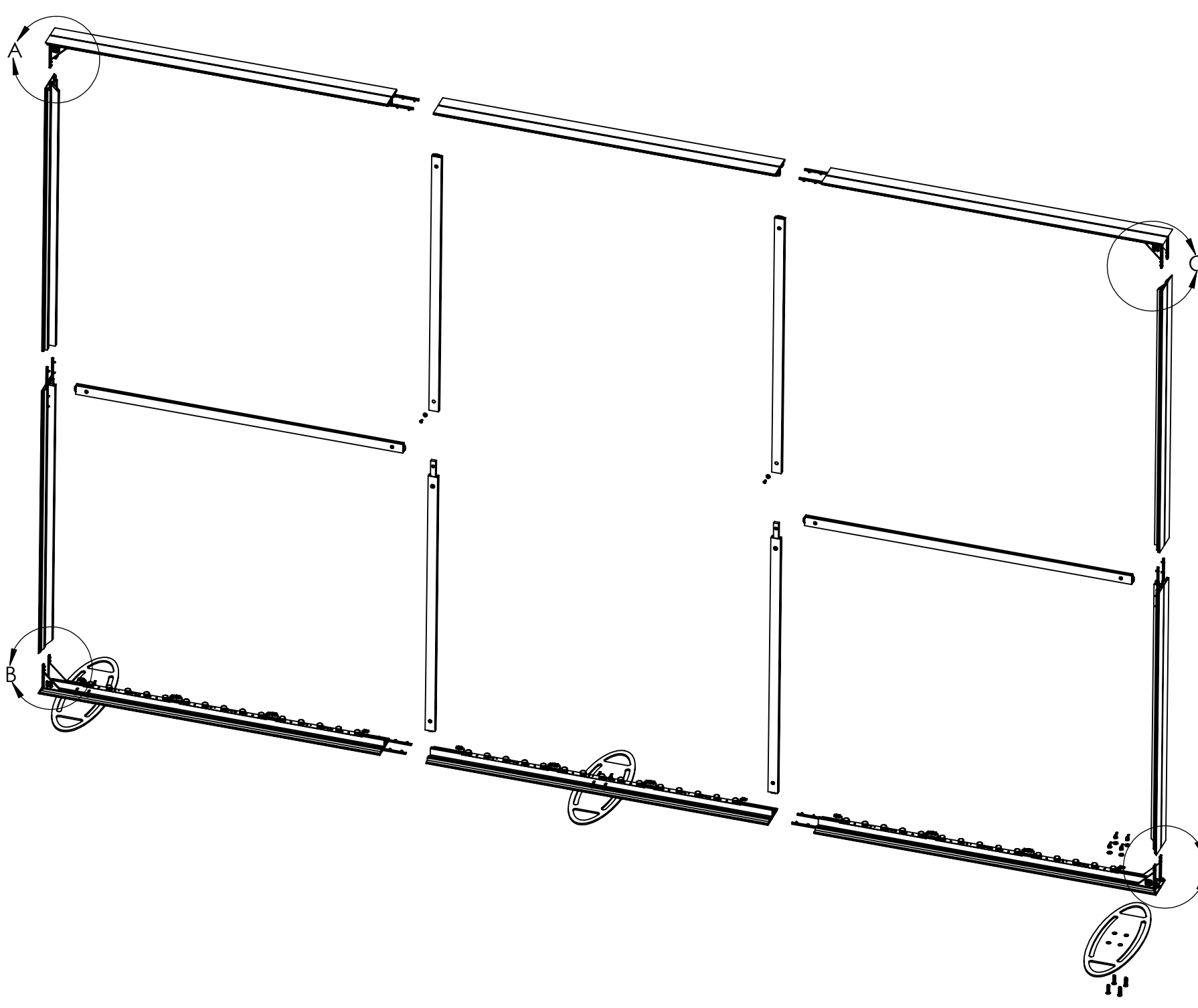
1



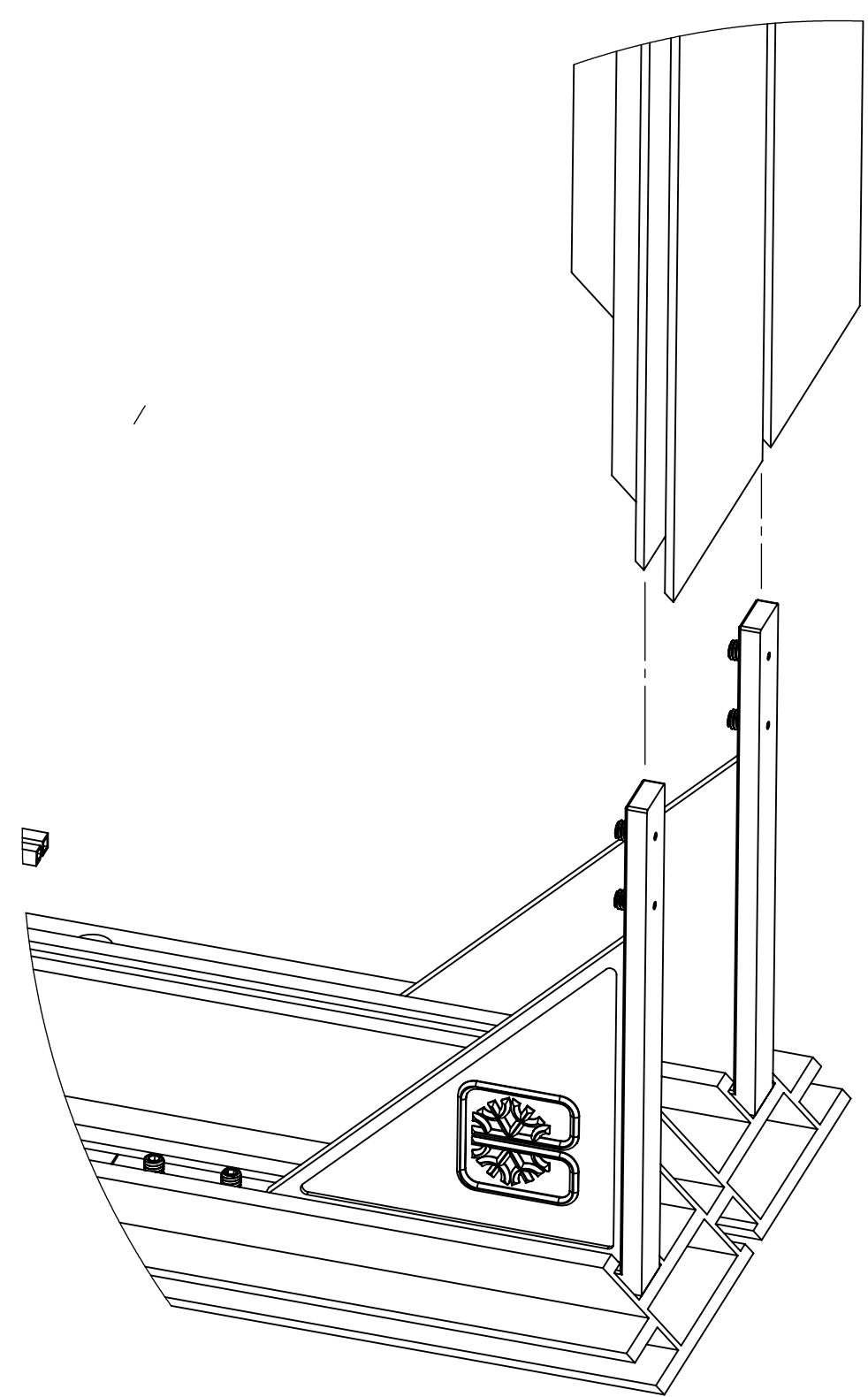
DETAIL A
SCALE 3 : 4



DETAIL C
SCALE 3 : 4



DETAIL B
SCALE 3 : 4



DETAIL D
SCALE 3 : 4

8

7

6

5

4

3

2

1

8

7

6

5

4

3

2

1

D

D

C

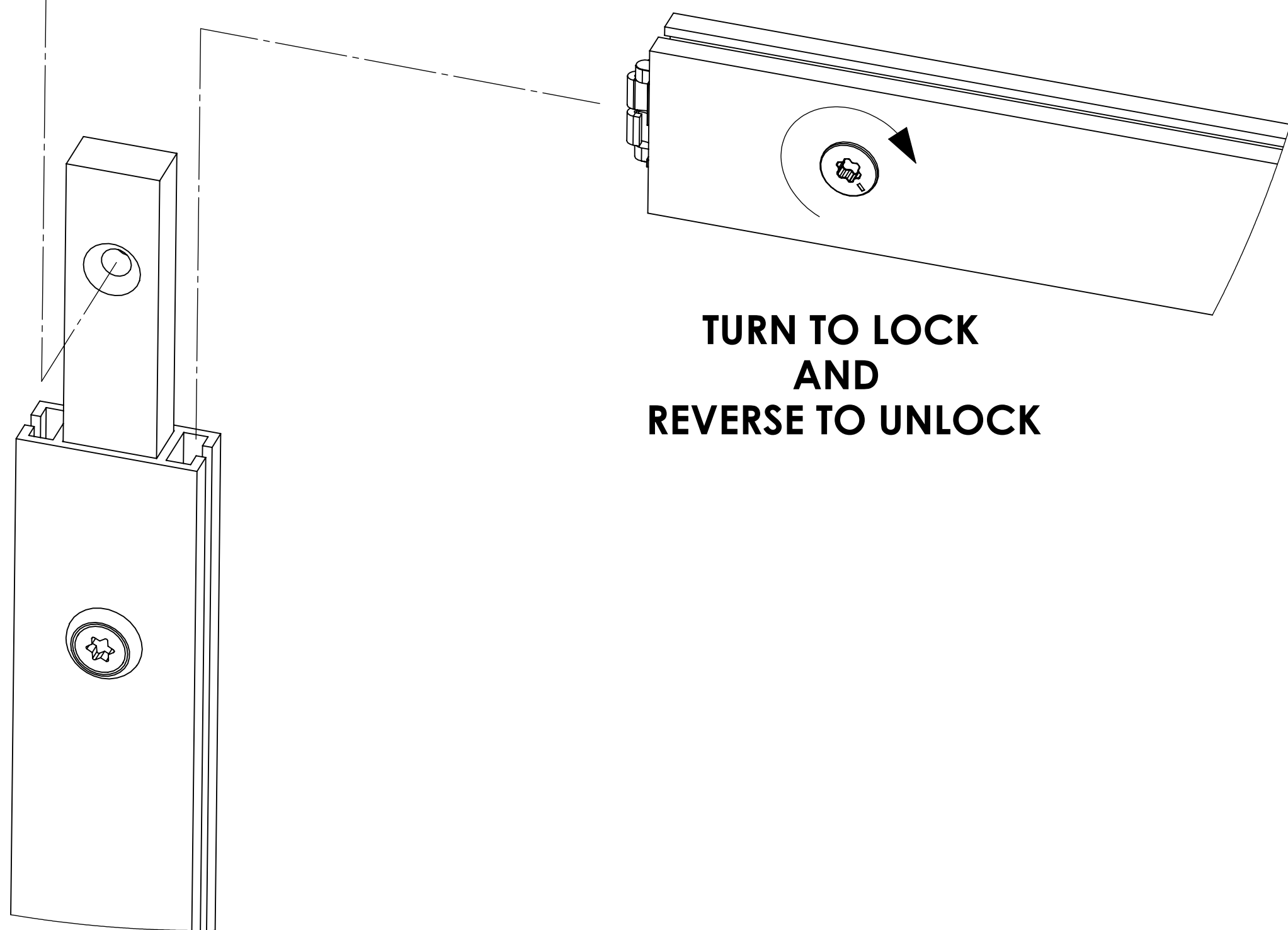
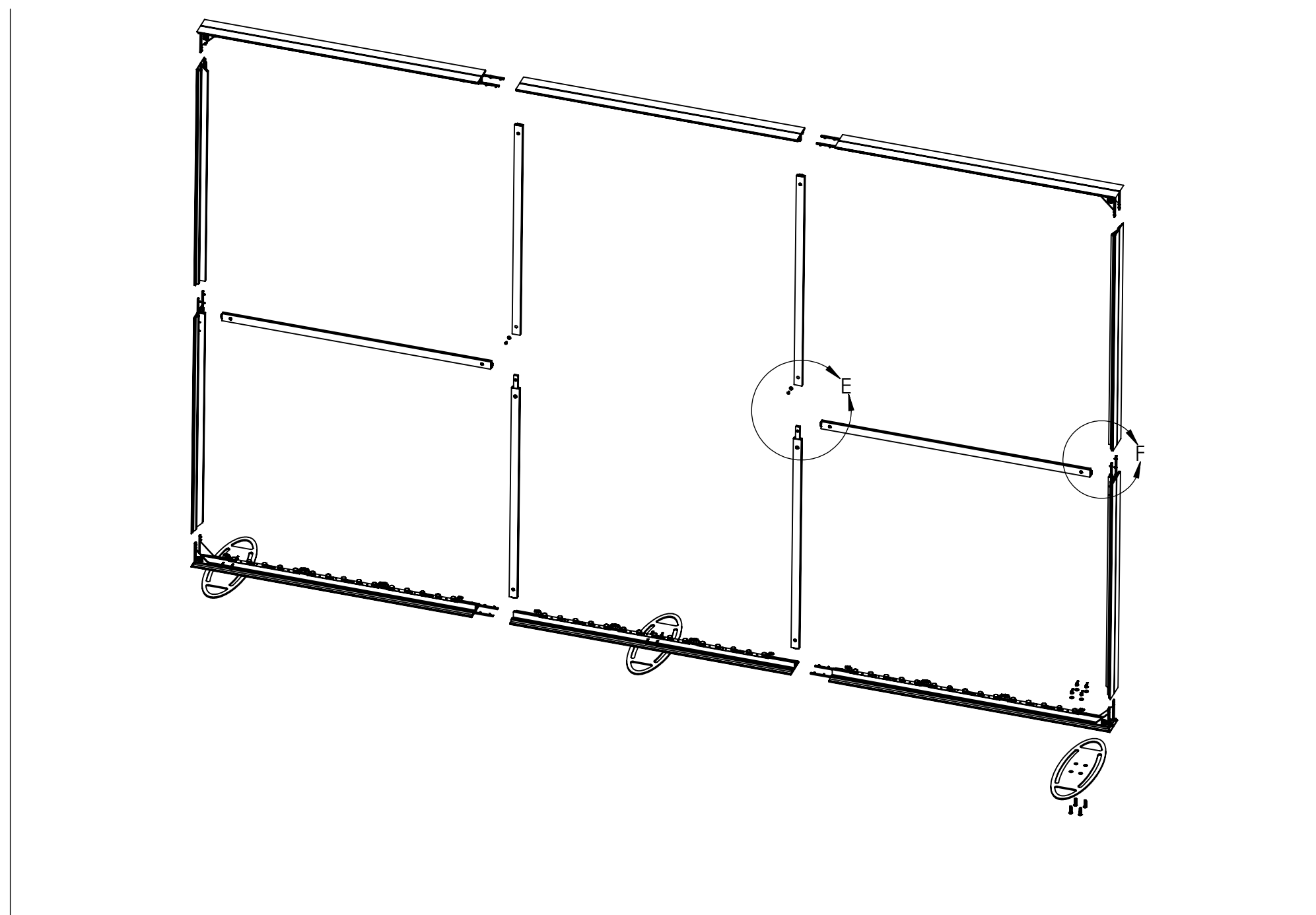
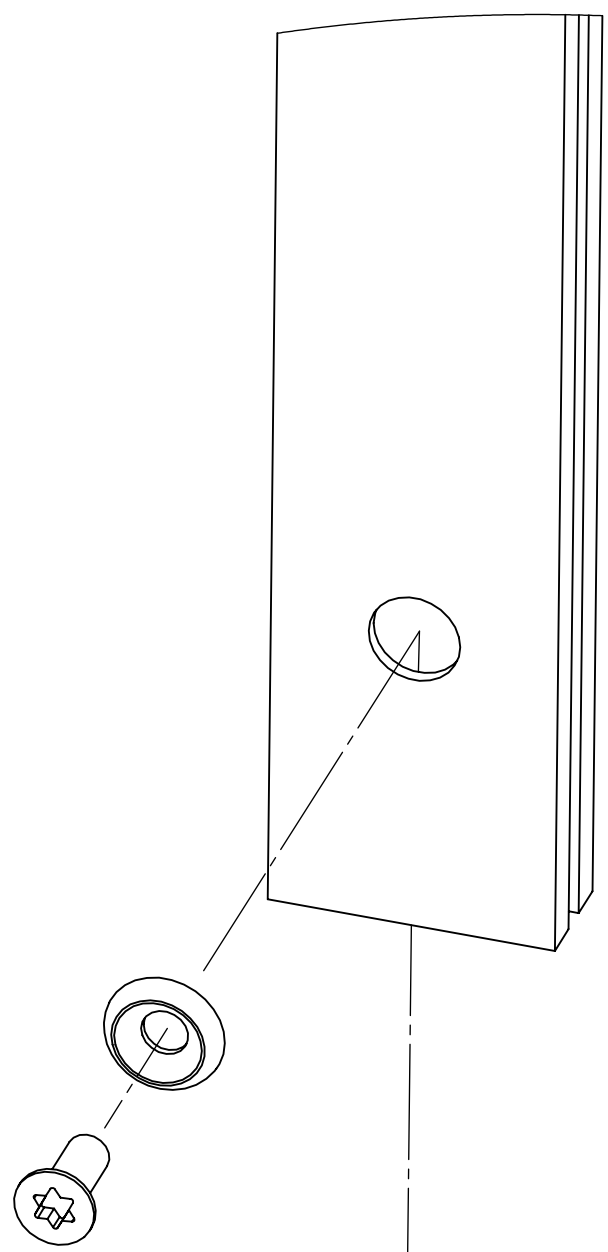
C

B

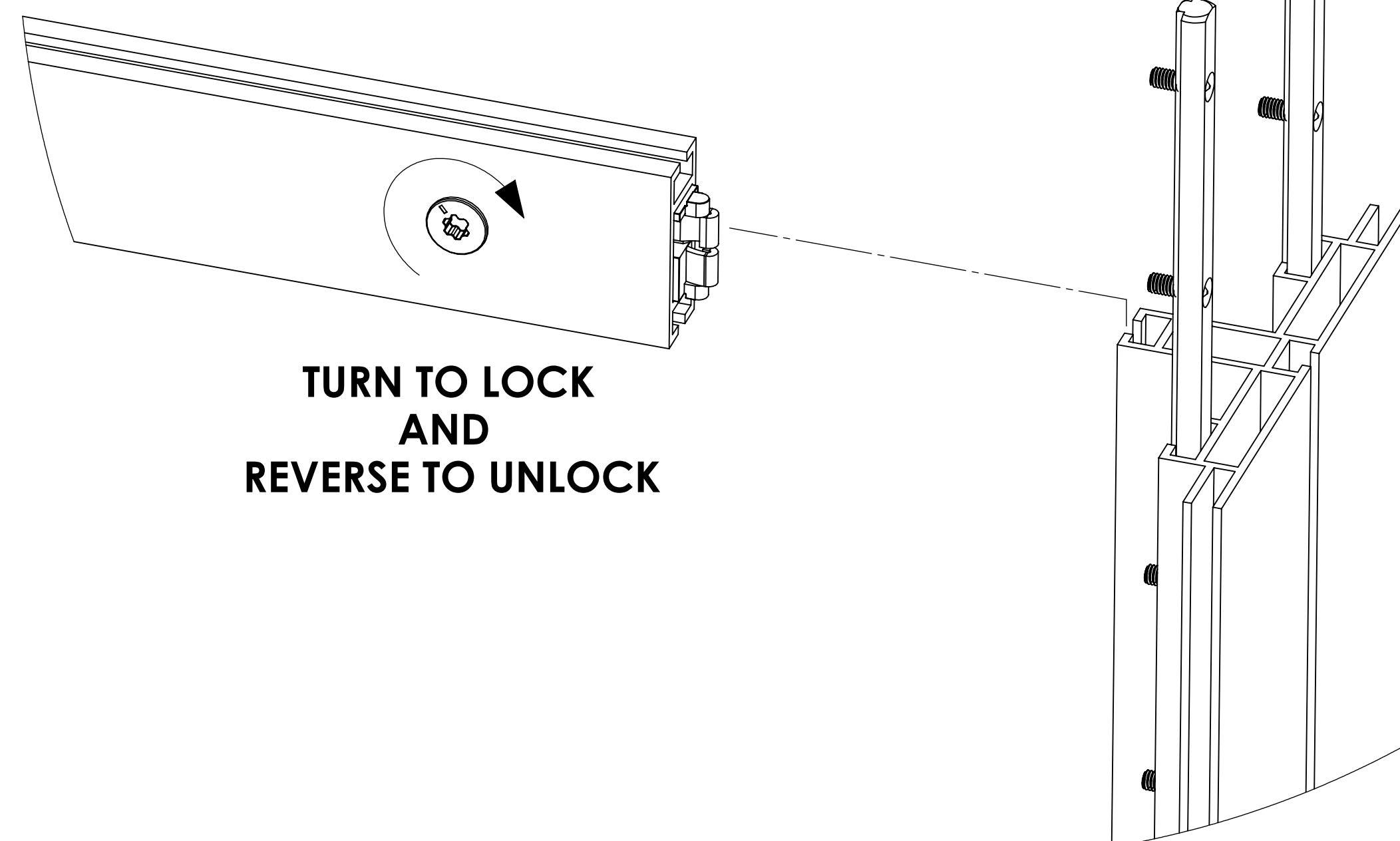
B

A

A



DETAIL E
SCALE 1 : 1



DETAIL F
SCALE 1 : 1

8

7

6

5

4

3

2

1

8

7

6

5

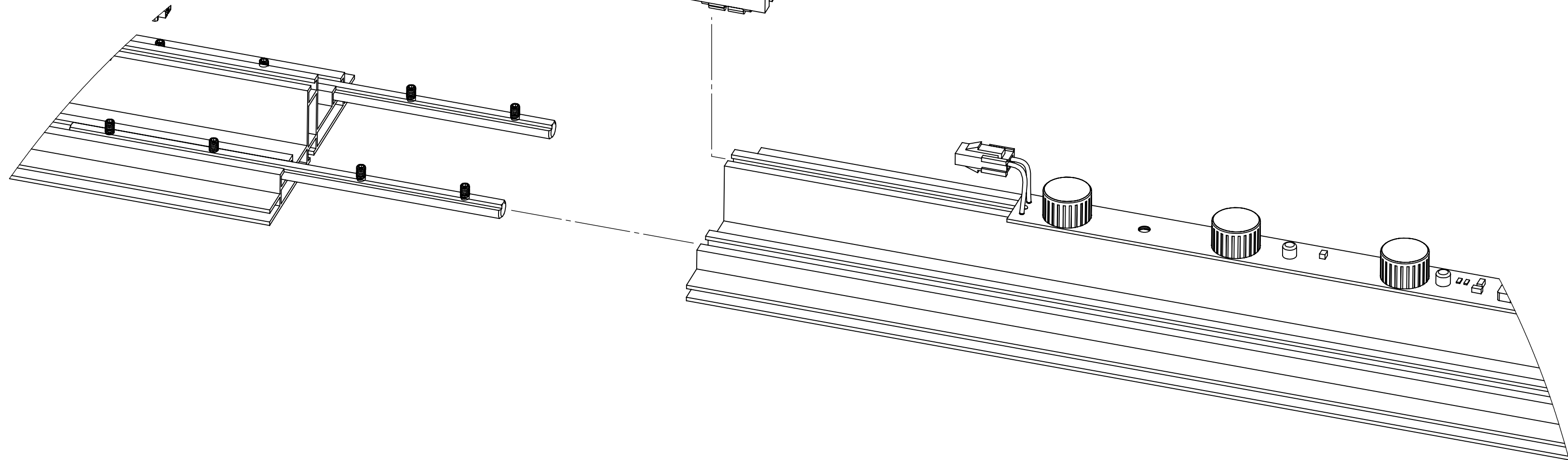
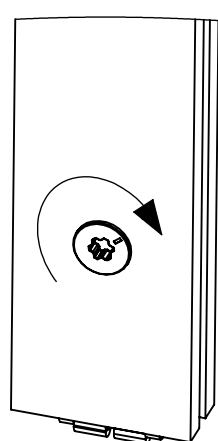
4

3

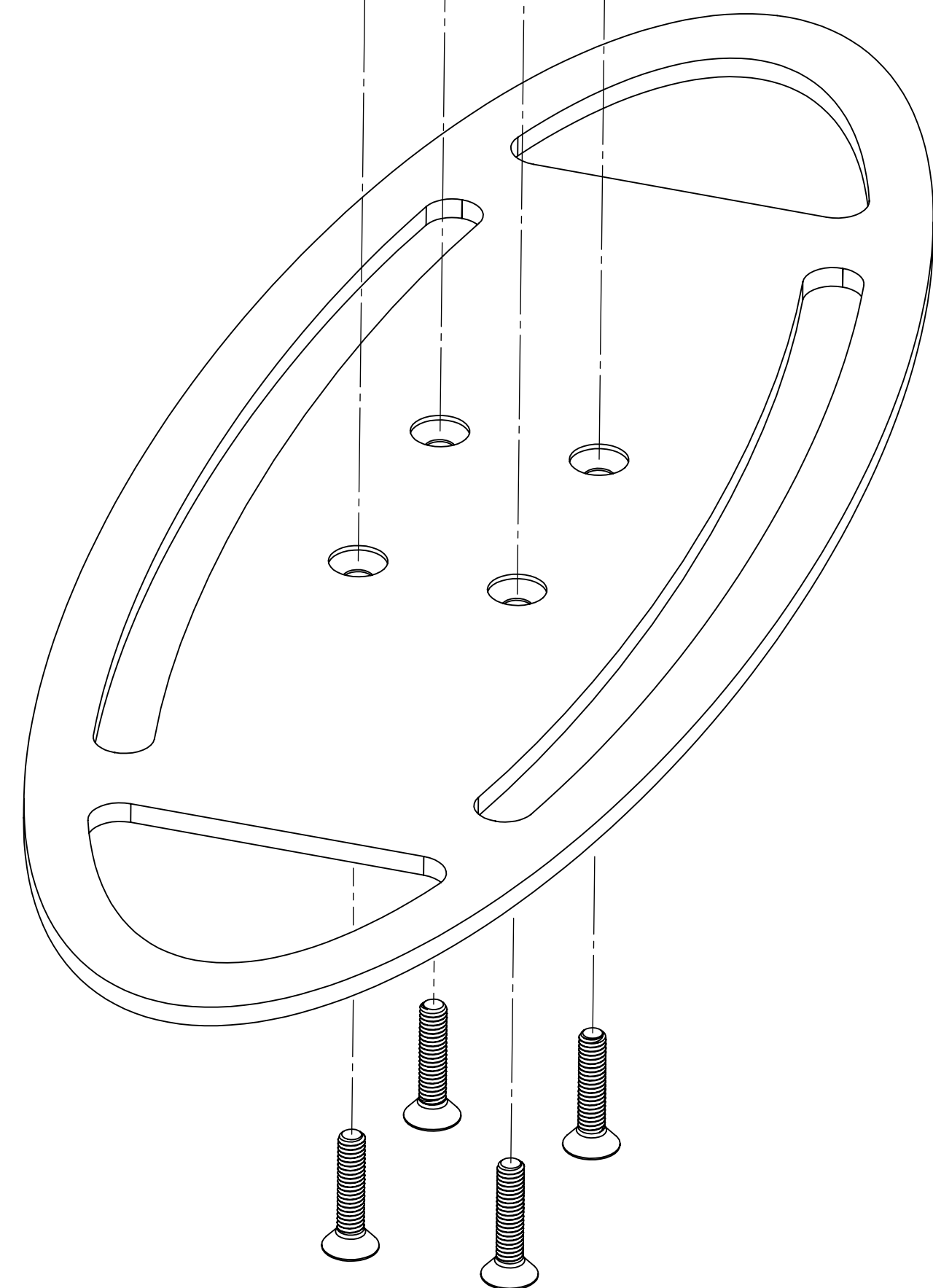
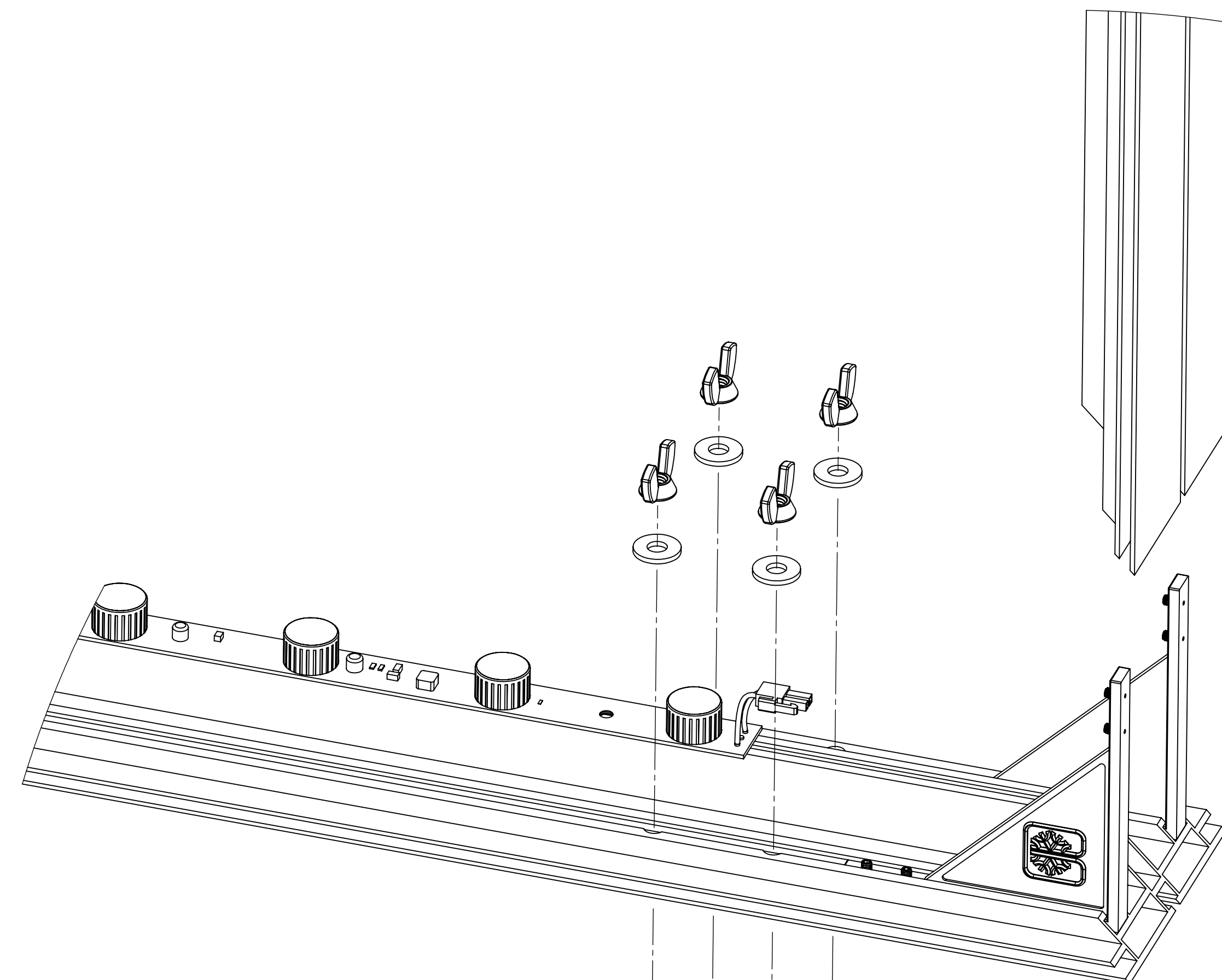
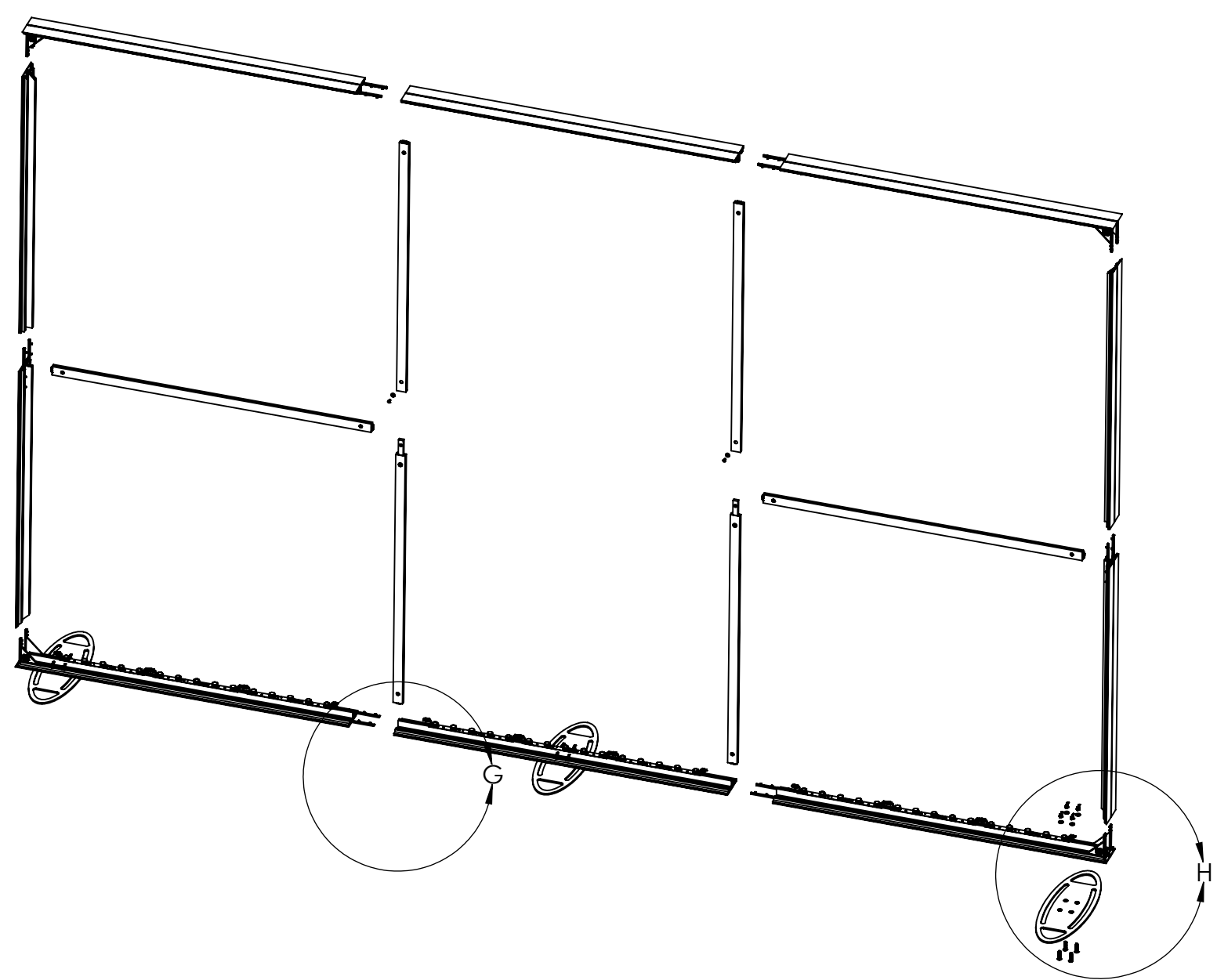
2

1

TURN TO LOCK
AND
REVERSE TO UNLOCK



DETAIL G
SCALE 5 : 8



DETAIL H
SCALE 5 : 8

8

7

6

5

4

3

2

1