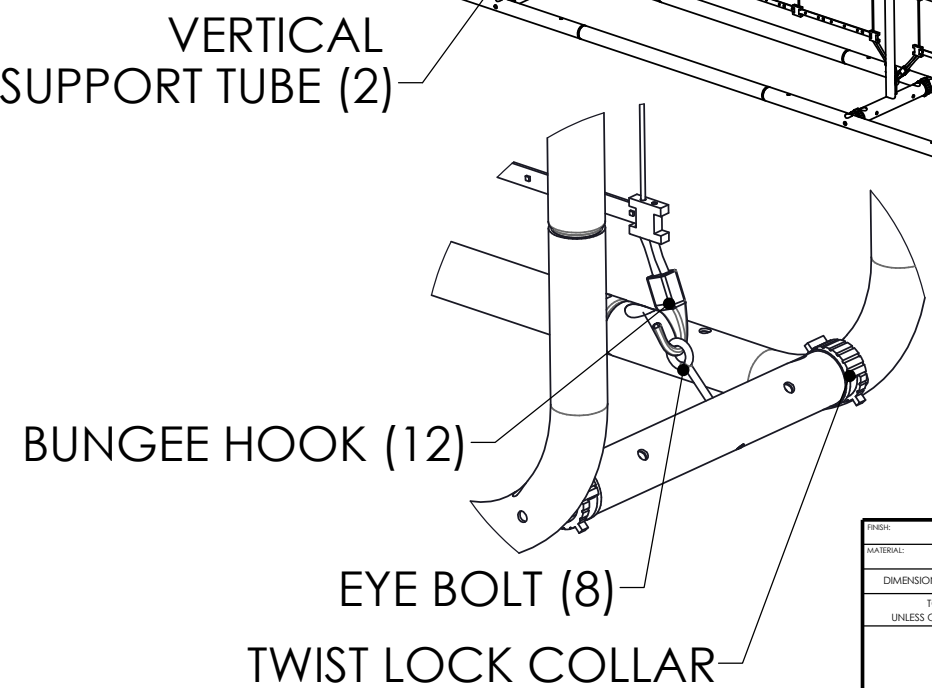
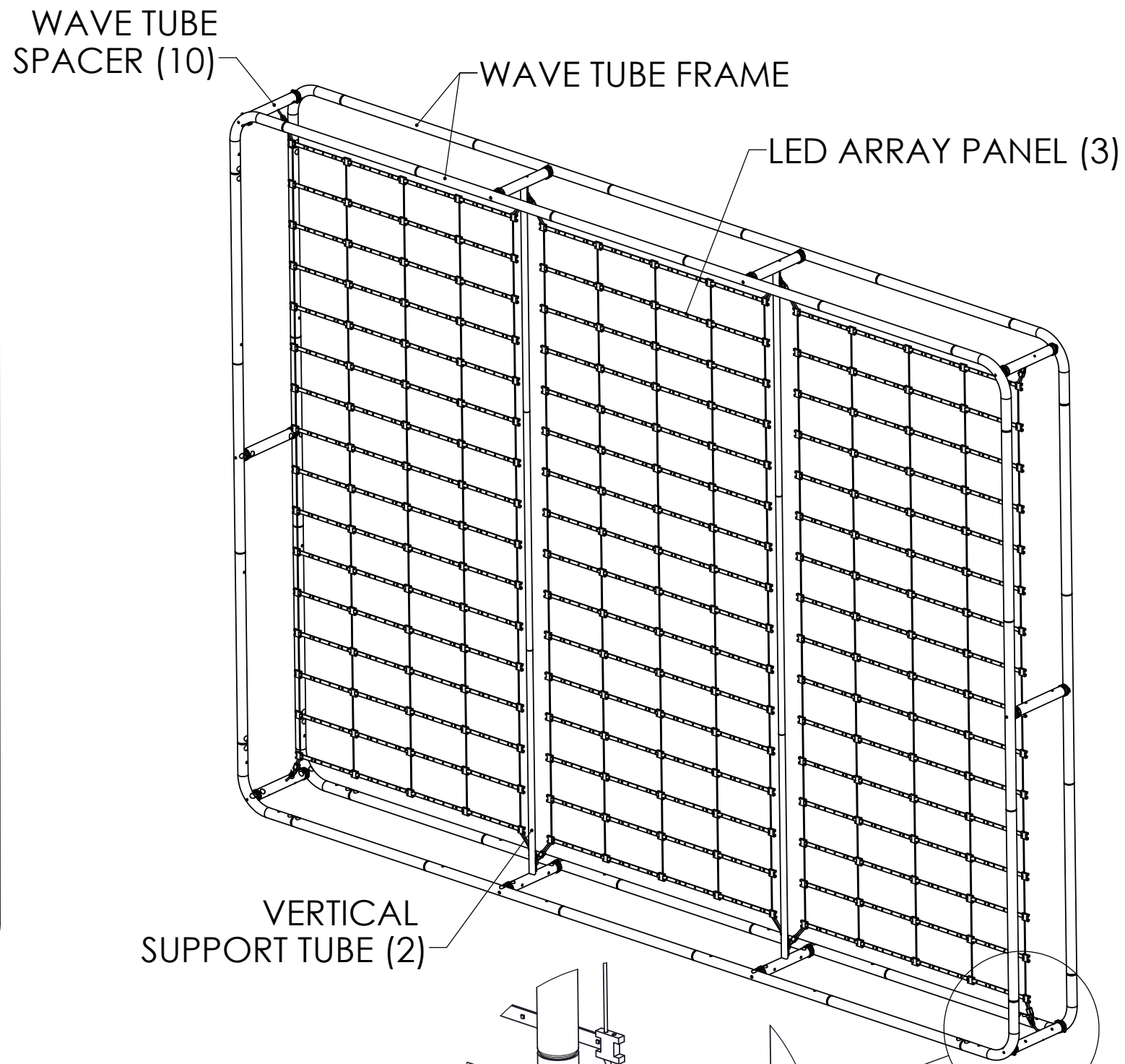
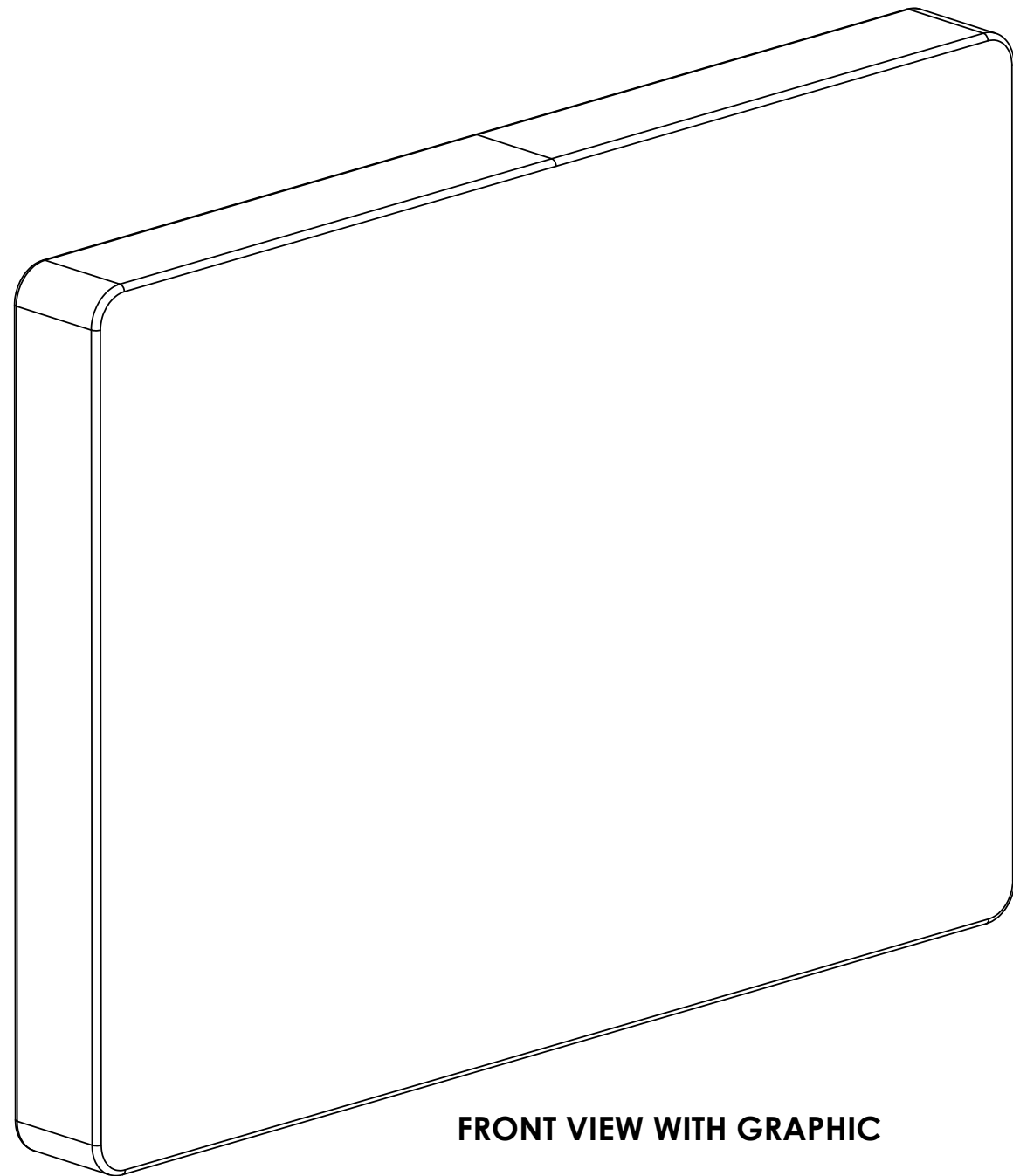


120"x90" WAVE TUBE DYNAMIC DISPLAY FMWT10



SET-UP MANUAL

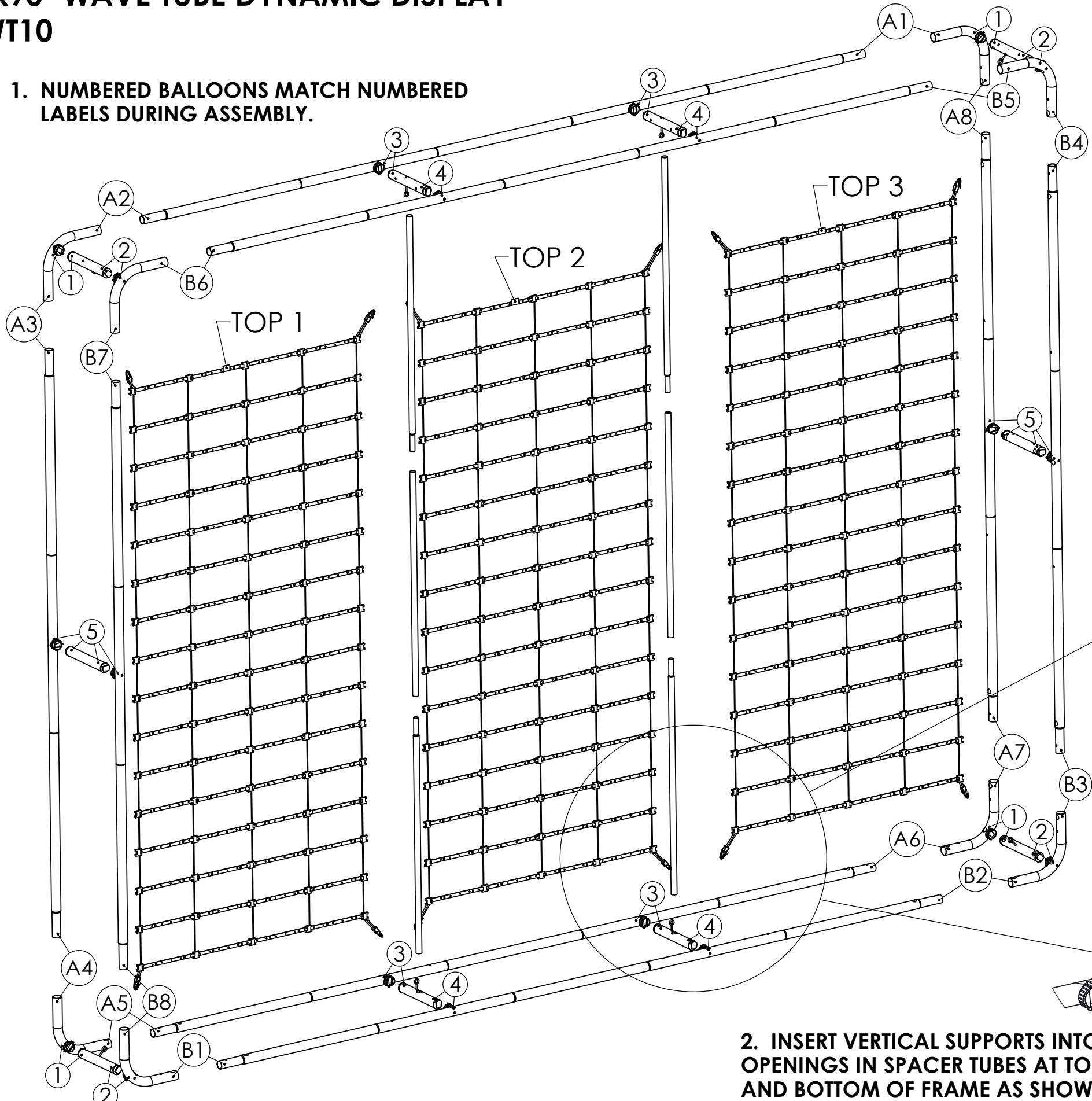


FINISH:	THIRD ANGLE PROJECTION	PROPRIETARY
MATERIAL:		THIS DOCUMENT AND DATA DISCLOSED HEREIN OR HEREWITH IS NOT TO BE REPRODUCED, USED, OR DISCLOSED IN WHOLE OR IN PART TO ANYONE WITHOUT PERMISSION OF NIEDO GROUP, INC.
DIMENSIONS ARE IN MILLIMETERS		NIEDO GROUP, INC. 5465 SW WESTERN AVE. BEAVERTON, OR 97005
TOLERANCES UNLESS OTHERWISE SPECIFIED		120" X 90" WAVE TUBE DYNAMIC DISPLAY SET UP INSTRUCTIONS
REV B	DWG. NO.	REV -01
SCALE: NA	DO NOT SCALE DRAWING	SHEET 1

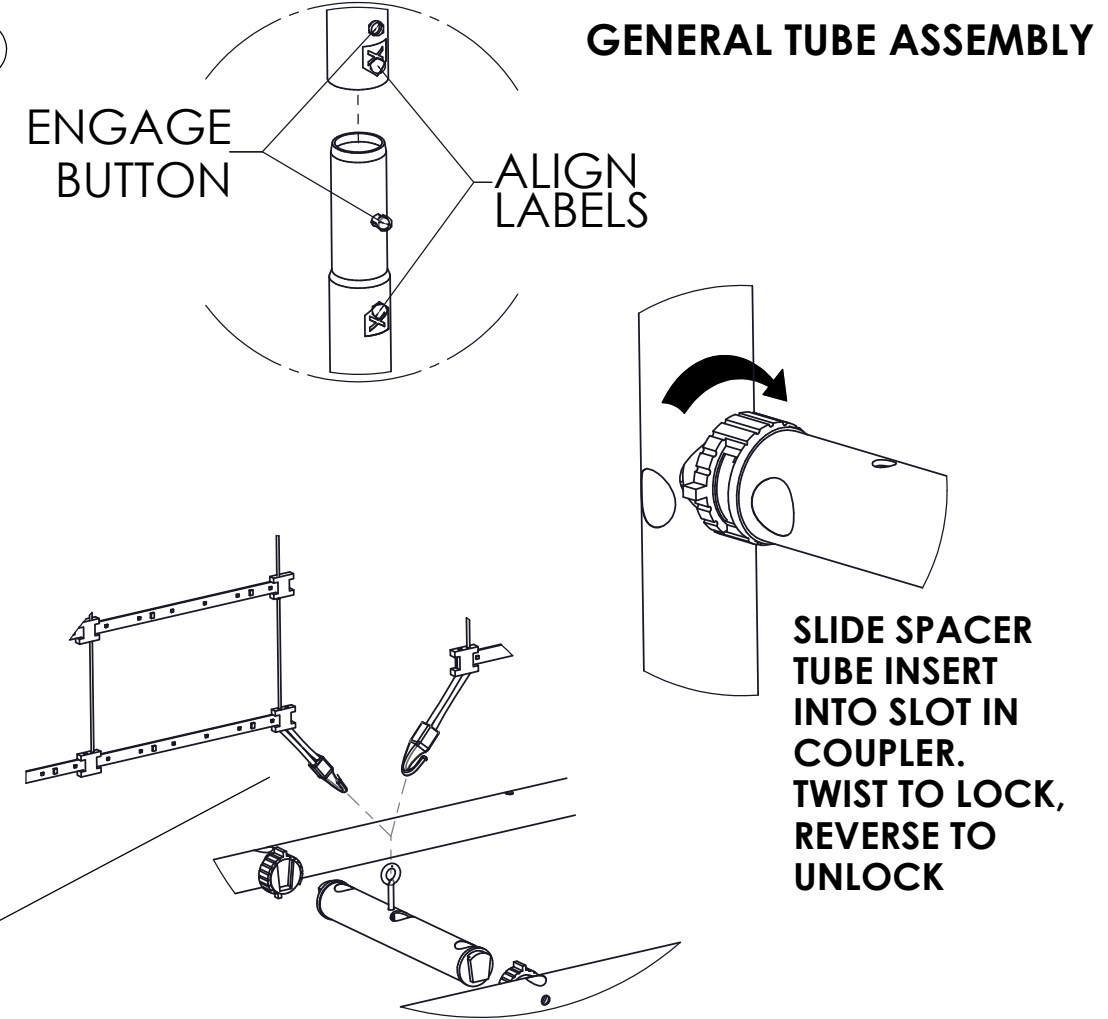
120"x90" WAVE TUBE DYNAMIC DISPLAY FMWT10

ASSEMBLY DETAILS

1. NUMBERED BALLOONS MATCH NUMBERED LABELS DURING ASSEMBLY.



GENERAL TUBE ASSEMBLY



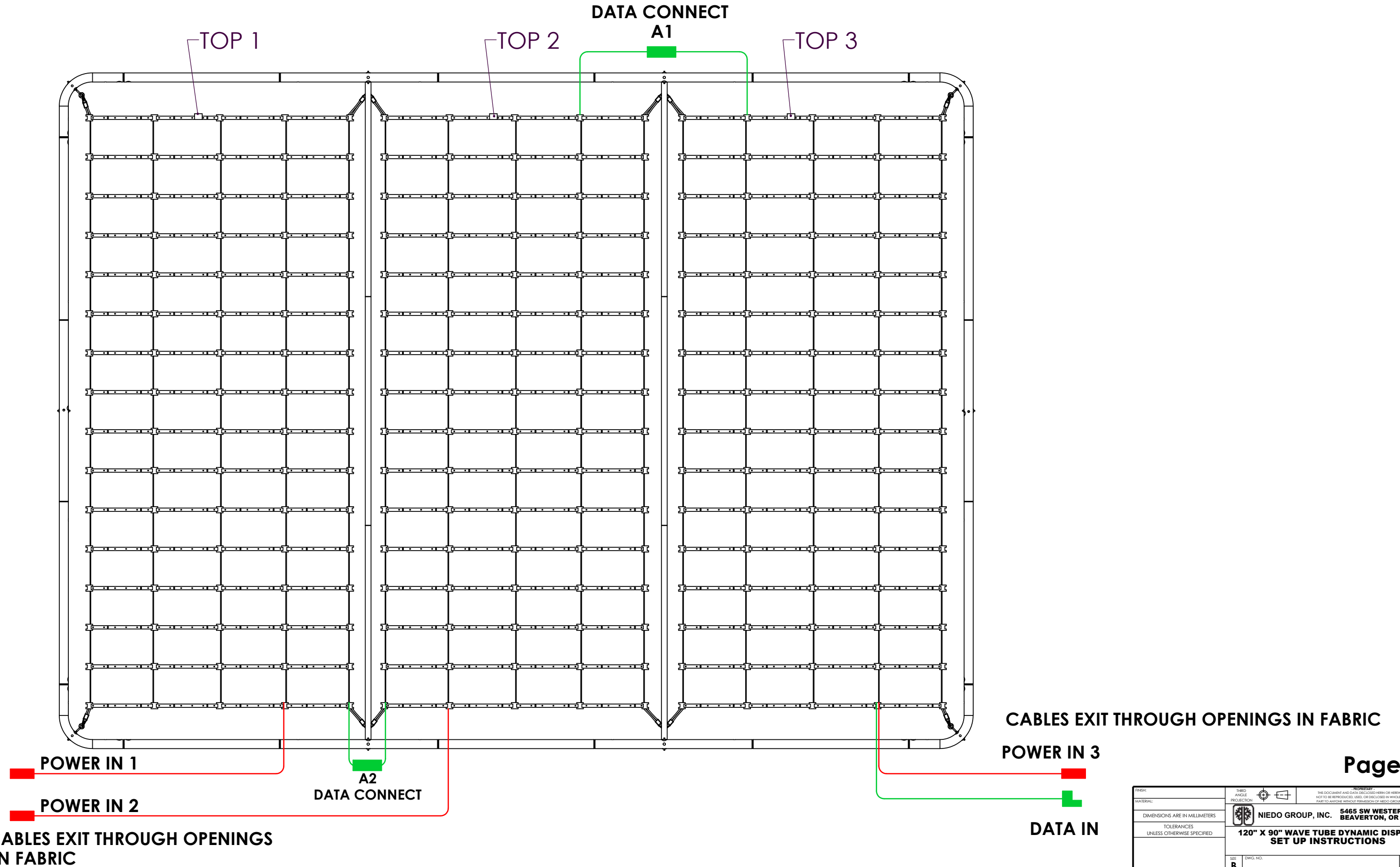
3. INSTALL LED ARRAYS FROM LEFT SIDE ACCORDING TO TAGS AT TOP LABELED "TOP 1", "TOP 2" AND "TOP 3" AS SHOWN. ENGAGE BUNGEE HOOKS INTO (8) EYEBOLTS AT TOP AND BOTTOM OF FRAME AS SHOWN.

2. INSERT VERTICAL SUPPORTS INTO OPENINGS IN SPACER TUBES AT TOP AND BOTTOM OF FRAME AS SHOWN

FINISH:	THIRD ANGLE PROJECTION	PROPERTY: THIS DOCUMENT AND DATA DISCLOSED HEREIN OR HEREBY IS NOT TO BE REPRODUCED, USED, OR DISCLOSED IN WHOLE OR IN PART TO ANYONE WITHOUT PERMISSION OF NIEDO GROUP, INC.
MATERIAL:		
DIMENSIONS ARE IN MILLIMETERS	NIEDO GROUP, INC. 5465 SW WESTERN AVE. BEAVERTON, OR 97005	
TOLERANCES UNLESS OTHERWISE SPECIFIED	120" X 90" WAVE TUBE DYNAMIC DISPLAY SET UP INSTRUCTIONS	
REV B	DWG. NO.	REV -01
SCALE: NA	DO NOT SCALE DRAWING	SHEET 1

120"x90" WAVE TUBE DYNAMIC DISPLAY FMWT10

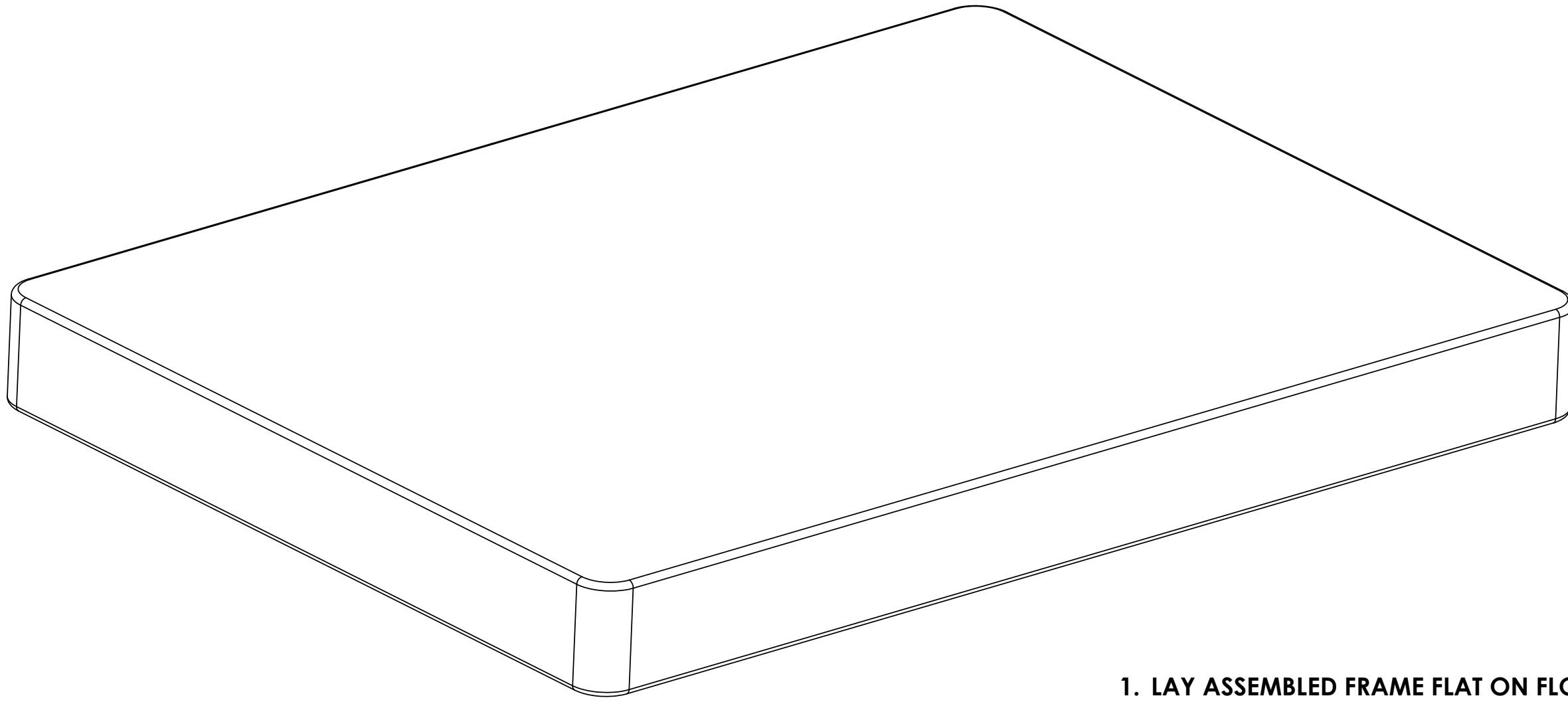
WIRING INTERCONNECT DIAGRAM




FINISH:	THIRD ANGLE PROJECTION	PROPERTY: THIS DOCUMENT AND DATA DISCLOSED HEREIN OR HEREBY IS NOT TO BE REPRODUCED, USED, OR DISCLOSED IN WHOLE OR IN PART TO ANYONE WITHOUT PERMISSION OF NIEDO GROUP, INC.
MATERIAL:		
DIMENSIONS ARE IN MILLIMETERS	NIEDO GROUP, INC. 5465 SW WESTERN AVE. BEAVERTON, OR 97005	
TOLERANCES UNLESS OTHERWISE SPECIFIED	120" X 90" WAVE TUBE DYNAMIC DISPLAY SET UP INSTRUCTIONS	
REV: B	DWG. NO.:	REV: -01
SCALE: NA	DO NOT SCALE DRAWING	SHEET 1

120"x90" WAVE TUBE DYNAMIC DISPLAY FMWT10

GRAPHIC ASSEMBLY DETAIL



1. LAY ASSEMBLED FRAME FLAT ON FLOOR
2. SLIDE GRAPHIC OVER FRAME LIKE A PILLOW CASE.
3. ADJUST SEAMS AND SIDES, THEN ZIP CLOSED.
4. STAND COMPLETED ASSEMBLY UP TO DISPLAY.

FINISH:	THIRD ANGLE PROJECTION	PROPERTY: THIS DOCUMENT AND DATA DISCLOSED HEREIN OR HEREWITH IS NOT TO BE REPRODUCED, USED, OR DISCLOSED IN WHOLE OR IN PART TO ANYONE WITHOUT PERMISSION OF NIEDO GROUP, INC.
MATERIAL:	 NIEDO GROUP, INC. 5465 SW WESTERN AVE. BEAVERTON, OR 97005	
DIMENSIONS ARE IN MILLIMETERS	120" X 90" WAVE TUBE DYNAMIC DISPLAY SET UP INSTRUCTIONS	
TOLERANCES UNLESS OTHERWISE SPECIFIED		
SIZE: B	DWG. NO.:	REV: -01
SCALE: NA	DO NOT SCALE DRAWING	SHEET 1