

FLOW-MOTION®

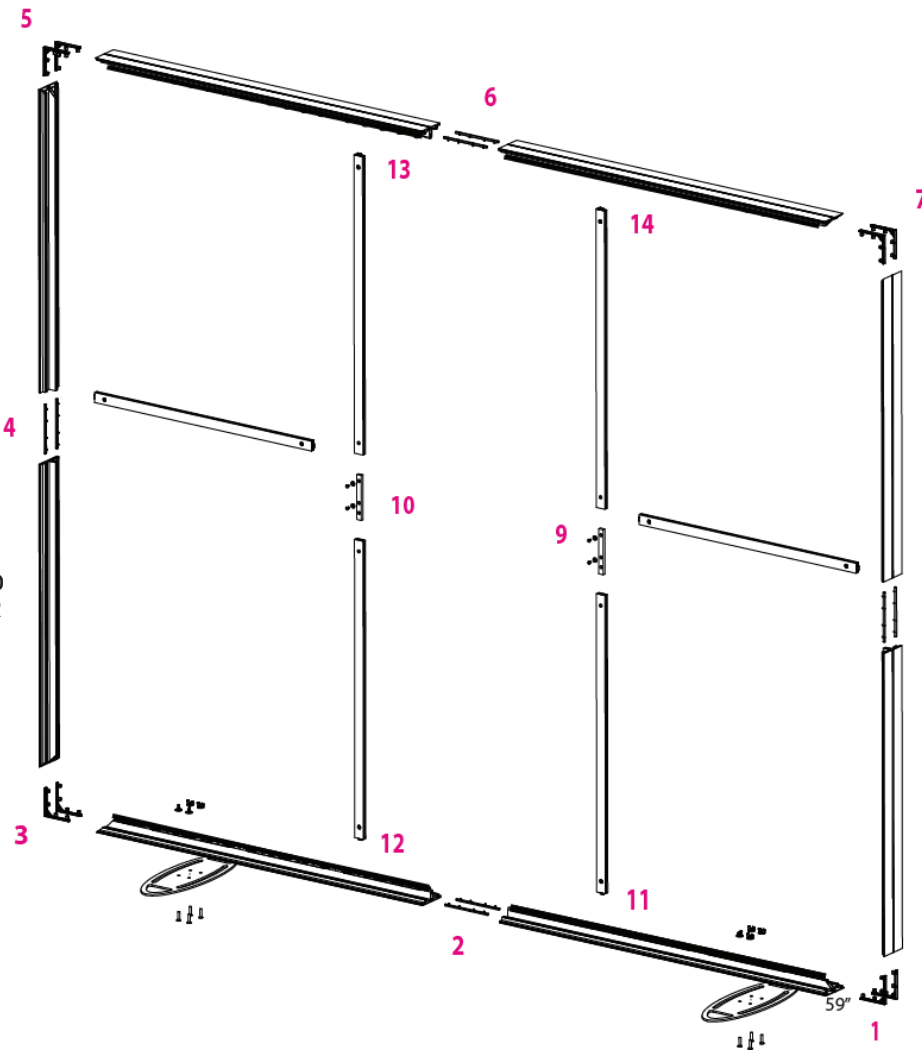
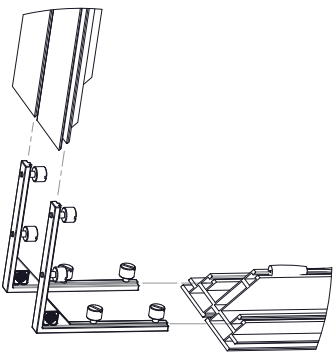
DYNAMIC
ANIMATED
LIGHT BOXES

IGFM1 18x90 Frame Setup Instructions

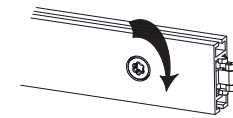
1. PLACE FRAME FLAT ON THE FLOOR PAIRING LIKE NUMBERS. ASSEMBLE FRAME SIDES WITH JOINT INSERTS IN OUTSIDE CHANNELS OF FRAME AS SHOWN. TIGHTEN SETSCREWS.



2. ASSEMBLE CORNERS USING CORNER BRACKETS INSERTED INTO OUTSIDE CHANNELS OF FRAME AS SHOWN. FINGER TIGHTEN THUMB SCREWS ONLY.

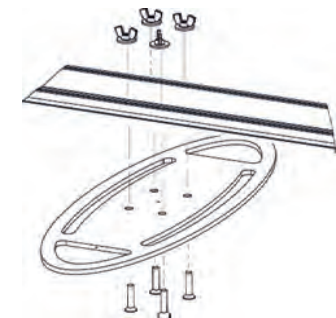


3. ASSEMBLE LONG VERTICAL SUPPORTS BY COUPLING THE 2 SECTIONS USING THE VERTICAL INSERT AND INCLUDED HARDWARE.

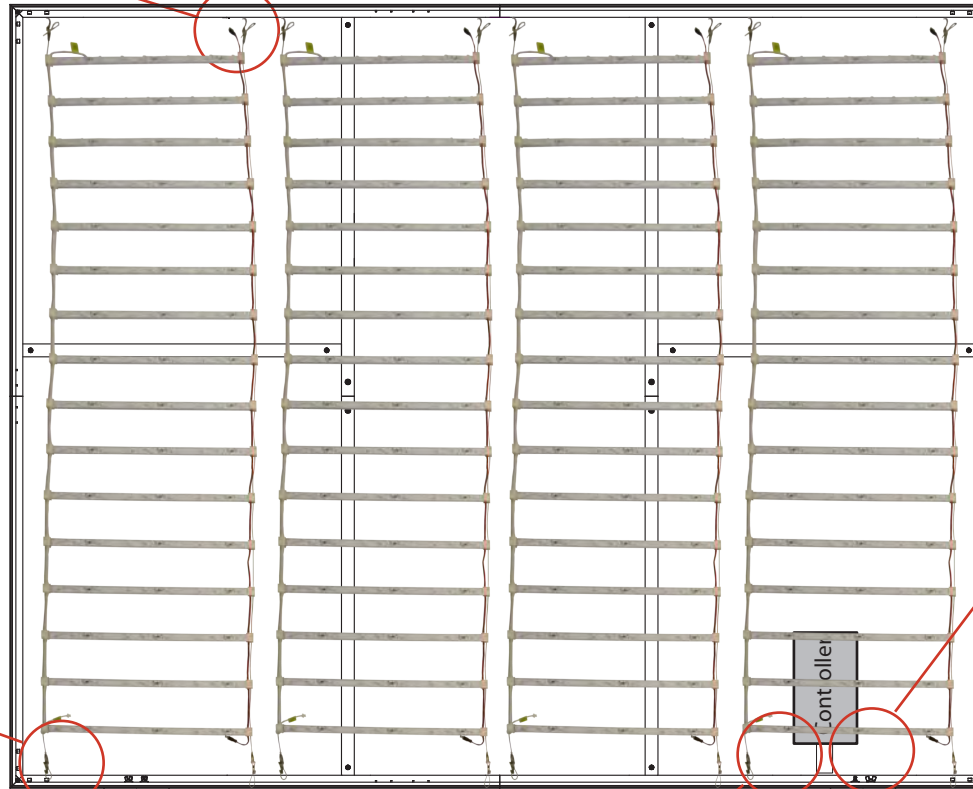


Z4400 EXTRUSION
INTERLOCK. TURN TO
TIGHTEN, REVERSE TO
LOOSEN.

4. ASSEMBLE FEET TO FRAME WITH SCREWS AND HARDWARE PROVIDED. FINGER TIGHTEN WING NUTS.



1.) Adjust top hooks so they are 3" from the top of the board. Hang the lights in front of the support bars with the open side of the hook and the LEDs are facing out. Next hook the bottom of the light through the eyelet and pull cable to tighten the lights.



2.) Install the controller on the backside of the frame. Plug the barrel connector from the controller and all the light curtains into the into the corresponding power supply.



4.) Plug each curtain into the wire harness.



3.) Lay out the wire harness across the bottom of the frame and plug it into the controller.

Silicone Edge Graphics (SEG)

Installation Instructions into hardware

What are Silicone Edge Graphics (SEG)?

SEG are dye-sublimation fabric graphics with silicone strips sewn along the underside of the fabrics edge. SEG frames have grooves along their perimeter designed to snugly hold the silicone strips so the fabric can be stretched across the frame for a drum-tight fit.



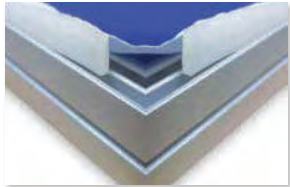
We recommend laying the frame on the floor, then draping the fabric graphic on top.

The following procedure ensures the silicone edge will be placed evenly over the entire frame and NOT STRETCH or GROW at the corners. Once all the edges have been secured, you should have a taut fit with a smooth flat finish.

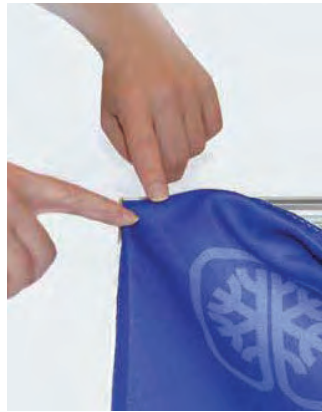
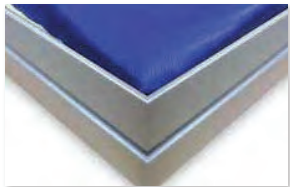
1: With Clean Hands,

Press SEG silicone edge first, into the corners of the frame.

INCORRECT WAY



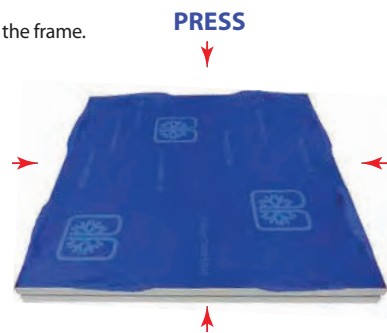
CORRECT WAY



2: Working in Centers.

Go back and press the silicone edge into the center - on each side of the frame.

EXAMPLE: A 20"x20" fabric/frame would be pressed in 8 locations.



REVISED 03/2016

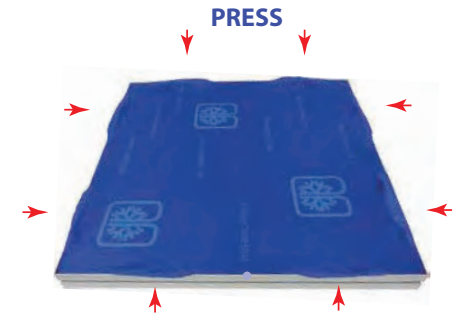
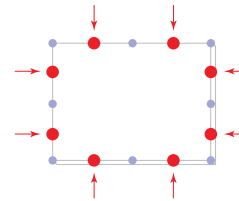
Cont'd.

3: Working in Centers again,

Go back and press the silicone edge once again on each side previous center, on all 4 sides.

Repeat this process, (WORKING IN CENTERS) until the SEG fabric's edge is pressed approximately every 6 inches apart.

EXAMPLE: A 8' x 8' frame (using this procedure) will have been pressed/tucked 15 times (not including corners) on each side of the frame.



4: After all has been pressed into your frame using

this procedure, lightly tap your forefinger to smooth fabric between the tucks.



CARE INSTRUCTIONS

Due to the fine quality, smoothness and weave of the fabric, great care must be taken to extend the life of your SEG fabric graphics.

We recommend very loosely folding your graphic, making sure there are no hard creases or folds or that the fabric doesn't catch on sharp objects.

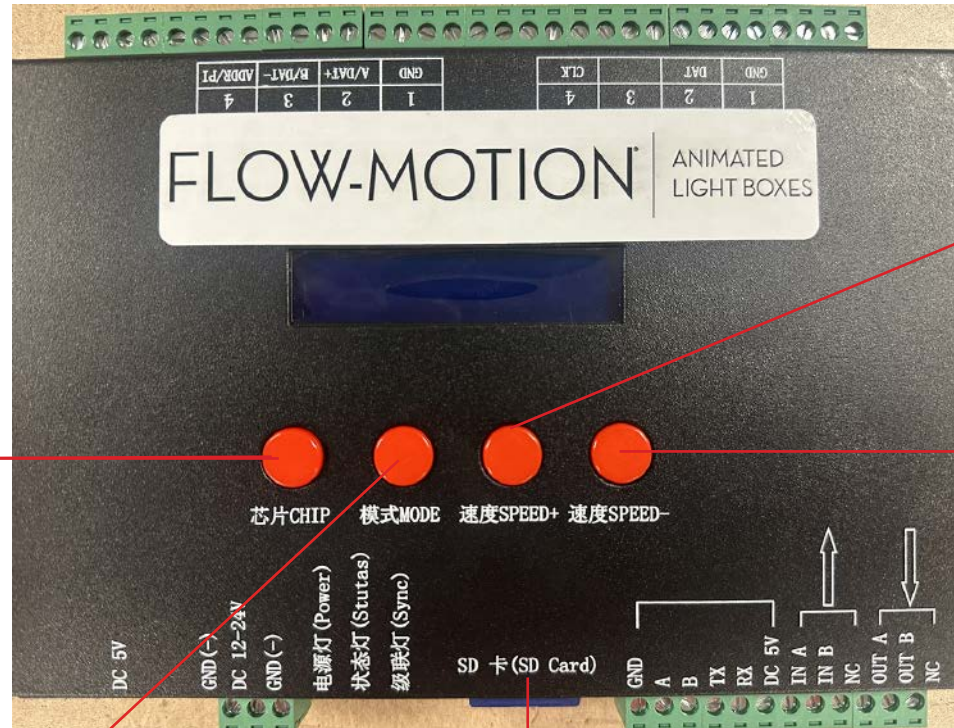
Store in a clean bag.
A plastic bag or pillow case is ideal.
Graphics can also be spot cleaned with a damp cloth.

To wash entire graphic, use a commercial size front loading washing machine on gentle cycle with cool water. Do NOT dry clean.

You can also gently iron the back side using the Polyester setting of your iron.



REVISED 04/2016



The chip is preset. Do Not use this button.

Increase the speed of the program by pressing the "Speed+" button.

Increase the speed of the program by pressing the "Speed-" button.

The controller has 22 built in test modes. Power it on without an SD card and press the "Mode" button to choose a pattern.

Plug in an SD card with the power OFF. The SD card may contain up to 32 different programs that will be automatically loaded when powered up. The SD card must remain inserted during operation. To cycle through the programs press the "MODE" button.