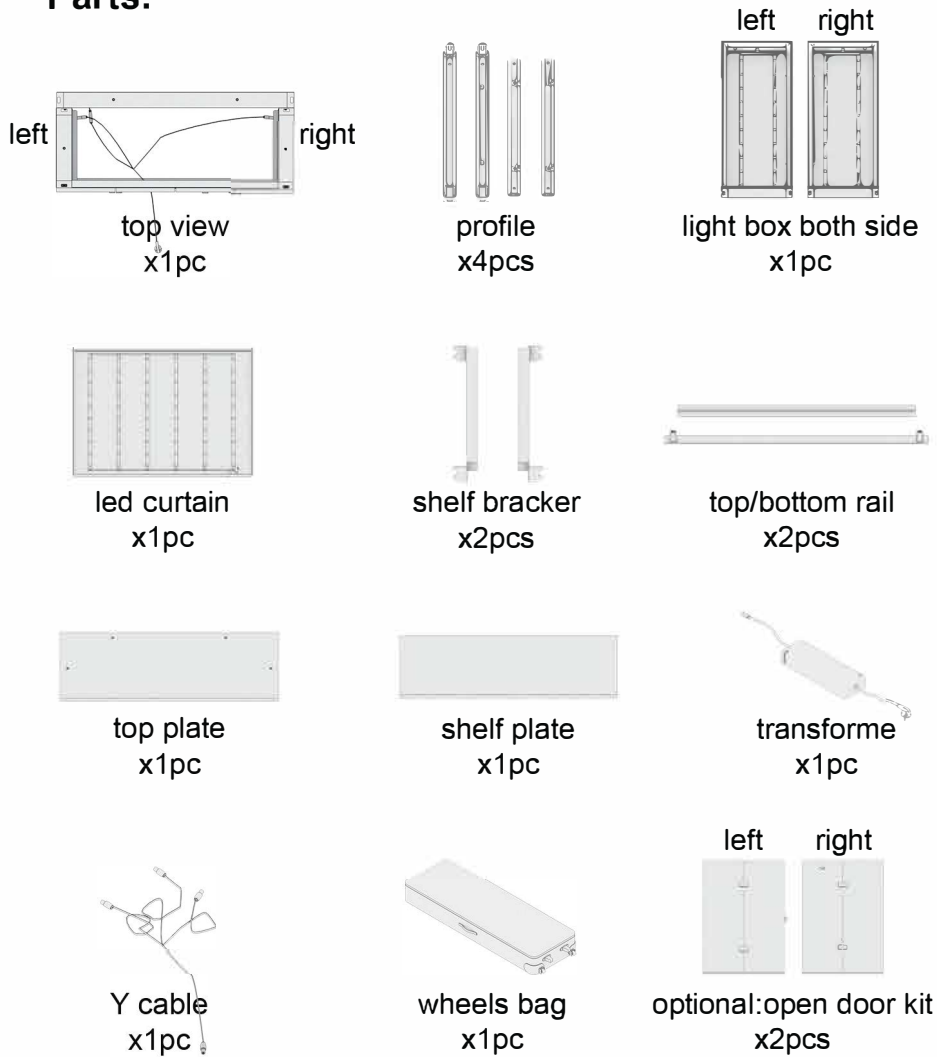
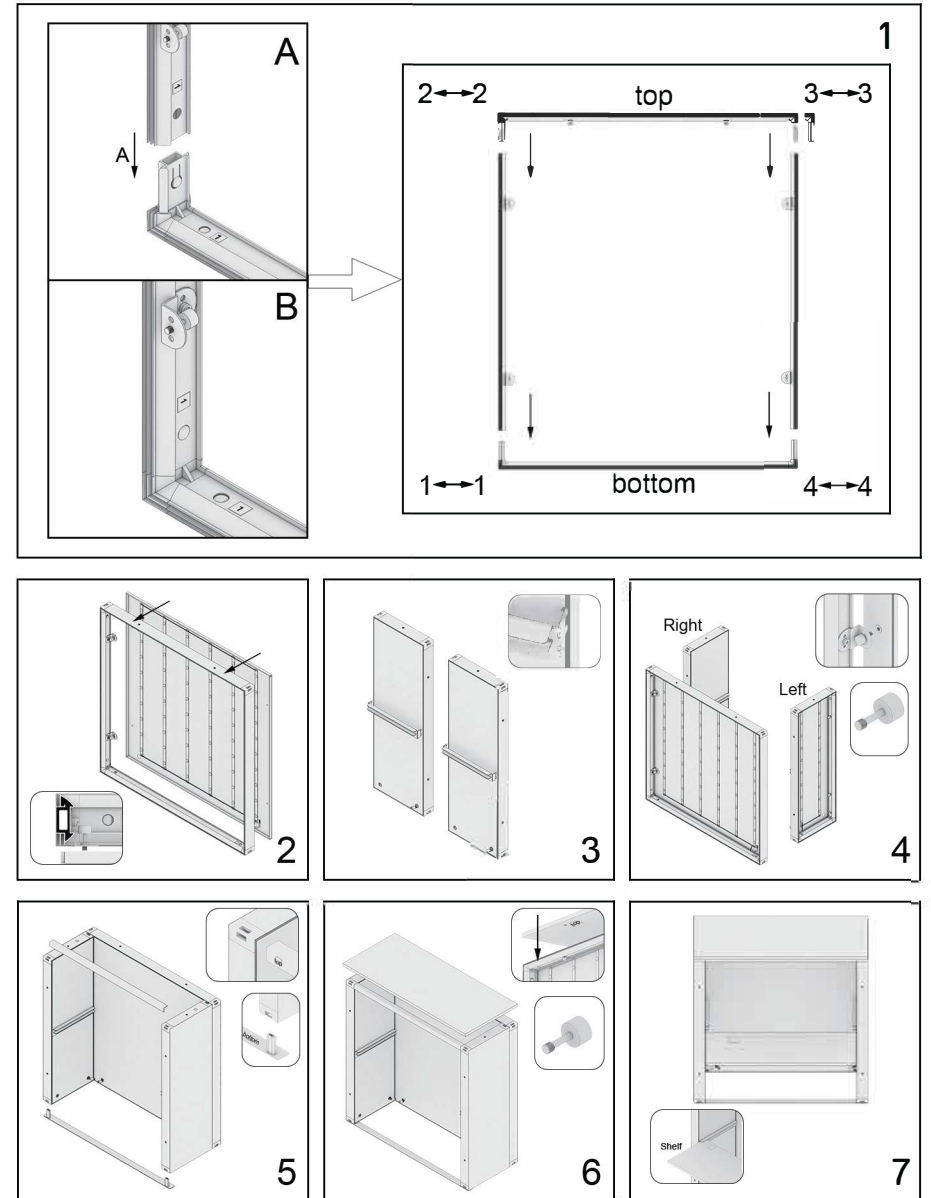


Igniter Lightbox Storage Counter (IGSC)

Parts:

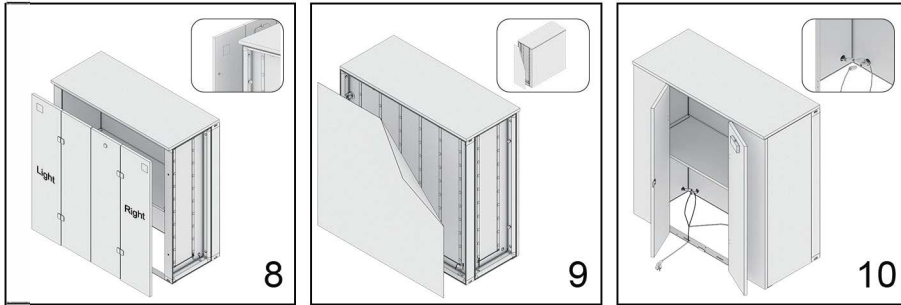


Assembly instructions: follow all labels.



Igniter Lightbox Storage Counter (IGSC)

Assembly Instructions:



Counter Assembly

Remove all components from the packaging and place them on a clean surface. Inspect all components for damage (contact us immediately if any damage is found).

Print Assembly

Step 1: assemble the structure frame based on the label numbers

Step 2: install the Black LED curtain always begin with 4 corners first.

Step 3: hook the shelf's bracket on both side small lightbox.

Step 4: Mounting the both side small lightbox by the black screws.

Step 5: insert the top bar into the frame channel and insert the bottom bar into the corner hole.

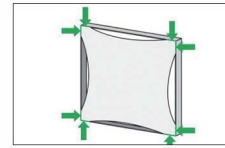
Step 6: Mounting the top plates by the 4 pcs red screws.

Step 7: Sliding the shelf into the bracket.

Graphic Installation

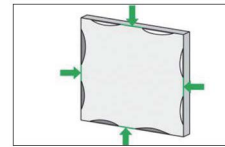
Step 8: 2pcs open door kits, mounting with the both side frame by 2 red screws.

Step 9: install the 3 side graphics always begin with 4 corners first.



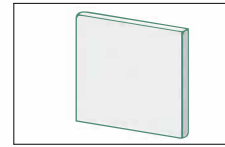
1. Corner Installation

Start the assembly with the corners. Insert the silicone edge into each corner of the frame, paying attention to its correct positioning inside the profile.



2. Edge installation

After securing the corners, press the silicone edge into the profile. Apply even pressure along the entire length of the profile.



3. Tension Check

Ensure that the graphic is evenly tensioned and that the fabric does not form folds or wrinkles. If necessary, gently adjust the silicone edge inside the profile.

Step 10: connect the cable with 3 side LED curtain and power
****Notes:** pay attention to the top and bottom and R and L label.

Important Notes for use:

Should contain below (for outdoor miss point 1 and 2)

1. Use only in dry indoor areas.
2. Protect from moisture, direct contact with water, and extreme temperatures.
3. Recommended operating temperature: +10°C to +35°C.
4. Assembly must be carried out in accordance with the manufacturer's instructions.

THREE-SIDED LIGHT BOX

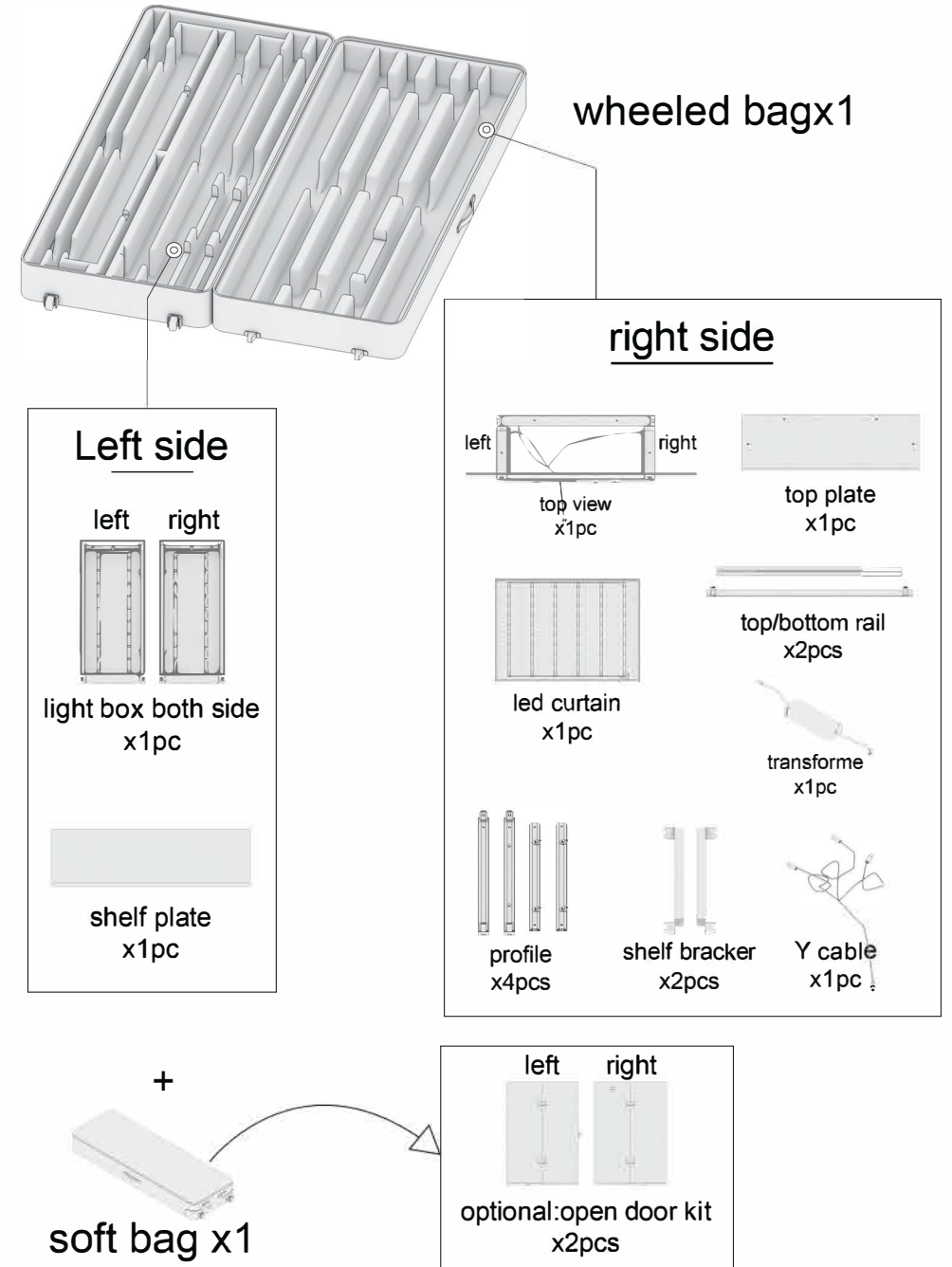
Instruction product

Important Notes for use:

Should contain below (for outdoor miss point 1 and 2)

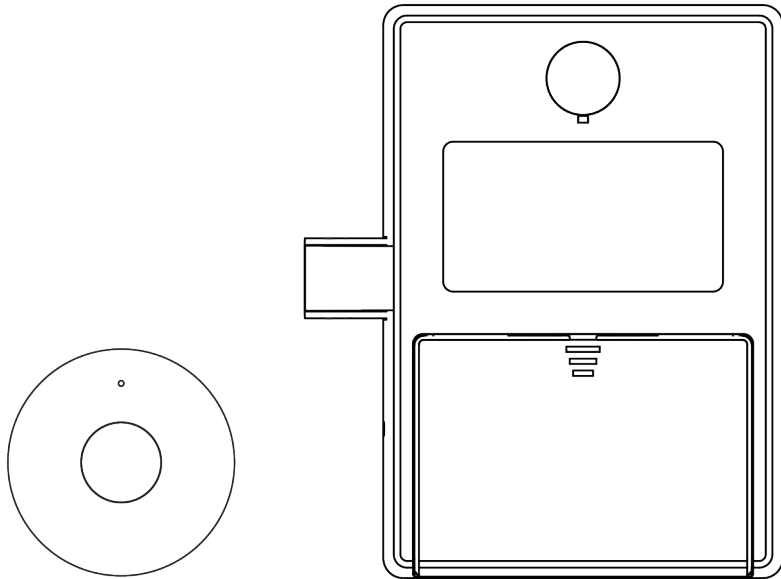
- It is prohibited to: modify structural elements, use non-original parts, apply excessive force when assembling the frames.
- Before each assembly, check: completeness of the set, absence of mechanical damage to profiles and connectors.
- It is not allowed to: lean on the structure, sit on it, hang additional elements (lighting, monitors, decorations) if they are not provided for this system.
- The structure is not intended for use by children.
- Transport the structure in dedicated bags or cases, protected against impacts and scratches.
- The structure should be stored: in a dry room, in a horizontal position or in accordance with the manufacturer's recommendations.
- The structure should not be stored loose or under heavy pressure from other elements/structures.
- The manufacturer shall not be liable for: damage resulting from improper assembly,

PACKAGING



FINGERPRINT CABINET LOCK

USER MANUAL

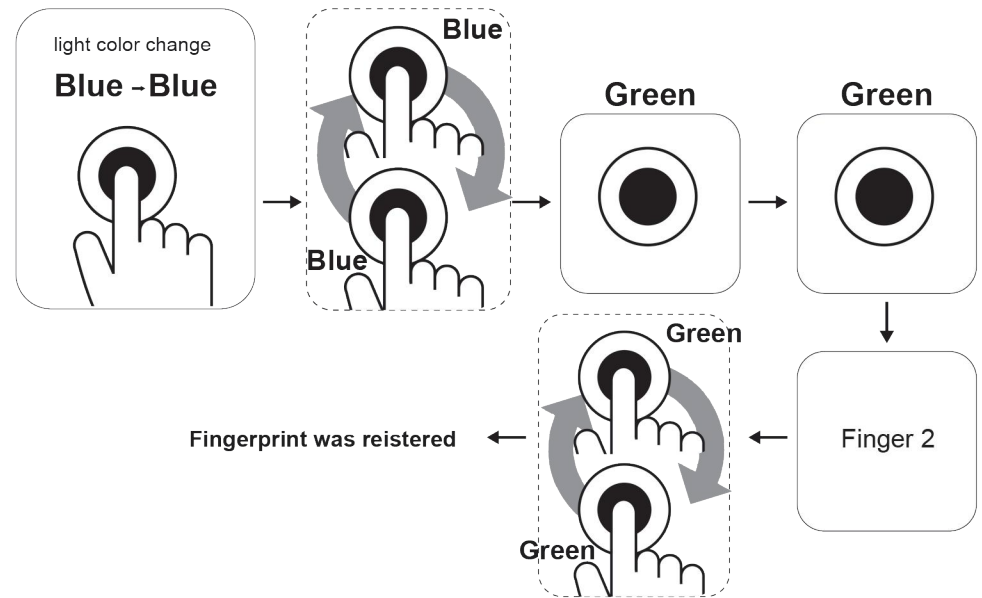


Feature

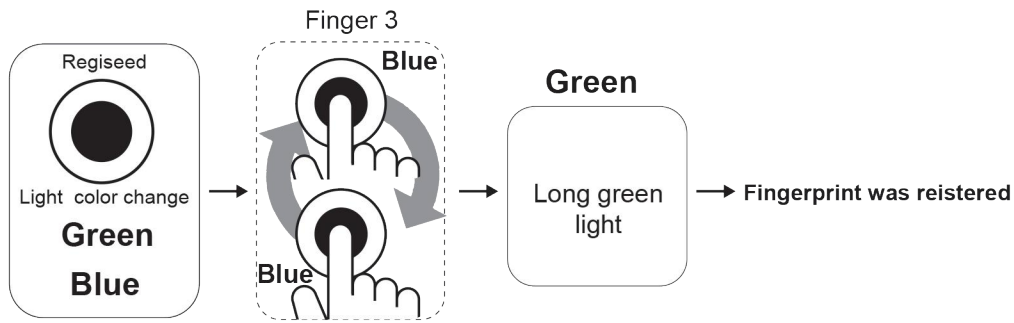
1. Biometric sensors with high sensitivity
2. Fingerprint capacity: 20
3. Morse code emergency unlocking
4. Usage Scenarios: drawer, cabinet, wardrobe etc

1. How to add new fingerprints

- (1) Continuously register 2 fingerprints at first time
 - Place any finger on the sensor, waiting blue light to come on for the second time then release your finger.
 - Repeat placing your finger on the sensor, until the green light comes on, the first fingerprint is successfully registered. The green light goes out once and then comes on.
 - Before the green light goes out, press the sensor fingerprint repeatedly to register the second fingerprint. (the fingerprint was registered after the green light goes out)



- (2) Add more fingerprints
 - Place your (registered) finger on the sensor, until the blue comes on then release your finger, you can start recording your fingerprints.
 - Repeat placing your finger on the sensor, until the green light comes on, the fingerprint is successfully registered.

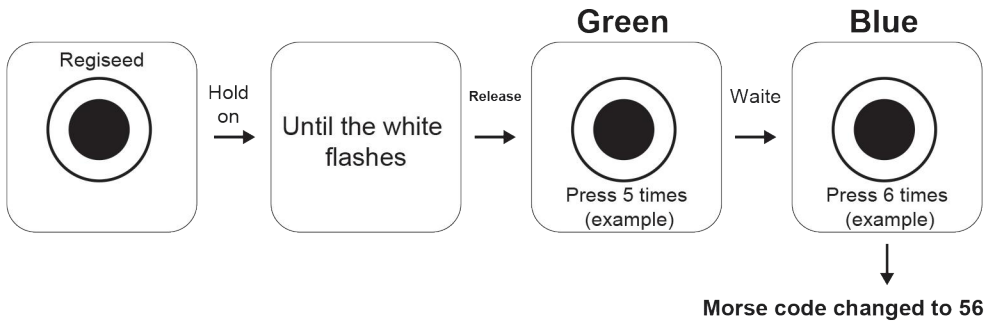


Notes :

- 1) Make sure add the fingerprint before using. Any finger can unlock in the factory setting.
- 2) In order to keep the lock work well, to add no less than 3 fingerprints.

2.Set the Morse code (For example, set 56 as the Morse code)

- Place your (registered) finger on the sensor,until the white light comes on,then release your finger.
- Green light is on,press the sensor continuously for 5 times with any finger,then stop pressing.
- Blue light is on,press the sensor continuously for 6 times with any finger,wait for the light to go out.
- The emergency Morse code was changed to 56.



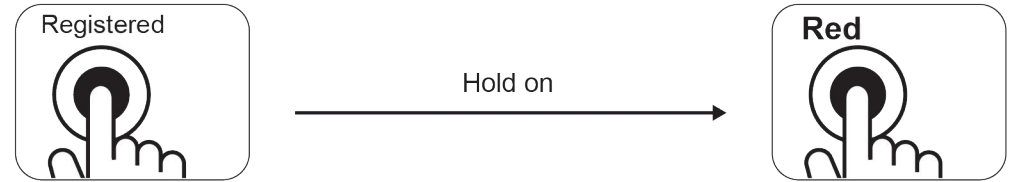
Notes :

- 1)The Morse code only supports two digits.
- 2)The factory default Morse password is 33

3.How to restore the factory Settings

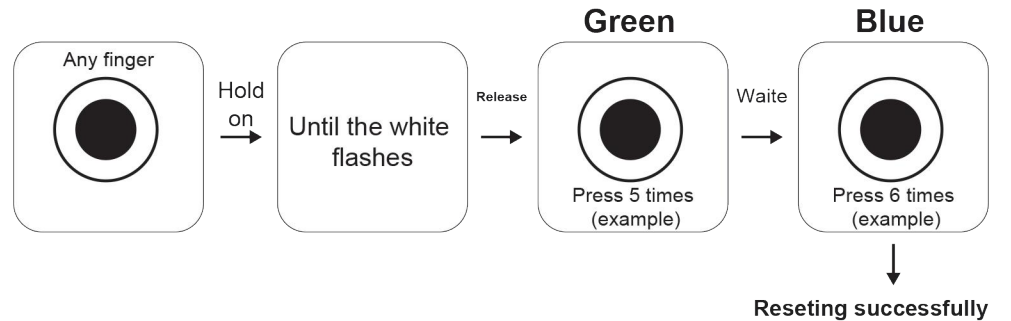
Method 1 : use fingerprint

→Holding with the registered finger until a red light is illuminated, then release your finger,registered fingerprints will be deleted,morse code was reset to 33.



Method 2 : use Morse code (For example, the unlocking password is 56)

- Placing any finger on the sensor ,until the white light comes on,then release your finger.
- Green light is on,press the sensor continuously for 5 times with any finger,then stop pressing.
- Blue light is on,press the sensor continuously for 6 times with any finger,wait for the light to go out.
- Registered fingerprints will be deleted,morse code was reset to 33.



4.Low battery alarm

→When unlocking, the red light flashes continuously, please replace the battery immediately.
 Battery type: 3*AAA alkaline batteries, prohibit the use of carbon batteries.