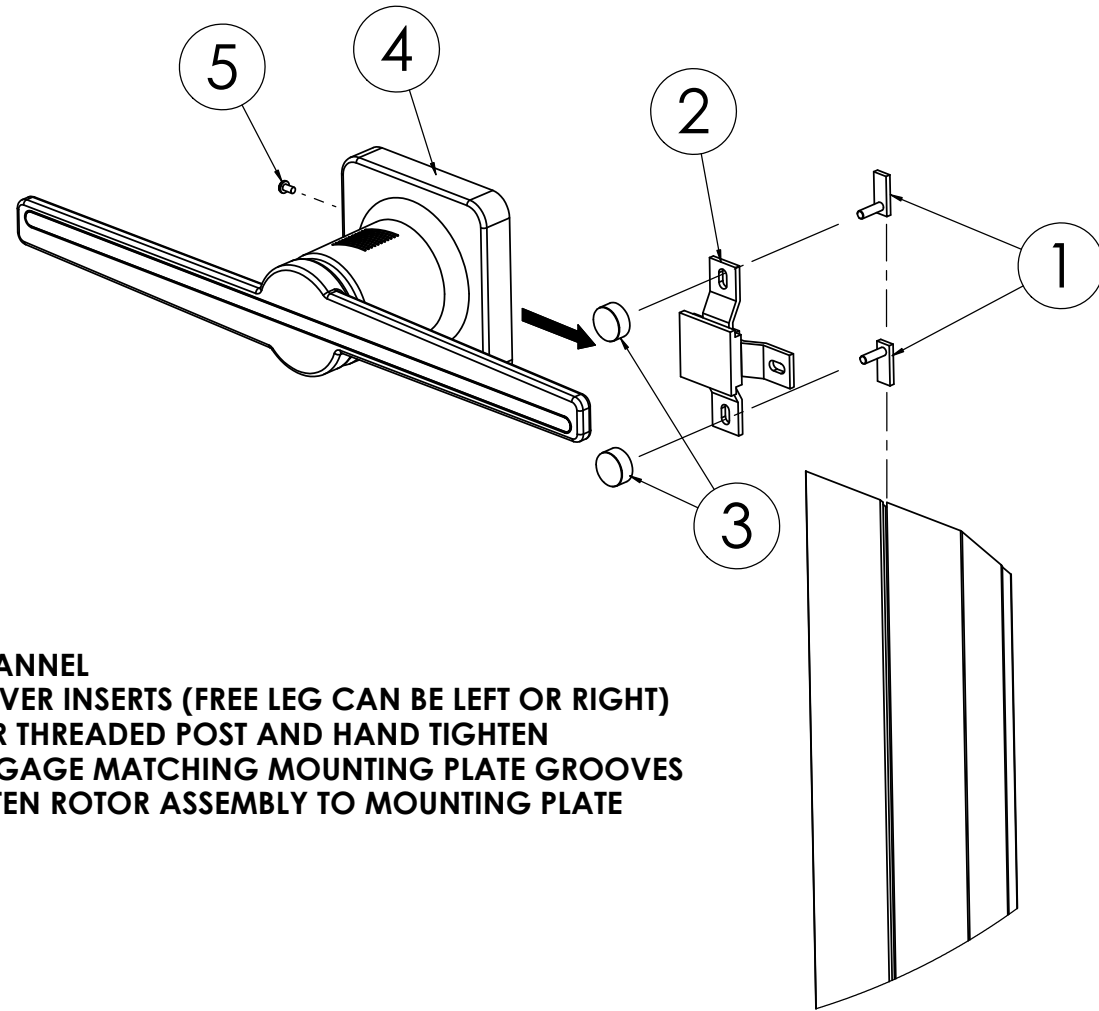
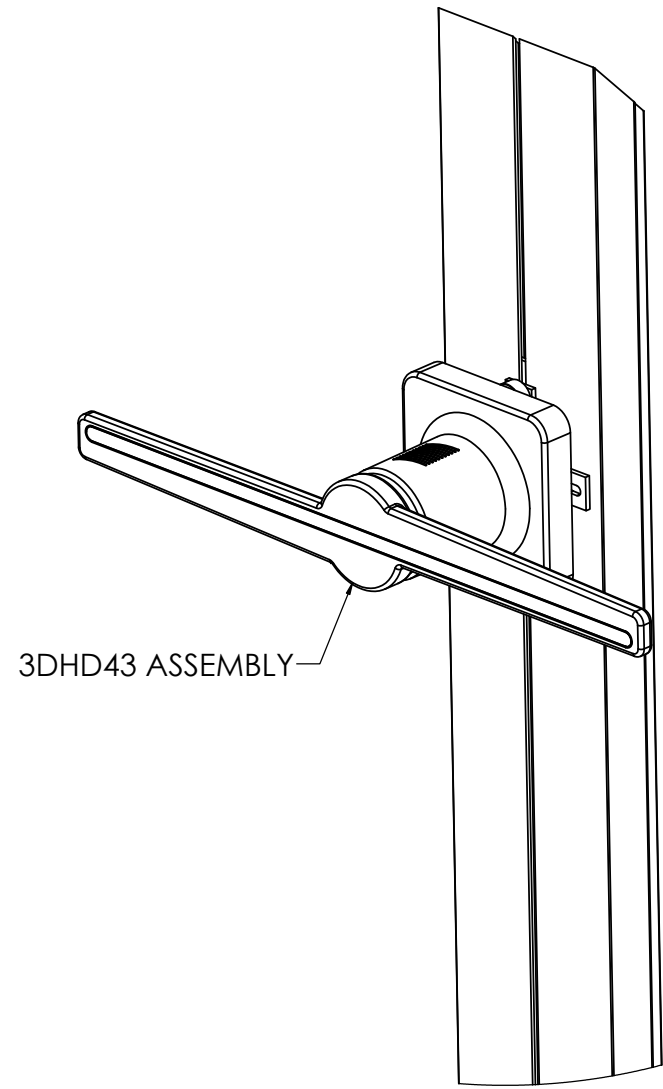


3DHD43 EXTRUSION MOUNTING INSTRUCTION



1. SLIDE INSERTS INTO FRAME CHANNEL
2. PLACE MOUNTING BRACKET OVER INSERTS (FREE LEG CAN BE LEFT OR RIGHT)
3. THREAD KNURLED KNOBS OVER THREADED POST AND HAND TIGHTEN
4. SLIDE ROTOR ASSEMBLY TO ENGAGE MATCHING MOUNTING PLATE GROOVES
5. USE PAN HEAD SCREW TO FASTEN ROTOR ASSEMBLY TO MOUNTING PLATE

<small>FINISH:</small> <small>MATERIAL:</small>		<small>THIRD ANGLE PROJECTION</small> 		<small>PROPERTY</small> <small>THE DOCUMENT AND DATA DISCLOSED HEREIN OR HEREINAFTER NOT TO BE REPRODUCED, USED, OR DISCLOSED IN WHOLE OR IN PART TO ANYONE WITHOUT PERMISSION OF NIEDO GROUP, INC.</small>	
<small>DIMENSIONS ARE IN MILLIMETERS</small> <small>TOLERANCES UNLESS OTHERWISE SPECIFIED</small>		NIEDO GROUP, INC.		5465 SW WESTERN AVE. BEAVERTON, OR 97005	
		EXTRUSION MOUNTING INSTRUCTION 3DHD43			
<small>SIZE</small>	<small>DWG. NO.</small>			<small>REV</small>	
B					
<small>SCALE: 1:50</small>	<small>DO NOT SCALE DRAWING</small>	<small>SHEET</small>		<small>1 OF 1</small>	